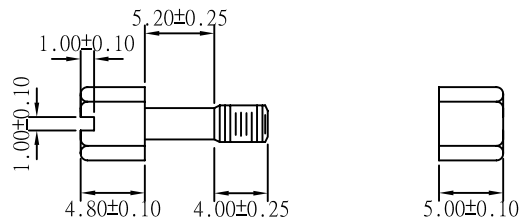
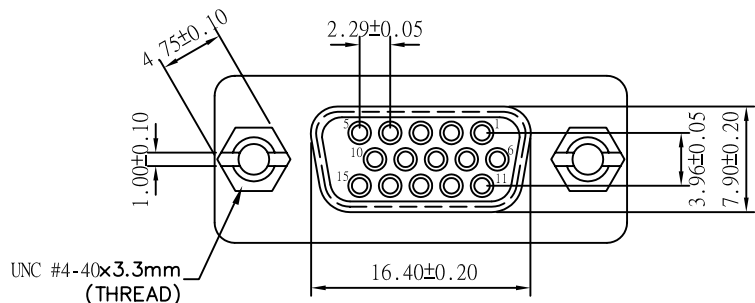
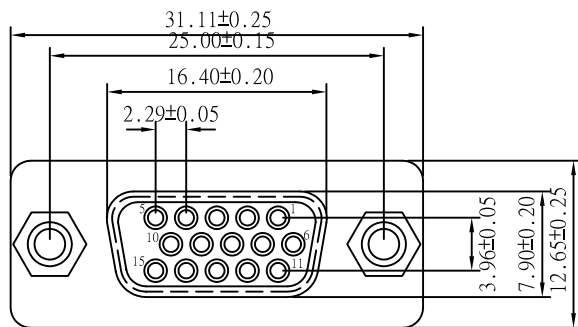
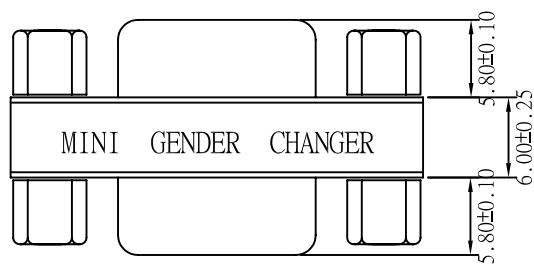
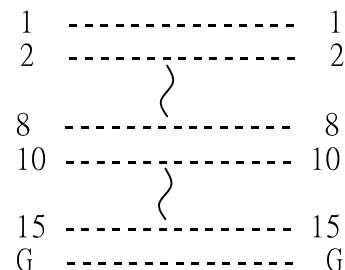


UNC #4-40 Hexscrew    UNC #4-40 Hexnut



HGC 15 F/F GENDER CHANGER  
PIN OUT: 15Female

15Female



Pin 9 not connected

Label: yellow color with black character  
One side: MINI GENDER CHANGER

The other side: U.S.A. PATENT 5199906 GENDER CHANGER

SPECIFICATION

INSULATOR: PBT Glass fibre reinforced UL 94 V0

CONTACT: Brass

CONTACT PLATING: Gold plated over nickel

SHELL: Tin plated shell

				Edition A2	<b>Maxxtro®</b>			
				SCALE 2:1	UNLESS OTHER-WISE SPECIFIED TOLERANCE: 0.0: ±0.20 0.00: ±0.15 0.000: ±0.05	PART NO. PB-141 + BB-141	DWG NO. TH0015-02	DATE 2008/04/10
	1	修改貼紙(R.O.C. PATENT 64341 <small>GENDER CHANGER</small> 改為MINI GENDER CHANGER)	2001/12/7	UNIT mm				
Customer	REVISION	DESCRIPTION	DATE	Page 1/1		DRAWN <i>Fu Hao</i>	CHECKED	APPRD