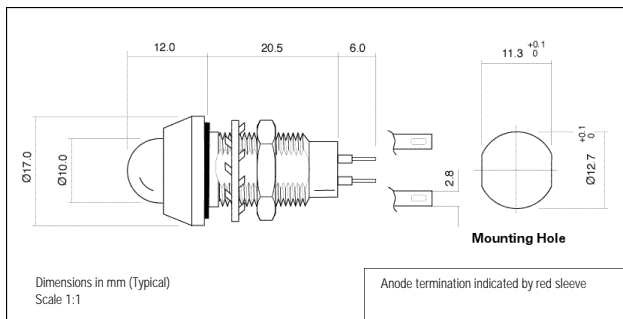


● PROFESSIONAL LED INDICATORS - Ø 12.7mm Mounting



- Black anodised aluminium housing
- Full internal potting making the product ideal for use in arduous environments
- Excellent wide viewing angle characteristics
- Sealed to IP67



651 SERIES

MLQ = 10

Ordering Information & Typical Technical Characteristics (Ta = 25°C)

Mean Time Between Failure = 100,000 Hours. Luminous intensity figures refer to the unmodified discrete LED.

| PART NUMBER | COLOUR | LENS | VOLTAGE DC Vopr | CURRENT DC Iopr | LUMINOUS INTENSITY Iv@20mA | WAVE LENGTH p | VIEWING ANGLE | OPERATING TEMP Topr | STORAGE TEMP Tstg |
|---------------------------|--------|-------------------|-----------------|-----------------|----------------------------|---------------|---------------|---------------------|-------------------|
| STANDARD INTENSITY | | | | | | | | | |
| 651-105-04 | Red | Coloured Diffused | 2.0* | 20 | 90 | 625 | Wide | -20 ~ +60 | -30 ~ +85 |
| 651-111-04 | Yellow | | 2.1* | 20 | 40 | 590 | | | |
| 651-114-04 | Green | | 2.2* | 20 | 40 | 565 | | | |
| 651-105-21 | Red | | 12 | 20 | 90 | 625 | | | |
| 651-111-21 | Yellow | | 12 | 20 | 40 | 590 | | | |
| 651-114-21 | Green | | 12 | 20 | 40 | 565 | | | |
| 651-105-22 | Red | | 24 | 20 | 90 | 625 | | | |
| 651-111-22 | Yellow | | 24 | 20 | 40 | 590 | | | |
| 651-114-22 | Green | | 24 | 20 | 40 | 565 | | | |
| HIGH INTENSITY | | | | | | | | | |
| 651-102-04 | Red | Coloured Diffused | 1.9* | 20 | 500 | 660 | Wide | -20 ~ +60 | -30 ~ +85 |
| 651-102-21 | Red | | 12 | 20 | 500 | 660 | | | |
| 651-102-22 | Red | | 24 | 20 | 500 | 660 | | | |
| UNITS | | | Vdc | mA | mcd | nm | | °C | °C |

* = Voltage DC for 20mA product is Vf@20mA, not Vopr

Please note - This product is also available at 28 and 110Vdc, 110 and 230Vac. Indicators supplied at voltages above 75Vdc must be used with insulated terminations or ordered with flying leads to comply with the Low Voltage Directive. Please contact our Sales department for further details.

● SAMPLES AVAILABLE