

Customer Information Sheet

DRAWING No.: M50-390XX42

SHEET 2 OF 2

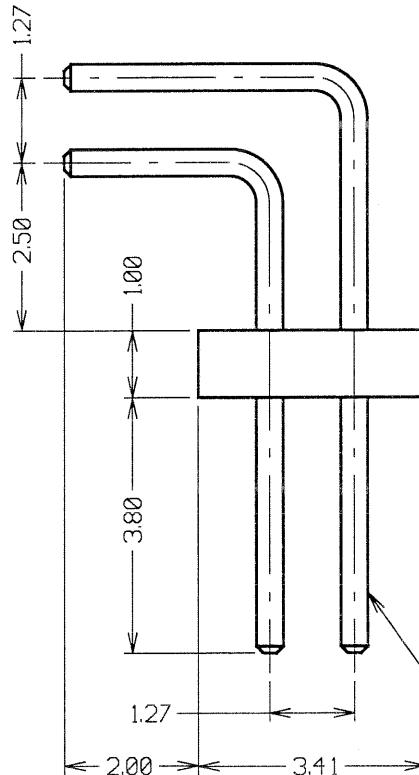
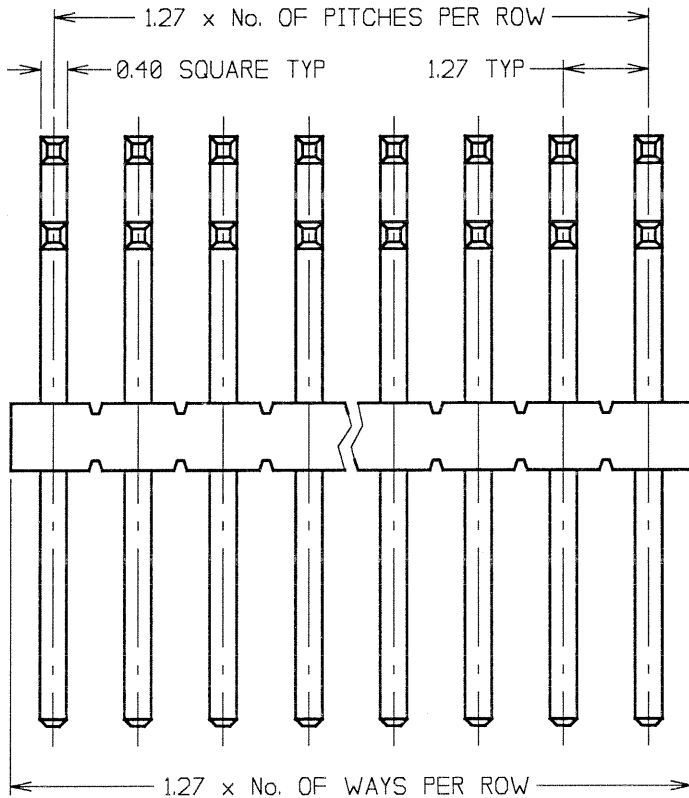
IF IN DOUBT - ASK

©

NOT TO SCALE

THIRD ANGLE PROJECTION

ALL DIMENSIONS IN mm



SPECIFICATIONS:

MATERIAL:

MOULDING = NYLON-6T UL94V-0

CONTACT = PHOSPHOR BRONZE

FINISH:

CONTACT = 0.02-0.08µ GOLD ON CONTACT AREA,
2.5-3.8µ 100% TIN ON TAILS

ELECTRICAL:

CURRENT RATING (ALL CONTACTS ARE
ELECTRICALLY LOADED) = 1 AMP

CONTACT RESISTANCE = 30 MILLIOHMS MAX
INSULATION RESISTANCE = 5000 MEGOHMS MIN
DIELECTRIC WITHSTANDING = 600V AC MIN

MECHANICAL:

PIN RETENTION = 4.4N MIN
SOLDERABILITY = 250°C FOR 3 TO 5 SECONDS
DURABILITY = 600 CYCLES

ENVIRONMENTAL:

TEMPERATURE RANGE = -40°C TO +105°C

PACKING:

TRAY

FOR COMPLETE SPECIFICATION, SEE COMPONENT
SPECIFICATION C029XX (LATEST ISSUE).

SELECTIVE GOLD
IN THIS AREA

ORDER CODE:

M50-390XX42

No. OF WAYS PER ROW
01 TO 50

FINISH:

42 = SELECTIVE GOLD + 100% TIN

NOTES:

- ALL TOLERANCES ARE ±0.25 UNLESS OTHERWISE STATED.
- RECOMMENDED HOLE SIZE = $\varnothing 0.65 \pm 0.05\text{mm}$.

JMB	8	07.04.06	9151
NAME	ISS.	DATE	C/NOTE
APPROVED: <i>[Signature]</i>			
CHECKED: <i>[Signature]</i>			
DRAWN:		J. KEIR	
CUSTOMER REF.:			
ASSEMBLY DRG:			

HARWIN

THIS DRAWING AND ANY INFORMATION OR DESCRIPTIVE MATTER SET OUT HEREON ARE CONFIDENTIAL AND COPYRIGHT PROPERTY OF THE HARWIN GROUP AND MUST NOT BE DISCLOSED, LOANED, COPIED OR USED FOR MANUFACTURING, TENDERING OR FOR ANY OTHER PURPOSE WITHOUT THEIR WRITTEN PERMISSION.

TOLERANCES
X - ±1mm
X.X - ±0.25mm
X.XX - ±0.10mm
X.XXX - ±0.01mm
ANGLES = ±5°
UNLESS STATED

MATERIAL:

SEE ABOVE

FINISH: SEE ABOVE

S/AREA: mm²

TITLE:

1.27mm PITCH DIL HORIZONTAL
PIN HEADER

DRAWING NUMBER:

M50-390XX42

HARWIN USA
TEL: 603 893 5376
FAX: 603 893 5396
mis@harwin.com

HARWIN Europe (UK)
TEL: 023 9231 4545
FAX: 023 9231 4590
mis@harwin.co.uk

HARWIN Asia
TEL: +65 6 779 4909
FAX: +65 6 779 3868
mis@harwin.com.sg

SHT
2
OF
2