



III.sel.switch act.,3 pos.,blue



Powering Business Worldwide™


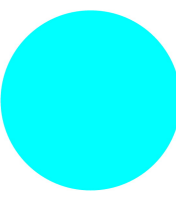
Part no. M22-WRLK3-B

Article no. 216851

Bezel gold-plated →#274150

Stay-put/spring-return function, can be changed with coding parts M22-XC-Y Engineering



Program

Range			RMQ-Titan (drilling dimensions 22.5 mm)
Basic function			Illuminated selector switch actuator
Single unit/Complete unit			Single unit
Description			3 positions Stay-put/spring-return function, can be changed with coding parts M22-XC-Y
Function			maintained  left: 60° right: 60°
Design			With thumb-grip
Colour			
			Blue
Protection type			IP66
Front ring			Front ring: titanium
Connection to SmartWire-DT			yes

Approbationen

UL approval	Yes
CSA approval	Yes
Product Standards	IEC/EN 60947-5; UL 508; CSA-C22.2 No. 14-05; CSA-C22.2 No. 94-91; CE marking
UL File No.	E29184
UL CCN	NKCR
CSA File No.	012528
CSA Class No.	3211-03
NA Certification	UL listed, CSA certified
Degree of Protection	UL/CSA Type 3R, 4X, 12, 13

General

Standards			IEC/EN 60947 VDE 0660
Lifespan, mechanical	Operations	x 10 ⁶	> 0.1
Operating frequency	Operations/ h		 2000
Operating torque		Nm	 0.3
Protection type			IP66
Climatic proofing			Damp heat, constant to IEC 60068-2-78 Damp heat, cyclic to IEC 60068-2-30
Ambient temperature		°C	
Open		°C	- 25 - + 70
Mounting position			As required
Mechanical shock resistance		g	30 Shock duration 11 ms Sinusoidal according to IEC 60068-2-27

Technical data according to ETIM 4.0

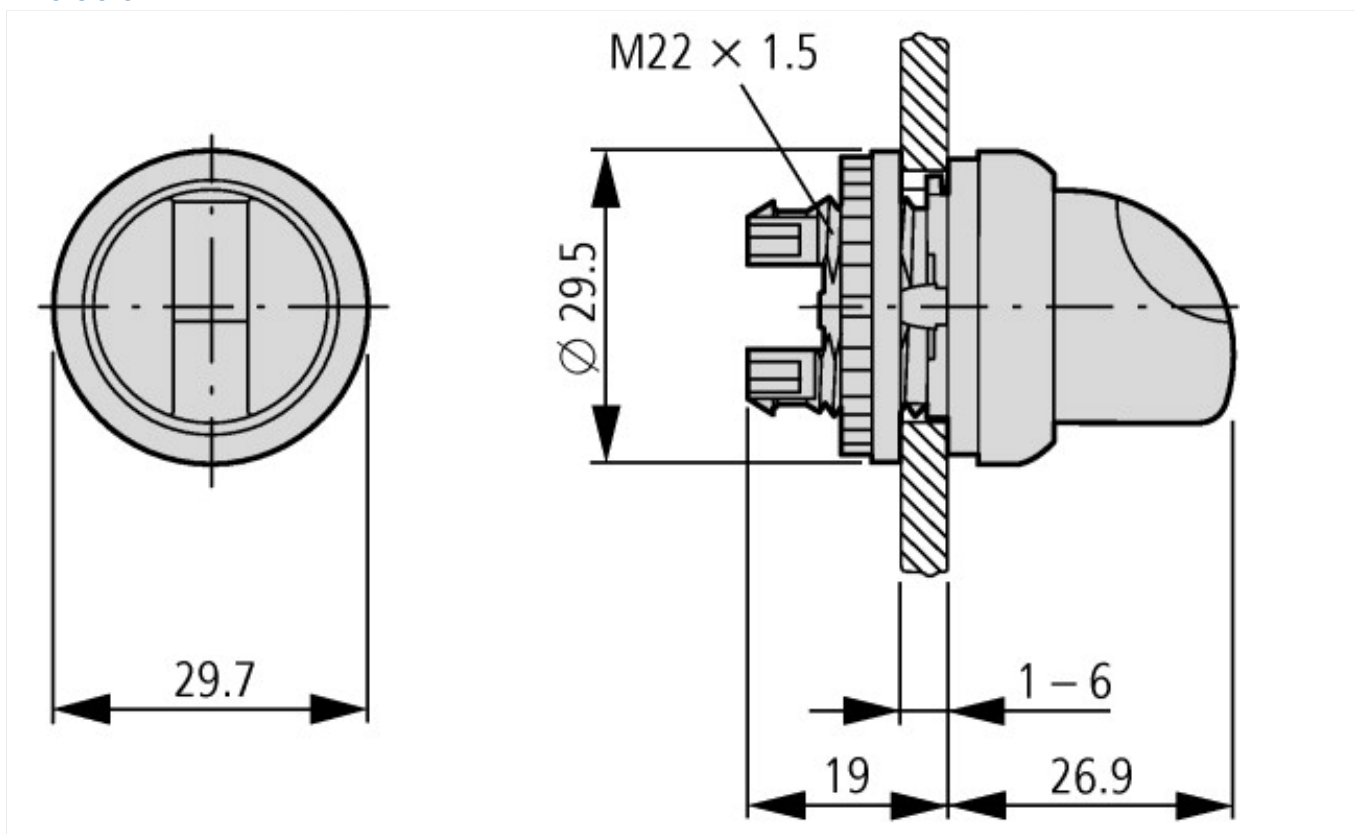
Color bezel			Chrome
Suitable for illumination			YES
Lens design			Round
Protection type (IP), at front			IP66
Material front ring			Insulated material
Momentary			No
Number of switch positions			3
Color actuator			blue
Hole diameter		mm	22
With bezel			YES
Width of opening		mm	22
Height meter opening		mm	6

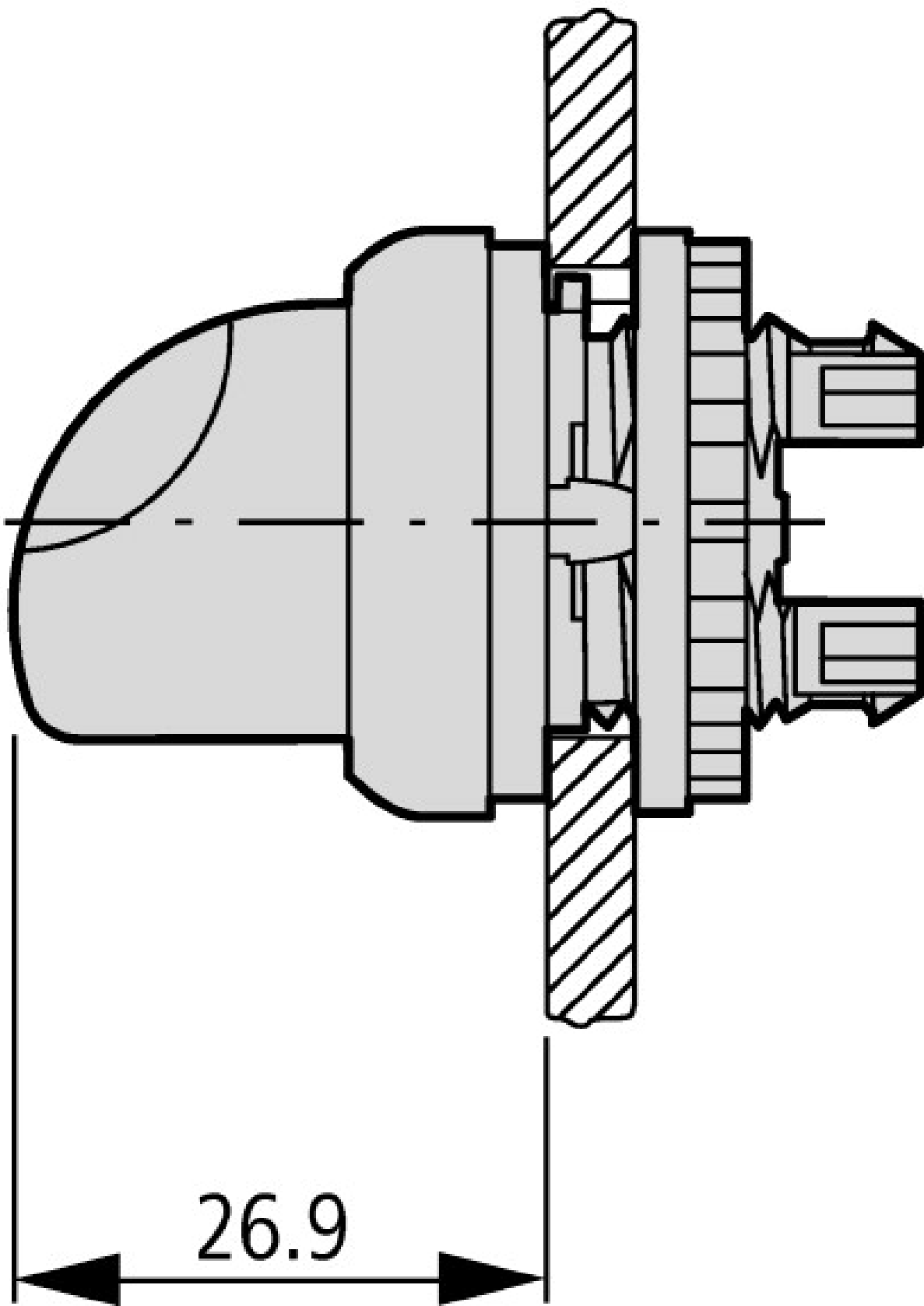
CAD-Data

Product standards CAD data:

<http://eaton-moeller.partcommunity.com>

Dimensions





Additional product information (links)

IL04716002Z (AWA1160-1745) RMQ-Titan System	ftp://ftp.moeller.net/DOCUMENTATION/AWA_INSTRUCTIONS/IL04716002Z2011_03.pdf
Engineering	
Key to part numbers	ftp://ftp.moeller.net/DOCUMENTATION/PDF/GB/TYPENSCHLUESSEL_RMQ-TITAN_de.pdf
Engineering	ftp://ftp.moeller.net/DOCUMENTATION/PDF/GB/PRO_RMQTitan_D_de.pdf
Ordering example for custom complete units	ftp://ftp.moeller.net/DOCUMENTATION/PDF/GB/Bestellbeispiel_F0315_COMBINATION_de.pdf
Order form for custom complete units	ftp://ftp.moeller.net/DOCUMENTATION/PDF/GB/FORM_F0315_Combination_de.pdf