



III.sel.switch act.,2 pos.,blue



Powering Business Worldwide™


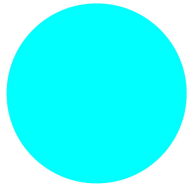
Part no. M22-WRLK-B

Article no. 216831

Bezel gold-plated →#274150

Stay-put/spring-return function, can be changed with coding parts M22-XC-Y Engineering



Program

Range			RMQ-Titan (drilling dimensions 22.5 mm)
Basic function			Illuminated selector switch actuator
Single unit/Complete unit			Single unit
Description			Two positions Stay-put/spring-return function, can be changed with coding parts M22-XC-Y
Function			maintained  right: 60°
Design			With thumb-grip
Colour			
			Blue
Protection type			IP66
Front ring			Front ring: titanium
Connection to SmartWire-DT			yes

Approbationen

UL approval	Yes
CSA approval	Yes
Product Standards	IEC/EN 60947-5; UL 508; CSA-C22.2 No. 14-05; CSA-C22.2 No. 94-91; CE marking
UL File No.	E29184
UL CCN	NKCR
CSA File No.	012528
CSA Class No.	3211-03
NA Certification	UL listed, CSA certified
Degree of Protection	UL/CSA Type 3R, 4X, 12, 13

General

Standards			IEC/EN 60947 VDE 0660
Lifespan, mechanical	Operations	x 10 ⁶	> 0.1
Operating frequency	Operations/ h		 2000
Operating torque		Nm	 0.3
Protection type			IP66
Climatic proofing			Damp heat, constant to IEC 60068-2-78 Damp heat, cyclic to IEC 60068-2-30
Ambient temperature		°C	
Open		°C	- 25 - + 70
Mounting position			As required
Mechanical shock resistance		g	30 Shock duration 11 ms Sinusoidal according to IEC 60068-2-27

Technical data according to ETIM 4.0

Color bezel			Chrome
-------------	--	--	--------

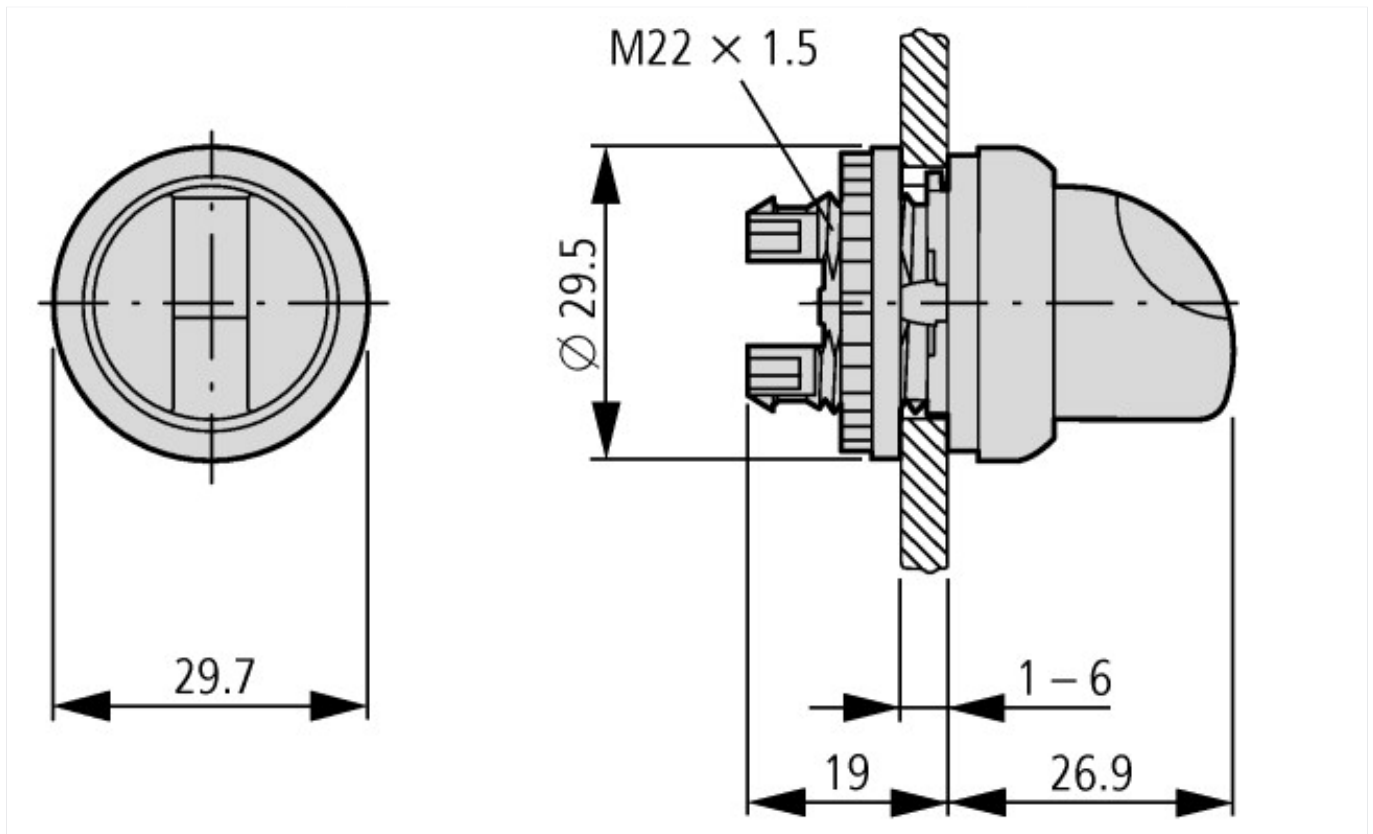
Suitable for illumination			YES
Lens design			Round
Protection type (IP), at front			IP66
Material front ring			Insulated material
Momentary			No
Number of switch positions			2
Color actuator			blue
Hole diameter		mm	22
With bezel			YES
Width of opening		mm	22
Height meter opening		mm	6

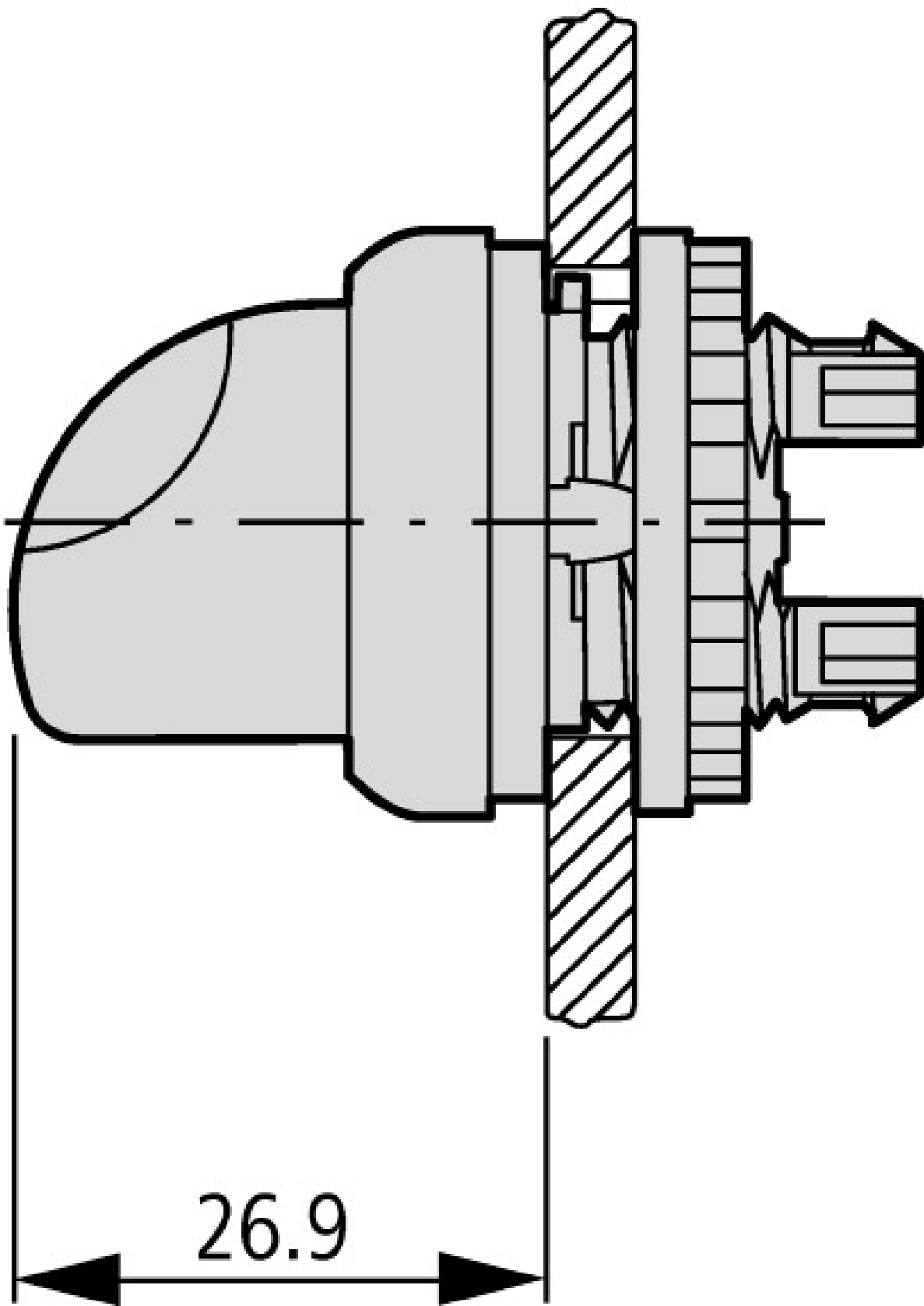
CAD-Data

Product standards CAD data:

<http://eaton-moeller.partcommunity.com>

Dimensions





Additional product information (links)

IL04716002Z (AWA1160-1745) RMQ-Titan System	ftp://ftp.moeller.net/DOCUMENTATION/AWA_INSTRUCTIONS/IL04716002Z2011_03.pdf
Engineering	
Key to part numbers	ftp://ftp.moeller.net/DOCUMENTATION/PDF/GB/TYPENSCHLUESSEL_RMQ-TITAN_de.pdf
Engineering	ftp://ftp.moeller.net/DOCUMENTATION/PDF/GB/PRO_RMQTitan_D_de.pdf
Ordering example for custom complete units	ftp://ftp.moeller.net/DOCUMENTATION/PDF/GB/Bestellbeispiel_F0315_COMBINATION_de.pdf
Order form for custom complete units	ftp://ftp.moeller.net/DOCUMENTATION/PDF/GB/FORM_F0315_Combination_de.pdf