



**Sel.switch,2 pos.,inscript.**

**Part no.**

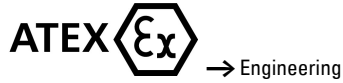
**M22-WR-X91**

**Article no.**

**216859**





Powering Business Worldwide™



Front ring gold-plated, →#274150



### Program

Range			RMQ-Titan (drilling dimensions 22.5 mm)
Basic function			Selector switch actuators
Single unit/Complete unit			Single unit
Description			Two positions
Function			maintained  right: 60°
Design			With rotary head
Button plate			<b>AUTO HAND</b> 
Inscription			AUTO HAND
Front ring			Front ring: titanium
Connection to SmartWire-DT			yes

### Approbationen

UL approval	Yes
CSA approval	Yes
Product Standards	IEC/EN 60947-5; UL 508; CSA-C22.2 No. 14-05; CSA-C22.2 No. 94-91; CE marking
UL File No.	E29184
UL CCN	NKCR
CSA File No.	012528
CSA Class No.	3211-03
NA Certification	UL listed, CSA certified
Degree of Protection	UL/CSA Type 3R, 4X, 12, 13

### General

Standards			IEC/EN 60947 VDE 0660
Lifespan, mechanical	Operations	x 10 <sup>6</sup>	> 0.1
Operating frequency	Operations/ h		 2000
Operating torque (screw terminals)		Nm	 0.3
Protection type			IP66
Climatic proofing			Damp heat, constant to IEC 60068-2-78 Damp heat, cyclic to IEC 60068-2-30
Ambient temperature		°C	
Open		°C	- 25 - + 70
Storage		°C	- 40 - + 80
Mounting position			As required
Mechanical shock resistance		g	30 Shock duration 11 ms Sinusoidal according to IEC 60068-2-27
Indoor and protected outdoor installation			

### Technical data according to ETIM 4.0

Color bezel			Chrome
-------------	--	--	--------

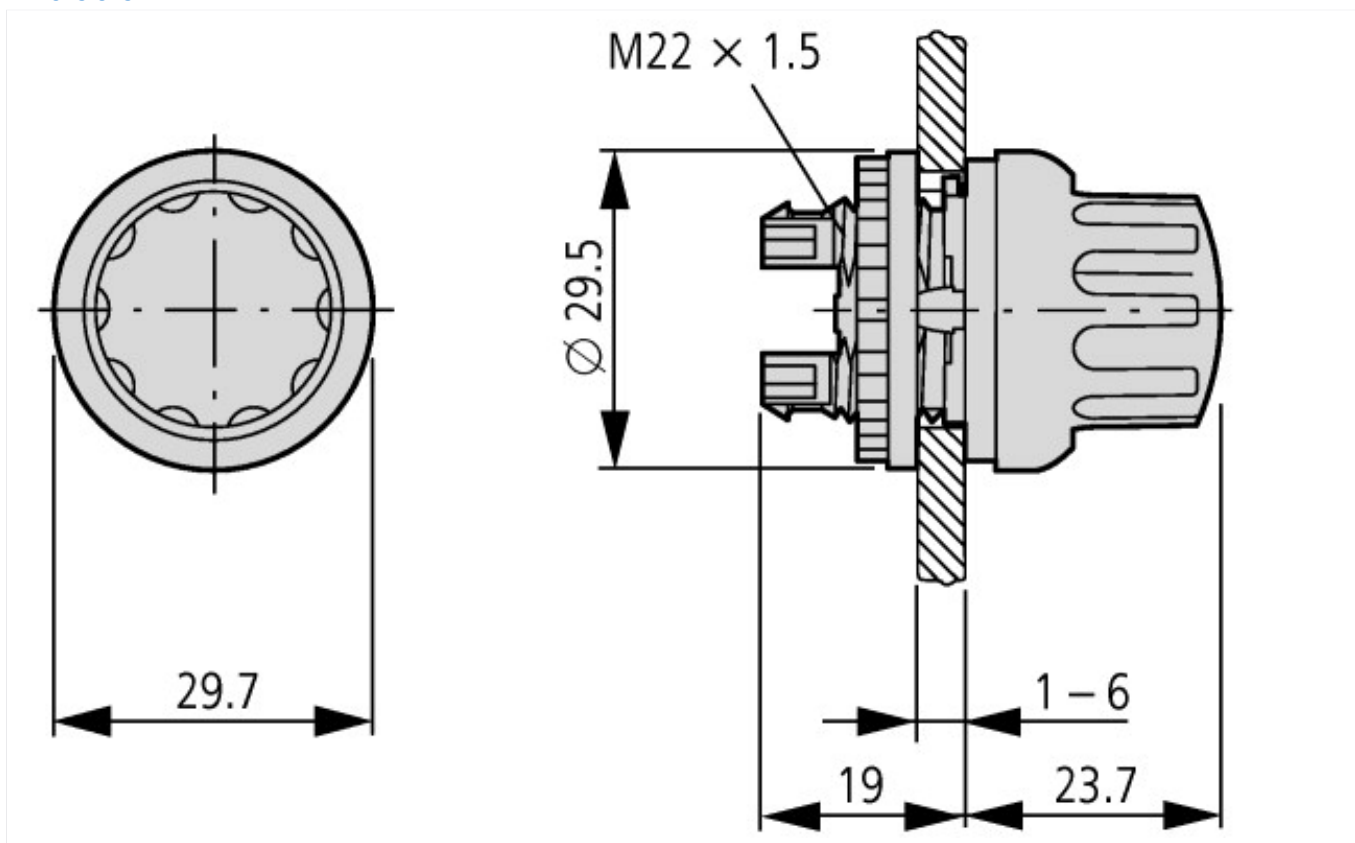
Suitable for illumination			No
Lens design			Round
Protection type (IP), at front			IP66
Material front ring			Insulated material
Momentary			No
Number of switch positions			2
Color actuator			black
Hole diameter		mm	22
With bezel			YES
Width of opening		mm	22
Height meter opening		mm	6

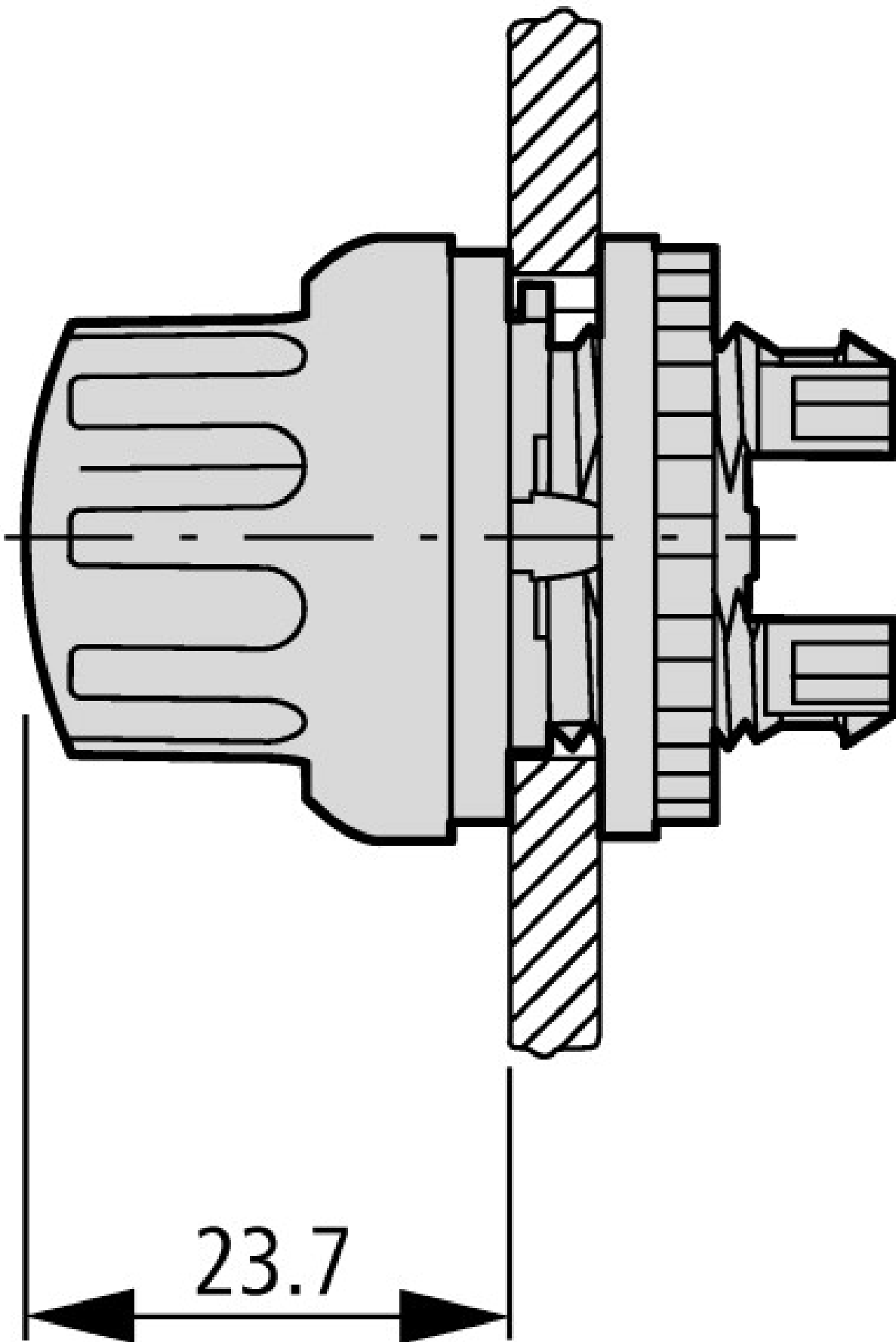
## CAD-Data

Product standards CAD data:

<http://eaton-moeller.partcommunity.com>

## Dimensions





#### Additional product information (links)

IL04716002Z (AWA1160-1745) RMQ-Titan System	<a href="ftp://ftp.moeller.net/DOCUMENTATION/AWA_INSTRUCTIONS/IL04716002Z2011_03.pdf">ftp://ftp.moeller.net/DOCUMENTATION/AWA_INSTRUCTIONS/IL04716002Z2011_03.pdf</a>
<b>Engineering</b>	
Key to part numbers	<a href="ftp://ftp.moeller.net/DOCUMENTATION/PDF/GB/TYPENSCHLUESSEL_RMQ-TITAN_de.pdf">ftp://ftp.moeller.net/DOCUMENTATION/PDF/GB/TYPENSCHLUESSEL_RMQ-TITAN_de.pdf</a>
Engineering	<a href="ftp://ftp.moeller.net/DOCUMENTATION/PDF/GB/PRO_RMQTitan_D_de.pdf">ftp://ftp.moeller.net/DOCUMENTATION/PDF/GB/PRO_RMQTitan_D_de.pdf</a>
Ordering example for custom complete units	<a href="ftp://ftp.moeller.net/DOCUMENTATION/PDF/GB/Bestellbeispiel_F0315_COMBINATION_de.pdf">ftp://ftp.moeller.net/DOCUMENTATION/PDF/GB/Bestellbeispiel_F0315_COMBINATION_de.pdf</a>
Order form for custom complete units	<a href="ftp://ftp.moeller.net/DOCUMENTATION/PDF/GB/Form_F0315_Combination_de.pdf">ftp://ftp.moeller.net/DOCUMENTATION/PDF/GB/Form_F0315_Combination_de.pdf</a>

