



Plaster key set

Part no.
Article no.

M22-UPE
216554



Powering Business Worldwide™

Program

Range			RMQ-Titan (drilling dimensions 22.5 mm)
Basic function			Accessories
Accessories			Surface mounting enclosure
Basic function accessories			Set of plaster keys
Single unit/Complete unit			Single unit
			Comprising two plaster keys as mounting aids
Function			For plastering of shrouds
Front ring			Front ring: titanium
Connection to SmartWire-DT			no

Approbationen

UL approval	Yes
CSA approval	Yes
Product Standards	IEC/EN 60947-5; UL 508; CSA-C22.2 No. 14-05; CSA-C22.2 No. 94-91; CE marking
UL File No.	E29184
UL CCN	NKCR
CSA File No.	012528
CSA Class No.	3211-03
NA Certification	UL listed, CSA certified
Degree of Protection	UL/CSA Type 3R, 4X, 12, 13

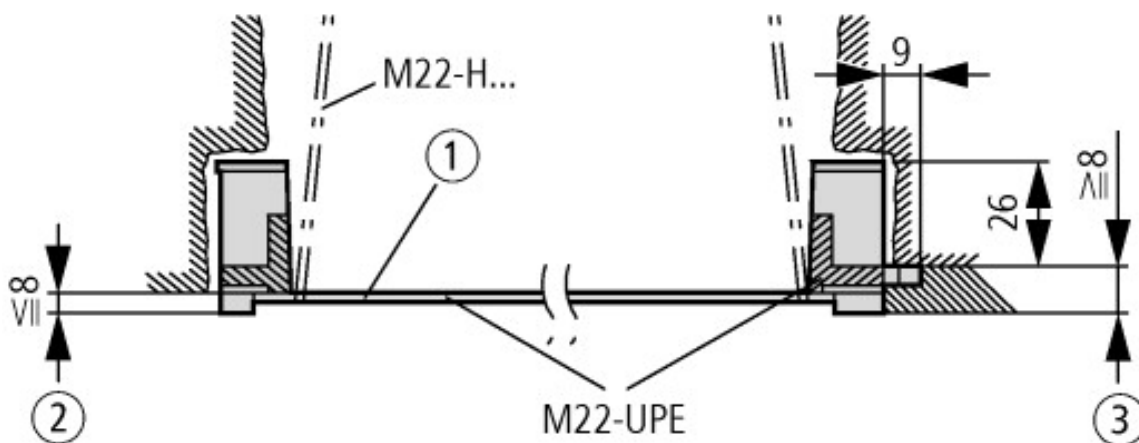
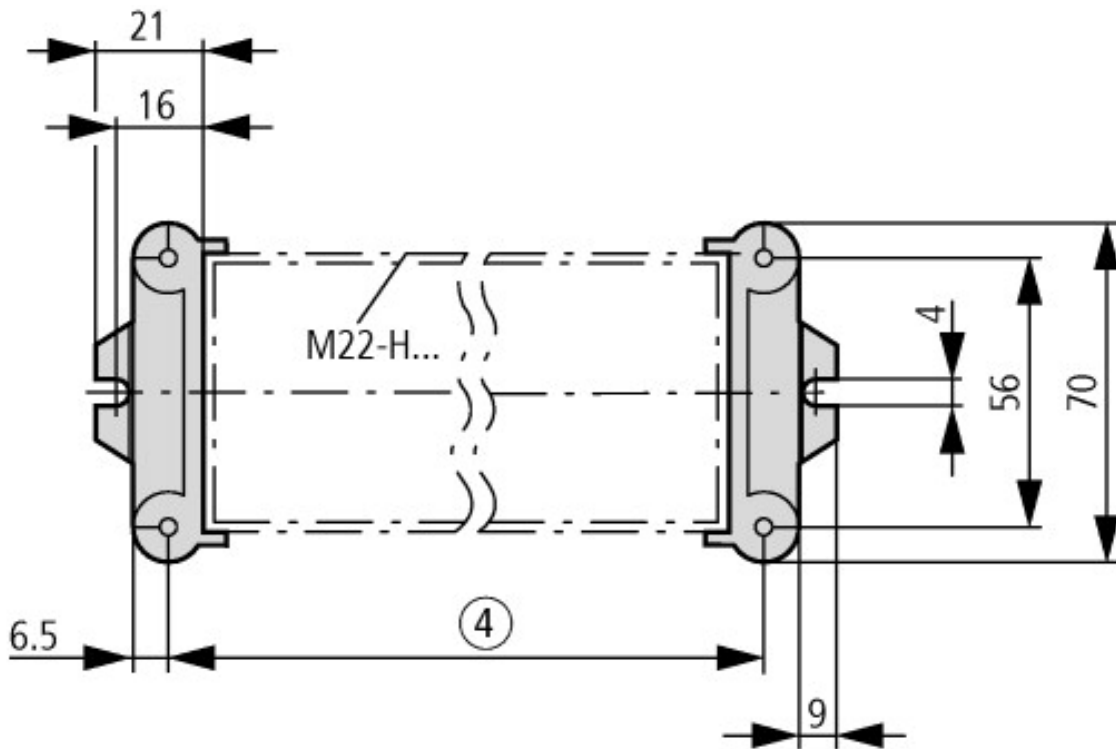
Technical data according to ETIM 4.0

Type of mechanical accessory			-
Type of electrical accessory			-

CAD-Data

Product standards CAD data: <http://eaton-moeller.partcommunity.com>

Dimensions



- ① Blanking card for chasing in wall
- ② Plaster thickness less than 8 mm
- ③ Plaster thickness more than 8 mm
- ④ Hole spacing in flush mounting plate

- ① Box for closing off when plastering
- ② Plaster thickness less than 8 mm
- ③ Plaster thickness more than 8 mm

Additional product information (links)

AWA1160-1746 (IL04716003Z) RMQ-Titan System	ftp://ftp.moeller.net/DOCUMENTATION/AWA_INSTRUCTIONS/17460805.pdf
Engineering	
Key to part numbers	ftp://ftp.moeller.net/DOCUMENTATION/PDF/GB/TYPENSCHLUESSEL_RM-Q-TITAN_de.pdf
Engineering	ftp://ftp.moeller.net/DOCUMENTATION/PDF/GB/PRO_RMQTitan_D_de.pdf
Ordering example for custom complete units	ftp://ftp.moeller.net/DOCUMENTATION/PDF/GB/Bestellbeispiel_F0315_COMBINATION_de.pdf
Order form for custom complete units	ftp://ftp.moeller.net/DOCUMENTATION/PDF/GB/Form_F0315_Combination_de.pdf