



Sealable shroud

Part no. M22-PL-PV

Article no. 216397



Powering Business Worldwide™

Program

Range			RMQ-Titan (drilling dimensions 22.5 mm)
Basic function			Accessories
Accessories			Sealable shroud
Single unit/Complete unit			Single unit
			For devices with mushroom diameter 38 mm transparent with collapse point, can be reused after Emergency-Stop, Emergency switching off operation. with grid 30 x 50 mm the drilling dimensions can be closed with M22(S)-B blanking plug
Front ring			Front ring: titanium
Connection to SmartWire-DT			no

Approbationen

UL approval	N
CSA approval	N
Degree of Protection	UL/CSA Type 3R, 4X, 12, 13

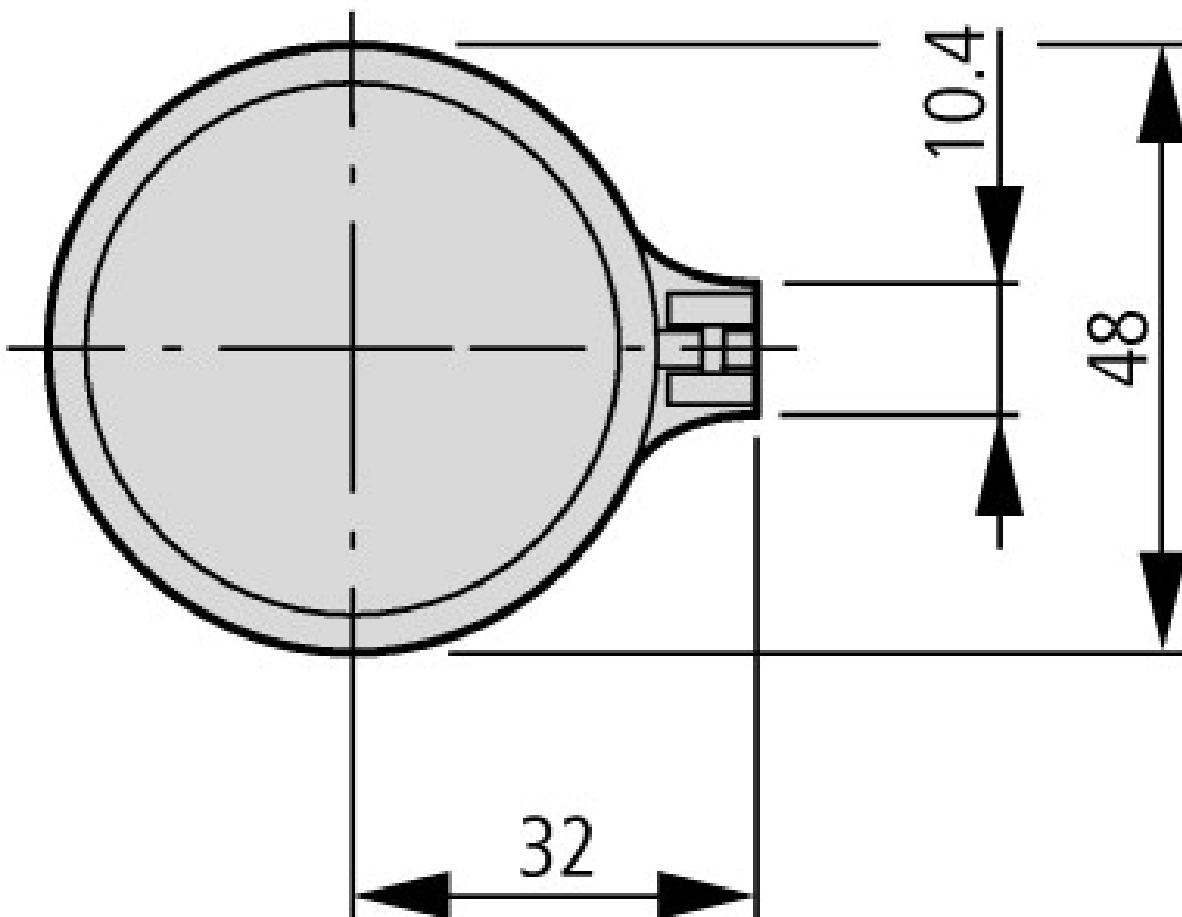
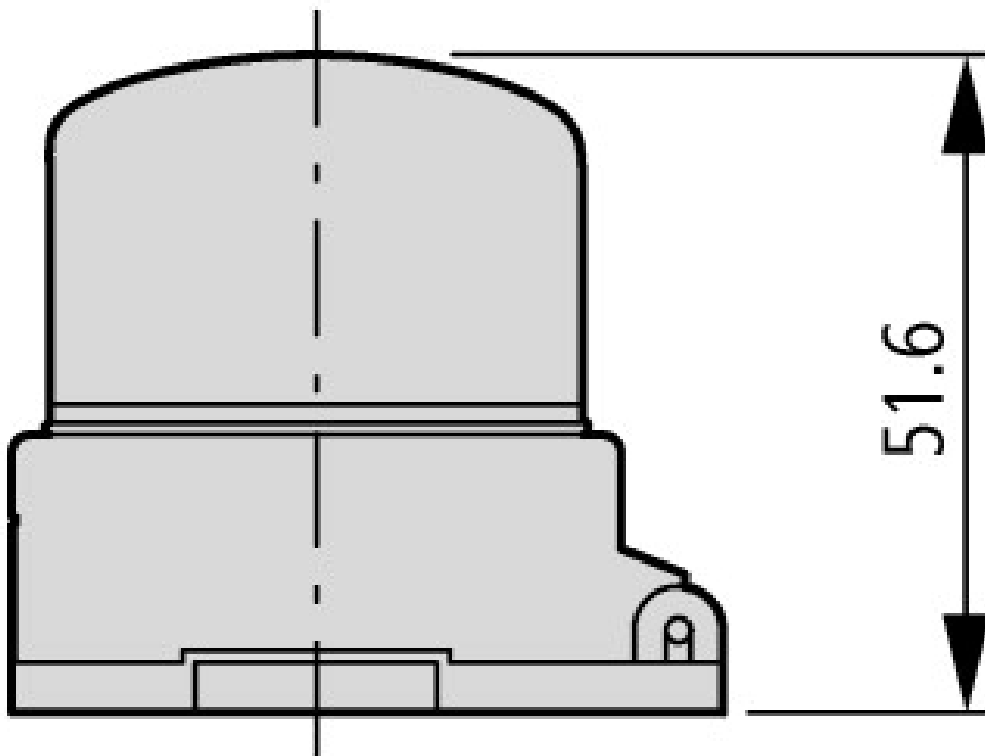
Technical data according to ETIM 4.0

Color			Transparent
Form			Round

CAD-Data

Product standards CAD data: <http://eaton-moeller.partcommunity.com>

Dimensions



Additional product information (links)

IL04716002Z (AWA1160-1745) RMO-Titan System

ftp://ftp.moeller.net/DOCUMENTATION/AWA_INSTRUCTIONS/IL04716002Z2011_03.pdf

Engineering

Key to part numbers

ftp://ftp.moeller.net/DOCUMENTATION/PDF/GB/TYPENSCHLUESSEL_RMO-TITAN_de.pdf

Engineering

ftp://ftp.moeller.net/DOCUMENTATION/PDF/GB/PRO_RMOTitan_D_de.pdf

Ordering example for custom complete units

ftp://ftp.moeller.net/DOCUMENTATION/PDF/GB/Bestellbeispiel_F0315_COMBINATION_de.pdf

Order form for custom complete units

ftp://ftp.moeller.net/DOCUMENTATION/PDF/GB/Form_F0315_Combination_de.pdf

