



LED element,bottom,green



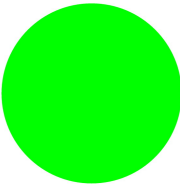
Powering Business Worldwide™

Part no.  
Article no.

M22-LEDC230-G  
216568

→ Engineering

## Program

|                            |            |    |   |
|----------------------------|------------|----|---|
| Range                      |            |    | RMQ-Titan (drilling dimensions 22.5 mm)   |
| Basic function             |            |    | LED elements  |
| Single unit/Complete unit  |            |    | Single unit   |
| Fixing                     |            |    | Base fixing   |
| Connection technique       |            |    | Screw terminals   |
| Rated operational voltage  | $U_e$      | V  | 85 - 264 V AC, 50/60 Hz   |
| Rated operational current  | $I_e$      | mA | 5 - 15  |
| Power consumption          | $P_{max.}$ | W  | 0.33  |
|                            |            |    | At 230 V  |
| Colour                     |            |    |  |
|                            |            |    | Green   |
| Protection type            |            |    | IP20  |
| Front ring                 |            |    | - N/A -   |
| Connection to SmartWire-DT |            |    | no  |

### Notes

For pushbutton actuators, indicator lights, illuminated pushbutton actuators and illuminated selector switch actuators, the following applies:

M22...-R only in combination with M22-LED...-R

M22...-G only in combination with M22-LED...-G

M22...-W only in combination with M22-LED...-W


M22...-Y only in combination with M22-LED...-W

M22...-B in combination with M22-LED...-W or M22-LED...-B

## Approbationen

|                      |  |
|----------------------|--|
| UL approval          | Yes  |
| CSA approval         | Yes  |
| Product Standards    | IEC/EN 60947-5; UL 508; CSA-C22.2 No. 14-05; CSA-C22.2 No. 94-91; CE marking |
| UL File No.          | E29184   |
| UL CCN               | NKCR   |
| CSA File No.         | 012528   |
| CSA Class No.        | 3211-03  |
| NA Certification     | UL listed, CSA certified   |
| Degree of Protection | UL/CSA Type: -   |

## General

|                                    |  |    |   |
|------------------------------------|--|----|---|
| Standards                          |  |    | IEC/EN 60947<br>VDE 0660  |
| Operating torque (screw terminals) |  | Nm |  0.8 |
| Protection type                    |  |    | IP20  |
| Climatic proofing                  |  |    | Damp heat, constant to IEC 60068-2-78<br>Damp heat, cyclic to IEC 60068-2-30            |

|                             |  |                 |   |
|-----------------------------|--|-----------------|---|
| Ambient temperature         |  | °C              |   |
| Open                        |  | °C              | - 25 - + 70   |
| Storage                     |  | °C              | - 40 - + 80   |
| Mounting position           |  |                 | As required   |
| Mechanical shock resistance |  | g               | 30<br>Shock duration 11 ms<br>Sinusoidal<br>according to IEC 60068-2-27 |
| Terminal capacities         |  | mm <sup>2</sup> |   |
| Solid                       |  | mm <sup>2</sup> | 0.75 - 2.5  |
| Stranded                    |  | mm <sup>2</sup> | 0.5 - 2.5   |

### Contacts

|                                       |                  |         |       |
|---------------------------------------|------------------|---------|-------|
| Rated impulse withstand voltage       | U <sub>imp</sub> | V<br>AC | 6000  |
| Rated insulation voltage              | U <sub>i</sub>   | V       | 500   |
| Overvoltage category/pollution degree |                  |         | III/3 |

### Notes

|   |  |  |  |
|---|--|--|--|
| <b>Notes</b> > 200 V AC/60 Hz: -25/+55 °C |  |  |  |
| Indoor and protected outdoor installation |  |  |  |

### Technical data according to ETIM 4.0

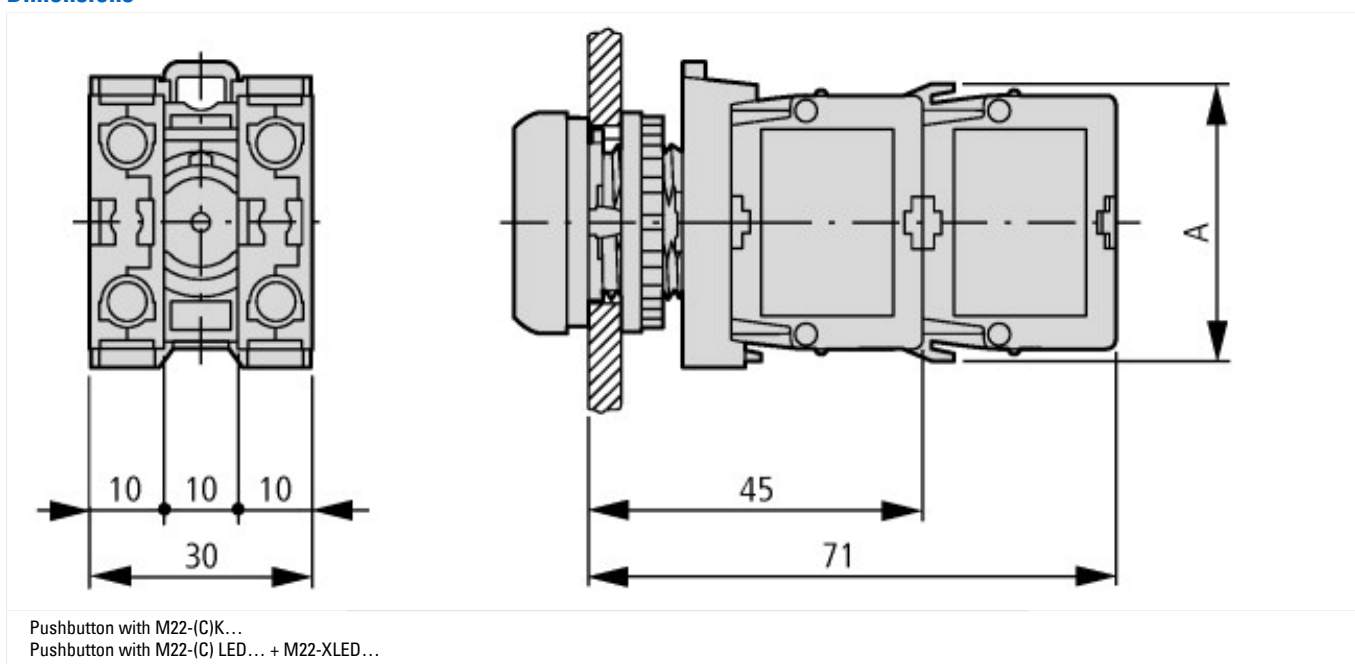
|  |  |   |                  |
|--|--|---|------------------|
| With integrated series resistor                    |  |   | No               |
| Type of light element                              |  |   | LED              |
| Lamp holder  |  |   | without          |
| Mounting type                                      |  |   | Base fixing      |
| With integrated light element                      |  |   | YES              |
| Voltage type for actuation                         |  |   | AC               |
| With integrated diode                              |  |   | YES              |
| With integrated transformer                        |  |   | No               |
| Rated operating voltage U <sub>e</sub> at AC 60 Hz |  | V | 230              |
| Light element                                      |  |   | green            |
| Rated operating voltage U <sub>e</sub> at AC 50 Hz |  | V | 230              |
| Rated operating voltage U <sub>e</sub> at DC       |  | V | 0                |
| Connection type auxiliary circuit                  |  |   | Screw connection |

### CAD-Data

Product standards CAD data:

<http://eaton-moeller.partcommunity.com>

### Dimensions



## Additional product information (links)

|   |   |
|---|---|
| IL04716002Z (AWA1160-1745) RMO-Titan System | <a href="ftp://ftp.moeller.net/DOCUMENTATION/AWA_INSTRUCTIONS/IL04716002Z2011_03.pdf">ftp://ftp.moeller.net/DOCUMENTATION/AWA_INSTRUCTIONS/IL04716002Z2011_03.pdf</a>             |
| <b>Engineering</b>                          |   |
| Engineering, circuit diagrams               | <a href="ftp://ftp.moeller.net/DOCUMENTATION/PDF/GB/PRO_RMO_Titan_Vorschaltelemente_de.pdf">ftp://ftp.moeller.net/DOCUMENTATION/PDF/GB/PRO_RMO_Titan_Vorschaltelemente_de.pdf</a> |