



LED element,bottom,blue



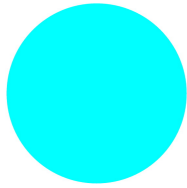
Powering Business Worldwide™

Part no.  
Article no.

M22-LEDC-B  
218058

→ Engineering


## Program

Range			RMQ-Titan (drilling dimensions 22.5 mm)
Basic function			LED elements
Single unit/Complete unit			Single unit
Fixing			Base fixing
Connection technique			Screw terminals
Rated operational voltage	$U_e$	V	12 - 30 V AC/DC
Rated operational current	$I_e$	mA	8 - 15
Power consumption	$P_{max.}$	W	0.26
			at 24 V
Colour			
			Blue
Protection type			IP20
Front ring			- N/A -
Connection to SmartWire-DT			no
<b>Notes</b>			
For pushbutton actuators, indicator lights, illuminated pushbutton actuators and illuminated selector switch actuators, the following applies:			
M22...-R only in combination with M22-LED...-R			
M22...-G only in combination with M22-LED...-G			
M22...-W only in combination with M22-LED...-W			
M22...-Y only in combination with M22-LED...-W			
M22...-B in combination with M22-LED...-W or M22-LED...-B			

## Approbationen

UL approval	Yes
CSA approval	Yes
Product Standards	IEC/EN 60947-5; UL 508; CSA-C22.2 No. 14-05; CSA-C22.2 No. 94-91; CE marking
UL File No.	E29184
UL CCN	NKCR
CSA File No.	012528
CSA Class No.	3211-03
NA Certification	UL listed, CSA certified
Degree of Protection	UL/CSA Type: -

## General

Standards			IEC/EN 60947 VDE 0660
Operating torque (screw terminals)		Nm	 0.8
Protection type			IP20
Climatic proofing			Damp heat, constant to IEC 60068-2-78 Damp heat, cyclic to IEC 60068-2-30

Ambient temperature		°C	
Open		°C	- 25 - + 70
Storage		°C	- 40 - + 80
Mounting position			As required
Mechanical shock resistance		g	30 Shock duration 11 ms Sinusoidal according to IEC 60068-2-27
Terminal capacities		mm <sup>2</sup>	
Solid		mm <sup>2</sup>	0.75 - 2.5
Stranded		mm <sup>2</sup>	0.5 - 2.5

### Contacts

Rated impulse withstand voltage	U <sub>imp</sub>	V AC	6000
Rated insulation voltage	U <sub>i</sub>	V	500
Overvoltage category/pollution degree			III/3

### Notes

<b>Notes</b> > 200 V AC/60 Hz: -25/+55 °C			
Indoor and protected outdoor installation			

### Technical data according to ETIM 4.0

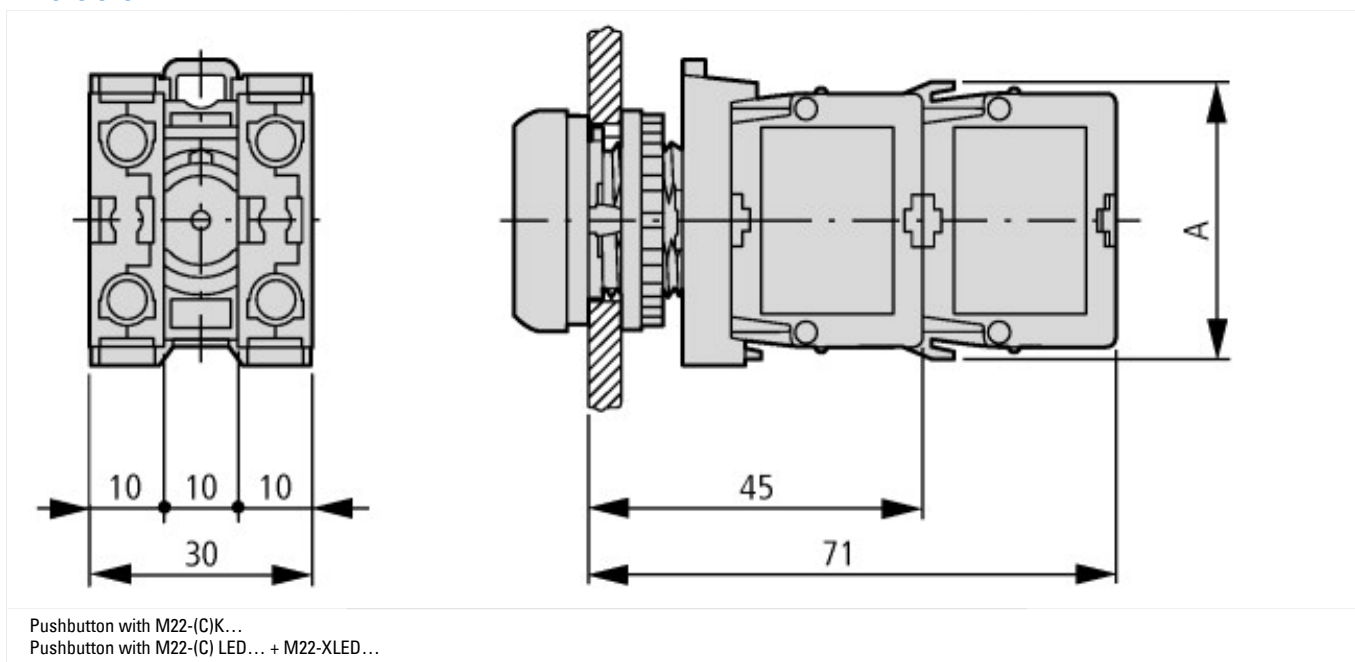
With integrated series resistor			No
Type of light element			LED
Lamp holder			without
Mounting type			Base fixing
With integrated light element			YES
Voltage type for actuation			AC/DC
With integrated diode			YES
With integrated transformer			No
Rated operating voltage U <sub>e</sub> at AC 60 Hz		V	0
Light element			blue
Rated operating voltage U <sub>e</sub> at AC 50 Hz		V	0
Rated operating voltage U <sub>e</sub> at DC		V	30
Connection type auxiliary circuit			Screw connection

### CAD-Data

Product standards CAD data:

<http://eaton-moeller.partcommunity.com>

### Dimensions



## Additional product information (links)

IL04716002Z (AWA1160-1745) RMO-Titan System	<a href="ftp://ftp.moeller.net/DOCUMENTATION/AWA_INSTRUCTIONS/IL04716002Z2011_03.pdf">ftp://ftp.moeller.net/DOCUMENTATION/AWA_INSTRUCTIONS/IL04716002Z2011_03.pdf</a>
<b>Engineering</b>	
Engineering, circuit diagrams	<a href="ftp://ftp.moeller.net/DOCUMENTATION/PDF/GB/PRO_RMO_Titan_Vorschaltelemente_de.pdf">ftp://ftp.moeller.net/DOCUMENTATION/PDF/GB/PRO_RMO_Titan_Vorschaltelemente_de.pdf</a>