



Complete device, front



Powering Business Worldwide™

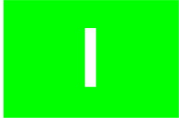




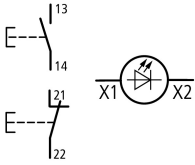
Part no.

**M22-DDL-GR-X1/X0/
K11/230-W**

Article no.

216509


Program

Range			RMQ-Titan (drilling dimensions 22.5 mm)
Basic function			Double actuators
Single unit/Complete unit			Complete unit
Description			85 - 264 V AC
Button plate			  
Auxiliary contacts:  = safety function, by positive opening to IEC/EN 60947-5-1			
N/O = Normally open			1 N/O
N/C = Normally closed			1 N/C 
Contact sequence			
Front ring			Bezel: Silver
Connection to SmartWire-DT			no

Approbationen

UL approval	Yes
CSA approval	Yes
Product Standards	IEC/EN 60947-5; UL 508; CSA-C22.2 No. 14-05; CSA-C22.2 No. 94-91; CE marking
UL File No.	E29184
UL CCN	NKCR
CSA File No.	012528
CSA Class No.	3211-03
NA Certification	UL listed, CSA certified
Degree of Protection	UL/CSA Type 3R, 4X, 12, 13

General

Standards			IEC/EN 60947 VDE 0660
Lifespan, mechanical	Operations	x 10 ⁶	> 1
Operating frequency	Operations/ h		 1800
Actuating force		n	5
Protection type			IP66
Climatic proofing			Damp heat, constant to IEC 60068-2-78 Damp heat, cyclic to IEC 60068-2-30
Ambient temperature		°C	
Open		°C	- 25 - + 70
Mounting position			As required

Mechanical shock resistance		g	30 Shock duration 11 ms Sinusoidal according to IEC 60068-2-27
-----------------------------	--	---	---

Technical data according to ETIM 4.0

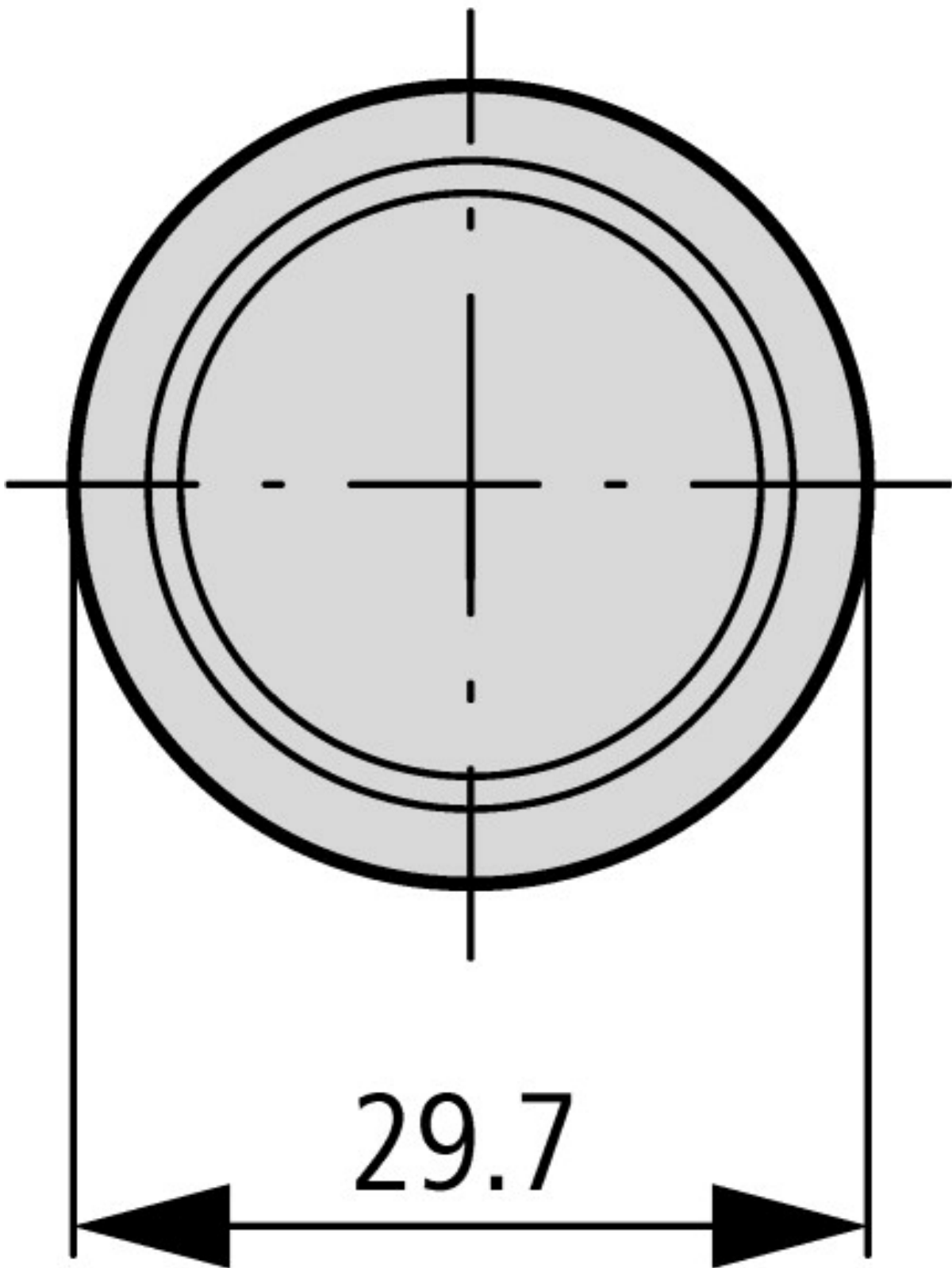
Number of contacts as N/Cs			1
Color bezel			Chrome
Number of locations			2
Hole diameter		mm	22
Momentary			YES
Color button			Red/green
Supply voltage lamp		V	230
Number of contacts as changeover contact			0
Height meter opening		mm	0
Suitable for illumination			YES
Material front ring			Insulated material
Width of opening		mm	22
Lens design			Round
Type of electric connection			Screw connection
Number of contacts as N/O			1
Protection type (IP)			IP66
Switching function latching			No
With bezel			YES
Design of button			flush

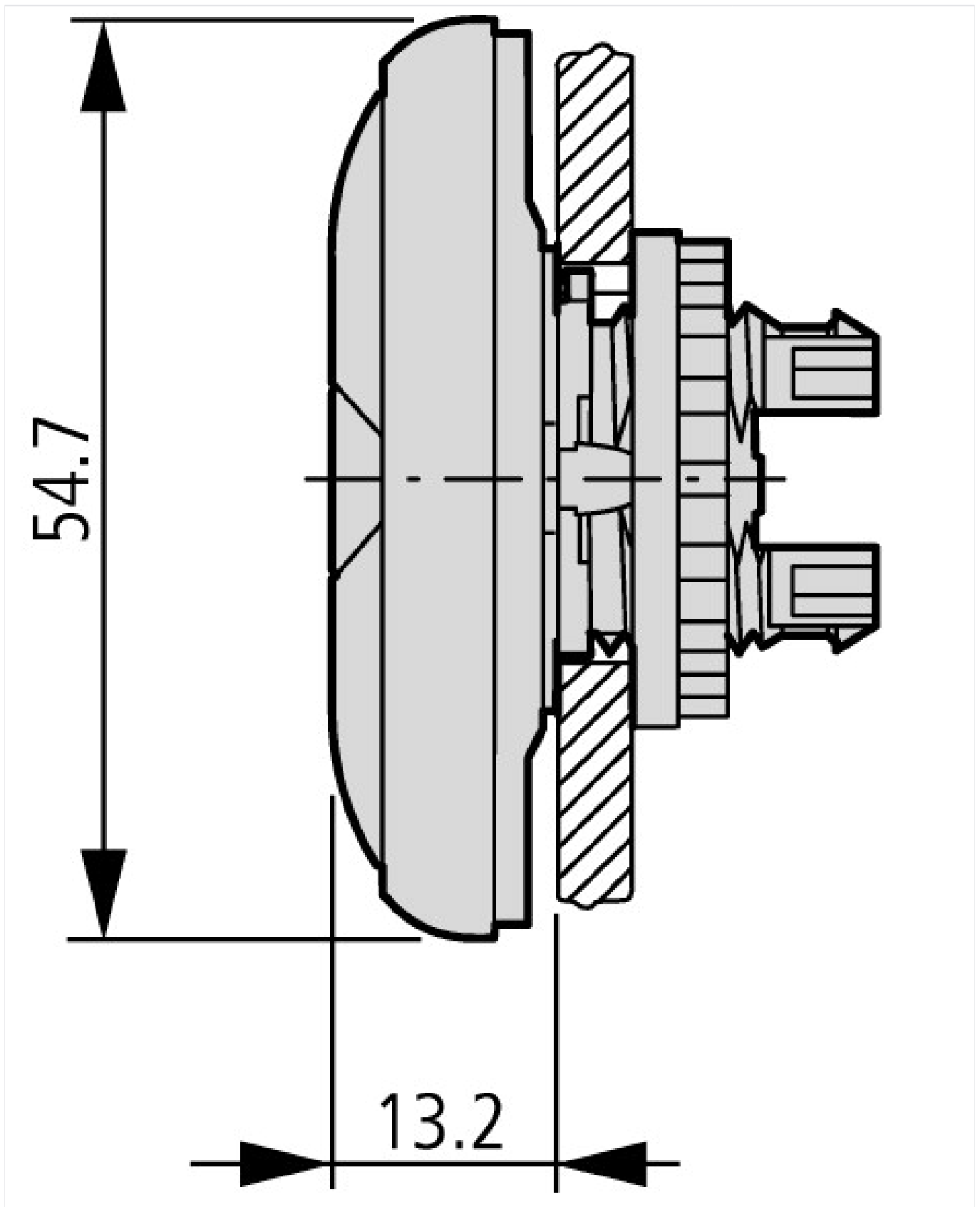
CAD-Data

Product standards CAD data:

<http://eaton-moeller.partcommunity.com>

Dimensions





Additional product information (links)

IL04716002Z (AWA1160-1745) RMQ-Titan System	ftp://ftp.moeller.net/DOCUMENTATION/AWA_INSTRUCTIONS/IL04716002Z2011_03.pdf
Engineering	
Key to part numbers	ftp://ftp.moeller.net/DOCUMENTATION/PDF/GB/TYPENSCHLUESSEL_RMQ-TITAN_de.pdf
Ordering example for custom complete units	ftp://ftp.moeller.net/DOCUMENTATION/PDF/GB/Bestellbeispiel_F0315_COMBINATION_de.pdf
Order form for custom complete units	ftp://ftp.moeller.net/DOCUMENTATION/PDF/GB/FORM_F0315_Combination_de.pdf
Pushbutton actuators	ftp://ftp.moeller.net/DOCUMENTATION/PDF/GB/DIM_RMQ-Titan_Drucktasten_g.pdf