



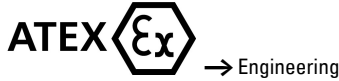
Push-butt.,4-way,spring-ret.,Titan ring



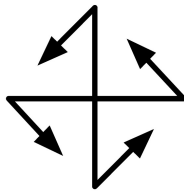
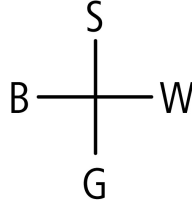
Powering Business Worldwide™

Part no. M22-D4-S-X7

Article no. 286336





Program

Range			RMQ-Titan (drilling dimensions 22.5 mm)
Basic function			Pushbuttons
Single unit/Complete unit			Single unit
Description			opposing pushbuttons not mechanically interlocked
Name			Arrows white, actuator colour black
Function			momentary
Function			
Front ring			Front ring: titanium
Connection to SmartWire-DT			yes
Notes			
-*. *: * =		B = blue, G = green, R = red, S = black, W = white, Y = yellow State colours clockwise, starting with 12:00 o'clock	
			
-*. *: * =		file name generated by Labeleditor entered twice, Engineering	

Approbationen

UL approval	Yes
CSA approval	Yes
Product Standards	IEC/EN 60947-5; UL 508; CSA-C22.2 No. 14-05; CSA-C22.2 No. 94-91; CE marking
UL File No.	E29184
UL CCN	NKCR
CSA File No.	012528
CSA Class No.	3211-03
NA Certification	UL listed, CSA certified
Degree of Protection	UL/CSA Type 3R, 4X, 12, 13

General

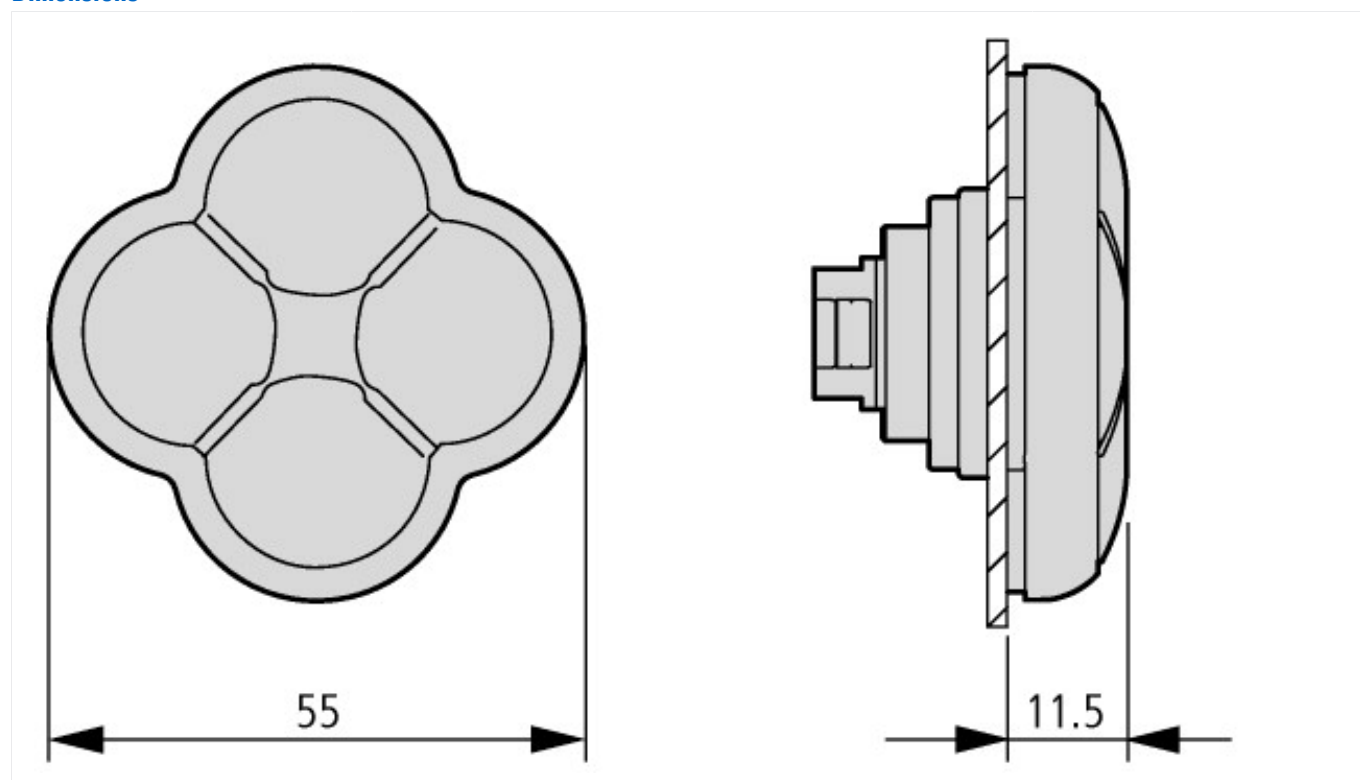
Standards			IEC/EN 60947 VDE 0660
Lifespan, mechanical	Operations	x 10 ⁶	> 0.2
Operating frequency	Operations/ h		
Actuating force		n	
Protection type			IP66
Climatic proofing			Damp heat, constant to IEC 60068-2-78 Damp heat, cyclic to IEC 60068-2-30
Ambient temperature		°C	
Open		°C	- 25 - + 70
Mounting position			As required
Mechanical shock resistance		g	30 Shock duration 11 ms

Technical data according to ETIM 4.0

Lens design			Round
Number of locations			4
Protection type (IP), at front			IP66
Momentary			YES
Color button			black
Hole diameter		mm	22
Width of opening		mm	22
Design of button			flush
Color bezel			Chrome
With bezel			YES
Height meter opening		mm	6
Switching function latching			No
Suitable for illumination			No
Material front ring			Insulated material

CAD-Data

Product standards CAD data:

<http://eaton-moeller.partcommunity.com>**Dimensions****Additional product information (links)**

IL04716002Z (AWA1160-1745) RMQ-Titan System	ftp://ftp.moeller.net/DOCUMENTATION/AWA_INSTRUCTIONS/IL04716002Z2011_03.pdf
Engineering	
Key to part numbers	ftp://ftp.moeller.net/DOCUMENTATION/PDF/GB/TYPENSCHLUESSEL_RM-Q-TITAN_de.pdf
Engineering	ftp://ftp.moeller.net/DOCUMENTATION/PDF/GB/PRO_RM-Q-Titan_D_de.pdf
Ordering example for custom complete units	ftp://ftp.moeller.net/DOCUMENTATION/PDF/GB/Bestellbeispiel_F0315_COMBINATION_de.pdf
Order form for custom complete units	ftp://ftp.moeller.net/DOCUMENTATION/PDF/GB/FORM_F0315_Combination_de.pdf
Labeleditor	ftp://ftp.moeller.net/MFD/EASY-SOFT-PRO/labeleditor_206.exe