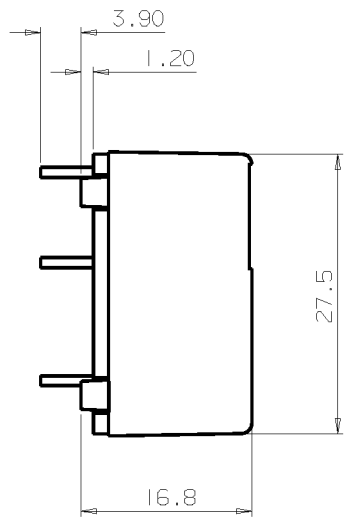
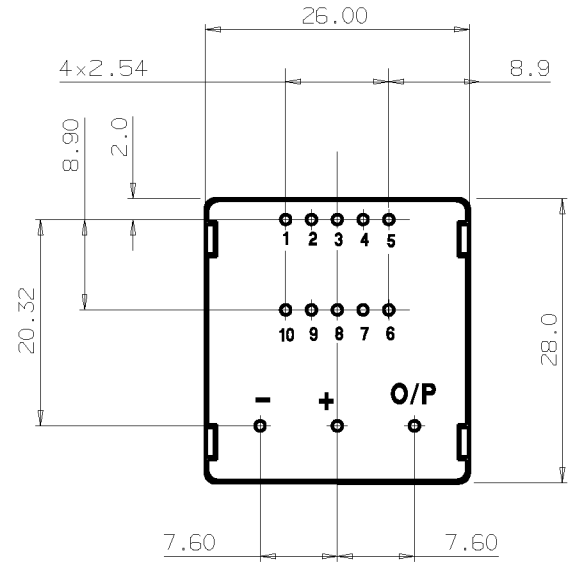


CSNE151-005
 DO NOT SCALE PRINT
 DRAWING NUMBER
 1 2
 ISSUE
 1 2
 RELEASE No
 A301-01
 REPLACES
 M
 REVISIONS
 2 WJ 1/98
 1/96
 M. LOCH
 DRAWN
 CHECK
 DESIGN
 AUTHOR'N

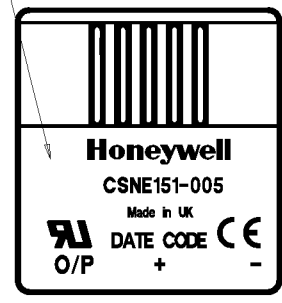
Honeywell

**5A TO 25A
MULTI - RANGE
CURRENT SENSOR**

CATALOGUE LISTING
CSNE151-005

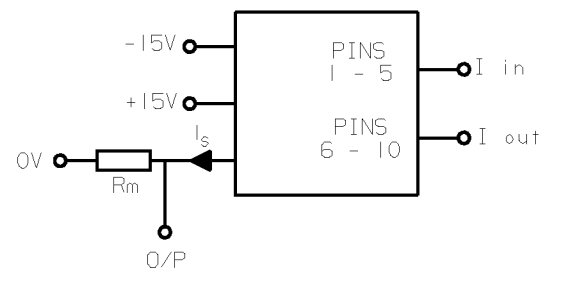


LOGO, DATE CODE AND CAT. LISTING MARKED ON SENSOR.



RECOMMENDED P.C.B. HOLE :- Ø1.2

ELECTRICAL SCHEMATIC



DESCRIPTION

CSNE151-005 IS A MULTI-RANGE CURRENT SENSOR MODULE BASED ON THE 'NULL BALANCE' HALL EFFECT PRINCIPLE. 5, 6, 8, 12 OR 25A CAN BE MEASURED BY SELECTING THE APPROPRIATE 1 TO 5 PRIMARY TURNS.

ELECTRICAL DATA

NOMINAL PRIMARY CURRENT I_{pn} :- 25A rms
 MEASURING RANGE I_p :- 0 TO $\pm 36A$
 LOAD RESISTANCE:- R_m min R_m max
 $\pm 25A.t$ max 100Ω 320Ω
 $\pm 36A.t$ max 100Ω 190Ω

SUPPLY VOLTAGE:- $\pm 15V$ ($\pm 5\%$)
 DIELECTRIC STRENGTH:- 5.0KVrms/50Hz/1min.
 CURRENT CONSUMPTION:- $10 + I_s$ mA
 PRIMARY INTERNAL RESISTANCE:- $< 1.25m\Omega$ /TURN
 SECONDARY INTERNAL RESISTANCE:- 110Ω MAX AT +70°C.

ACCURACY DATA

OFFSET :- ± 0.05 mA TYP.
 ± 0.15 mA MAX.
 OFFSET DRIFT WITH TEMP.:- ± 0.17 mA TYP.
 ± 0.6 mA MAX.
 LINEARITY:- $\pm 0.2\%$ I_{pn}
 RESPONSE TIME :- $< 1\mu s$
 FREQUENCY:- DC TO 150KHz

ENVIRONMENTAL DATA

OPERATING TEMP.:- 0 TO +70°C
 STORAGE TEMP.:- -40 TO +90°C

PRIMARY TURNS	PRIMARY CURRENT		NOM. OUTPUT CURRENT (mA) I_s	PRIMARY RESISTANCE (mΩ)	PRIMARY INSERTION INDUCTANCE (μH)	PIN CONNECTIONS
	NOM. I_{pn} (A)	MAX. I_p (A)				
1	25	36	25	0.3	0.023	
2	12	18	24	1.1	0.09	
3	8	12	24	2.5	0.21	
4	6	9	24	4.4	0.37	
5	5	7	25	6.3	0.58	

THE COPYRIGHT OF THIS DRAWING IS THE PROPERTY OF HONEYWELL LTD. THIS DRAWING IS SUPPLIED IN CONFIDENCE AND MUST NOT BE USED FOR ANY PURPOSE OTHER THAN THAT FOR WHICH IT IS SUPPLIED.

THIRD ANGLE PROJECTION

MODIFY ON CAD3D SYSTEM ONLY

SCALE :- 2:1

DIMENSIONS ARE IN MILLIMETRES