

# ACTUATOR LA12

## Features:

- 12/24 V DC permanent magnetic motor
- Max. thrust 750 N
- Reinforced glass fibre piston rod
- Compact design
- Protection class: IPX1
- Colour: black
- Straight cables without plug
- Back fixture available in 2 different variants: 01 or 02 (factory mounted)
- Built-in limit switches (not adjustable)
- High-strength plastic housing protects motor and gear

## Options:

- Reed-switch
- Potentiometer (max. 100 mm stroke length)
- Hall-sensor for IC-option
- Long life absolute feedback (HALL - Potentiometer)
- Stainless steel inner tube and piston rod eye
- Back fixtures in aluminum or stainless steel
- Protection class: IP66 for the types 12xx00-xxxxxxx
- Protection class: IP66 for outdoor use (dynamic), furthermore the actuator can be washed down by a high pressure cleaner (IP69K – static) for the types 12xx/02/03-xxxxxxx

## Usage:

- Duty cycle up to 20 % or max. 12 min./hour at 0 - 20°C ambient temperature
- Ambient temperatures: -20° to + 60°C, full performance from 5°C to 35°C
- Typical noise level dB (A) 55-57, measuring method DSIEN ISO 3746, actuator not loaded
- To ensure the self-locking ability of the actuator the motor must be short-circuited



**TECHLINE**  
IMPROVING FLEXIBILITY

Thanks to the small size and outstanding performance, the LA12 actuator provides a practical and cost-effective alternative to traditional pneumatic systems and gear motors.

The LA12 is a member of the TECHLINE® Family it is characterised by its robust design allowing the actuator to be used in harsh conditions. The LA12 is designed to meet the challenge, based on the philosophy that it must be able to operate under extreme conditions.

The actuator is ideal for mobile "off-highway" equipment such as agricultural, forestry and construction machines.



iFLEX is a descriptive term under which every TECHLINE® actuator with built-in intelligence is unified.

For more information on iFLEX, please see: [www.linak.com/techline](http://www.linak.com/techline)



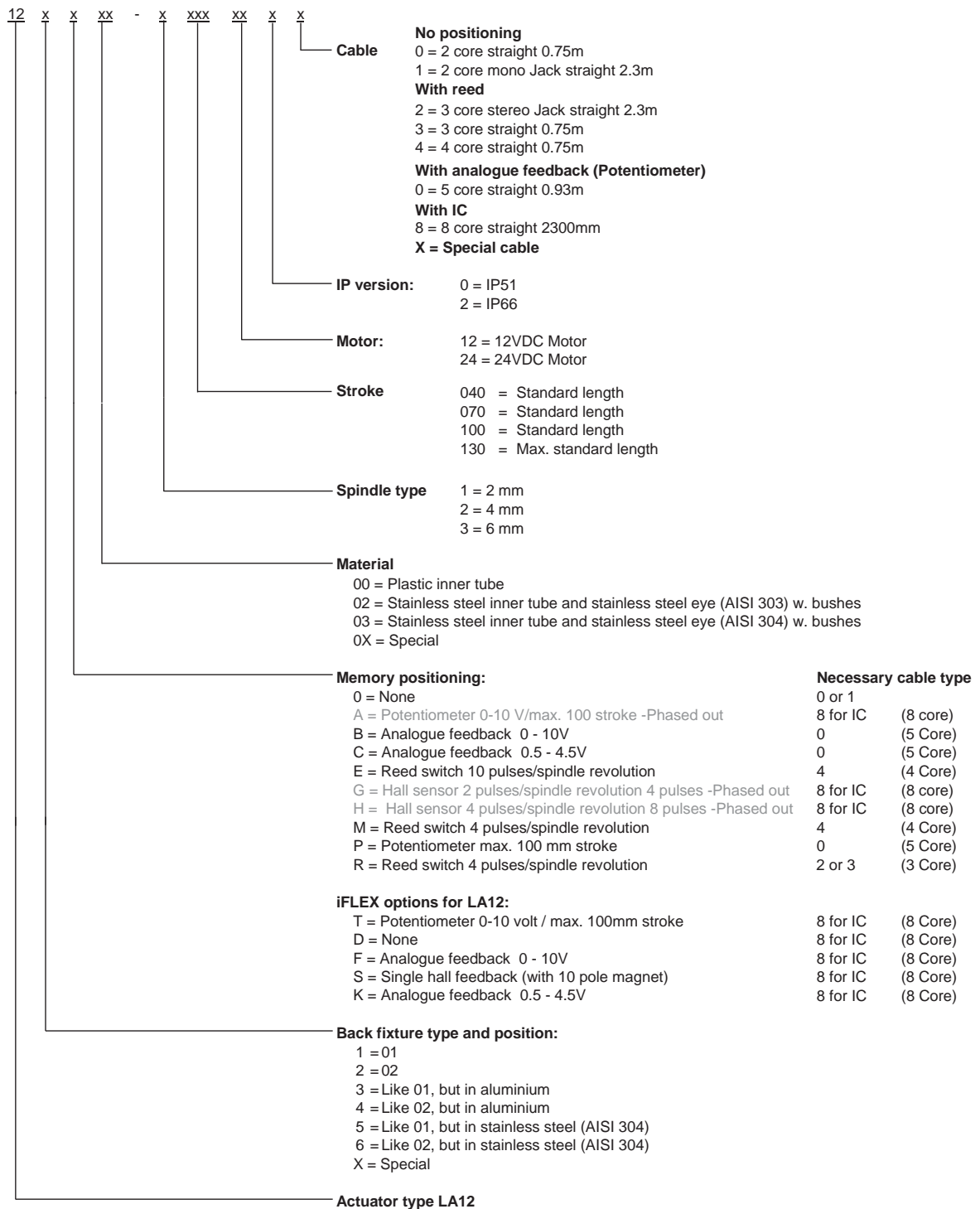
WE IMPROVE YOUR LIFE

**Technical specifications:**

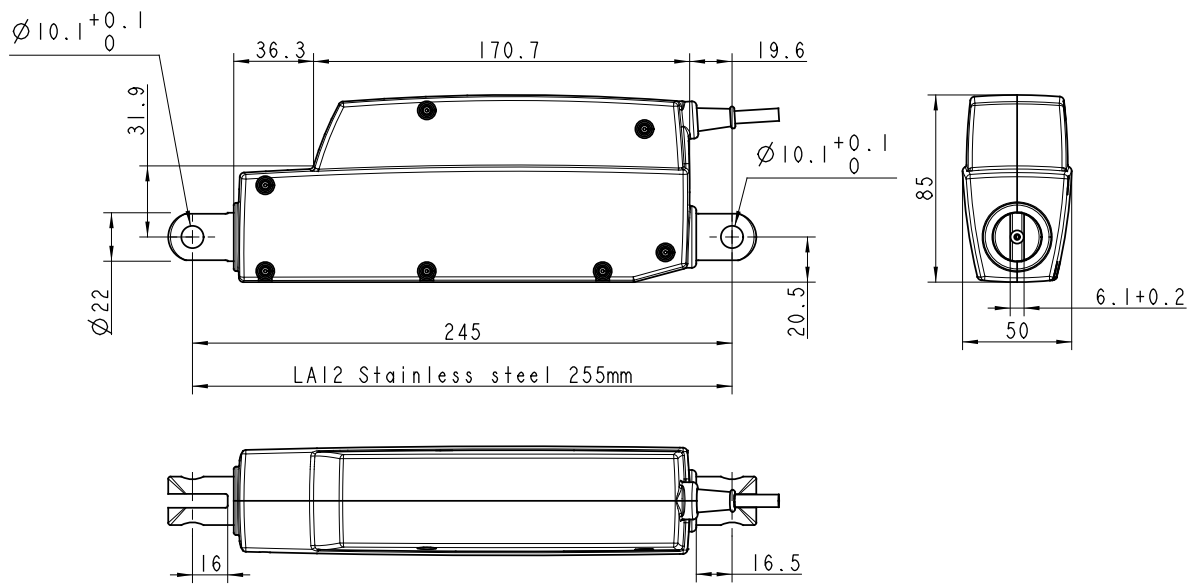
New Type	Old Type	Spindle Pitch (mm)	Thrust max. Push/Pull (N)	Self-lock max. (Push) (N)	Self-lock max. (Pull) (N)	Typical speed 0/full load (mm/s)		Stroke length (in steps of 30 mm)			Typical Amp. at full load (A) 24V - 12V	
12XX00-1XXX12XX	12.1	2	750	750	375	14	5	40	-	130	-	4.6
12XX00-1XXX24XX	12.1	2	750	750	375	14	6	40	-	130	2.2	-
12XX00-2XXX12XX	12.2	4	300	300	150	27	16	40	-	130	-	2.5
12XX00-2XXX24XX	12.2	4	300	300	150	27	16	40	-	130	1.5	-
12XX00-3XXX12XX	12.3	6	200	200	100	40	28	40	-	130	-	2.2
12XX00-3XXX24XX	12.3	6	200	200	100	40	28	40	-	130	1.0	-

**LA12**

**Ordering example:**



**Dimensions:**



#### Environmental test - Climatic

Test	Specification	Comment	TRD number
Degrees of protection	EN60529 – IP6x	IP6X - Dust: Dust-tight, No ingress of dust. Actuator is not activated.	TRD2351
	EN60529 – IPx6	IPX6 - Water: Ingress of water in quantities causing harmful effects is not allowed. Duration: 100 litres pr. minute in 3 minutes. Actuator is not activated.	TRD2249
	EN60529 – IPx6 - dynamic	IPX6 - Connected actuator: Actuator is driving out and in for 3 min. 100 (l/min) jet of water is placed at the wiper ring for 3 (min).	TRD2349
	DIN40050 – IP69K	High pressure cleaner: Water temperature: +80°C Water pressure: 80 bar Spray angle: 45° Spray distance: 100 mm Duration: From any direction 10 seconds of spraying followed by 10 seconds rest. Actuator is not activated. Ingress of water in quantities causing harmful effects is not allowed.	TRD2350
Salt mist.	EN60068-2-52 (Kb)	Dynamic salt spray test Salt solution: 5% sodium chloride (NaCl) 4 spraying periods, each of 2 hours. Humidity storage 20 days after each. Actuator is power up connected during the test. Exposure time: 10.000 cycles	TRD2570

#### Environmental test - Mechanical

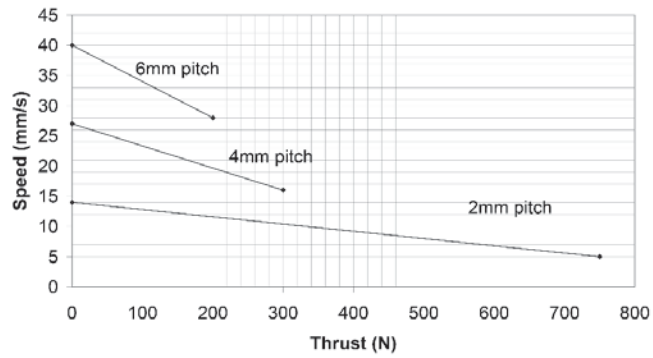
Test	Specification	Comment	TRD number
Low Temperature Soak		Unit powered and operating for 96Hrs @ -40°C	TRD2232
High Temperature Soak		Unit powered and operating for 96Hrs @ 105°C	TRD2233
Mechanical Shock (Handling) - Drop Test	B52011 Part 2.1 Eb.	400mm drop onto Hardwood bench minimum 40 mm thick. Onto all practical edges and faces	TRD2243
Mechanical Shock (Operational)		100 off 400m/sec <sup>2</sup> 6 ms shock pulses - in 3 axes	TRD2229 PART 1
Vibration (Random)		24 hours in each ax. Breakpoint Freq. 10Hz @ 0.005 g <sup>2</sup> /Hz, 150Hz @ 0.060 g <sup>2</sup> /Hz, 220Hz @ 0.080 g <sup>2</sup> /Hz 350Hz @ 0.040 g <sup>2</sup> /Hz	TRD2229 PART 2 TRD 3802
Vibration (Resonant Search)		10 Hz - 2 KHz @ 4G, Rate = 1octave/min	TRD2229 PART 3 TRD 3802
Bump		40G in 6 mS x 100 in each direction pr. axis	TRD 3802

#### Environmental test - Electrical

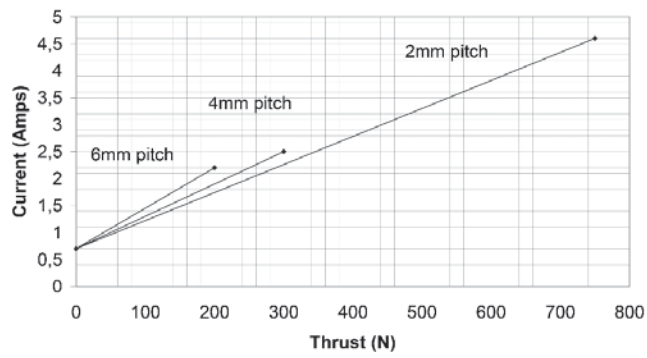
EMC Test		See TRD	TRD 4661
Electrical Tests		See TRD	TRD 3209 TRD 4356

LA12 Curves speed and current:

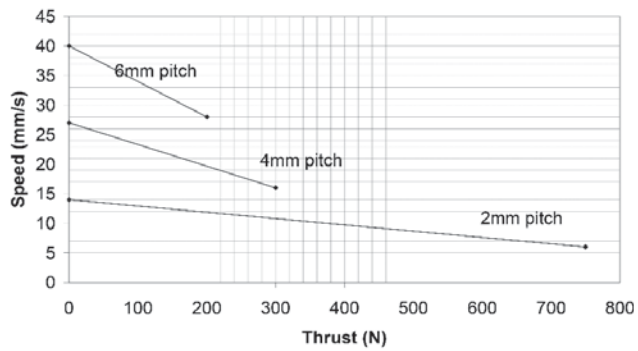
LA12 -12V Speed v's Thrust



LA12 - 12V Current v's Thrust

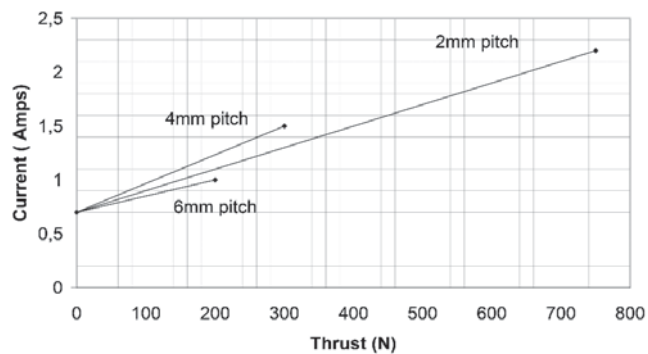


24V Speed v's thrust



LA12 Current v's Thrust:

24V Current v's Thrust



The above values are average values made with a stable power supply and an ambient temperature of 20° C.





---

**Terms of use**

The user is responsible for determining the suitability of LINAK products for specific application. LINAK takes great care in providing accurate and up-to-date information on its products. However, due to continuous development in order to improve its products, LINAK products are subject to frequent modifications and changes without prior notice. Therefore, LINAK cannot guarantee the correct and actual status of said information on its products. While LINAK uses its best efforts to fulfil orders, LINAK cannot, for the same reasons as mentioned above, guarantee the availability of any particular product. Therefore, LINAK reserves the right to discontinue the sale of any product displayed on its website or listed in its catalogues or other written material drawn up by LINAK. All sales are subject to the Standard Terms of Sale and Delivery for LINAK. For a copy hereof, please contact LINAK.