



PRODUCT DATASHEET

FLOODLIGHT LED 200 W 4000 K BK

FLOODLIGHT ASYMMETRIC | Luminaire with asymmetrical light distribution



AREAS OF APPLICATION

- Replacement for floodlights with halogen lamps
- Public areas
- Building facades
- Architectural lighting

PRODUCT BENEFITS

- Energy savings of up to 90 % compared to halogen lamp floodlights
- Optimized weight and size due to compact design
- Very homogenous light

PRODUCT FEATURES

- Floodlight with asymmetrical emission
- Type of protection: IP65



TECHNICAL DATA

Electrical data

Nominal wattage	200.00 W
Operating mode	Electronic control gear (ECG)
Nominal voltage	220...240 V
Mains frequency	50/60 Hz
Power factor λ	0.90

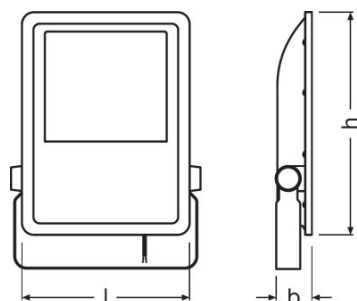
Photometrical data

Color temperature	4000 K
Luminous flux	20000 lm
Standard deviation of color matching	≤ 5 sdcn
Light color (designation)	Cool White
Color rendering index Ra	80
Luminous efficacy	100 lm/W

Light technical data

Beam angle	38 ° x 80 °
------------	-------------

Dimensions & weight



Length	402.4 mm
Width	303.4 mm
Height	64.0 mm
Product weight	7000.00 g
Cable length	1000 mm

Colors & materials

Body material	Aluminum
Housing color	Black

Product color	Black
Cover material	Tempered glass

Temperatures & operating conditions

Ambient temperature range	-20...50 °C
----------------------------------	-------------

Lifespan

Lifespan L70 at 25 °C	50000 h
Lifespan L80 at 25 °C	40000 h
Lifespan L90 at 25 °C	20000 h
Number of switching cycles	30000

Additional product data

Mounting type	Surface
Mounting location	Pole / Wall / Floor

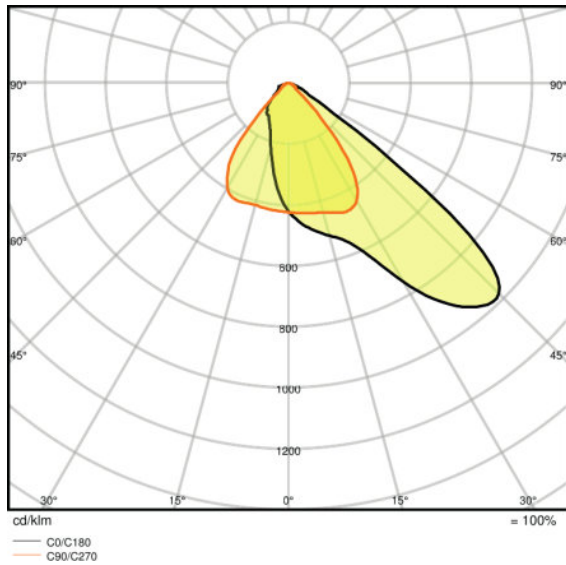
Capabilities

Dimmable	No
Type of connection	Cable, 3-pole
LED module replaceable	Not replaceable

Certificates & standards

Protection class IK (shock resistance)	IK08
Glow Wire Test according to IEC 695-2-1	650 °C
Photobiological safety group EN62778	RG 1
Photobio. safety group acc. to EN62471	RG 1
Protection class	I
Type of protection	IP65
Standards	CECBTÜV SÜDEACRoHS

Light Distribution



LDC typ polar

LOGISTICAL DATA

Product code	Packaging unit (Pieces/Unit)	Dimensions (length x width x height)	Gross weight	Volume
4058075814769	Shipping carton box 1	499 mm x 399 mm x 126 mm	8043.00 g	25.09 dm ³

The mentioned product code describes the smallest quantity unit which can be ordered. One shipping unit can contain one or more single products. When placing an order, for the quantity please enter single or multiples of a shipping unit.

DISCLAIMER

Subject to change without notice. Errors and omission excepted. Always make sure to use the most recent release.