

# PRODUCT DATASHEET

## FLOODLIGHT LED 150 W 4000 K BK

FLOODLIGHT ASYMMETRIC | Luminaire with asymmetrical light distribution



---

### AREAS OF APPLICATION

- Replacement for floodlights with halogen lamps
- Public areas
- Building facades
- Architectural lighting

---

### PRODUCT BENEFITS

- Energy savings of up to 90 % compared to halogen lamp floodlights
- Optimized weight and size due to compact design
- Very homogenous light

---

### PRODUCT FEATURES

- Floodlight with asymmetrical emission
- Type of protection: IP65



**TECHNICAL DATA**

Electrical data

Nominal wattage	150.00 W
Operating mode	Electronic control gear (ECG)
Nominal voltage	220...240 V
Mains frequency	50/60 Hz
Power factor λ	0.90

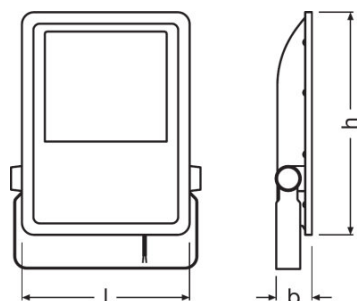
Photometrical data

Color temperature	4000 K
Luminous flux	15000 lm
Standard deviation of color matching	≤5 sdcn
Light color (designation)	Cool White
Color rendering index Ra	80
Luminous efficacy	100 lm/W

Light technical data

Beam angle	38 ° x 80 °
------------	-------------

Dimensions & weight



Length	402.4 mm
Width	303.4 mm
Height	64.0 mm
Product weight	7000.00 g
Cable length	1000 mm

Colors & materials

Body material	Aluminum
Housing color	Black

<b>Product color</b>	Black
<b>Cover material</b>	Tempered glass

### Temperatures & operating conditions

<b>Ambient temperature range</b>	-20...50 °C
----------------------------------	-------------

### Lifespan

<b>Lifespan L70 at 25 °C</b>	50000 h
<b>Lifespan L80 at 25 °C</b>	40000 h
<b>Lifespan L90 at 25 °C</b>	20000 h
<b>Number of switching cycles</b>	30000

### Additional product data

<b>Mounting type</b>	Surface
<b>Mounting location</b>	Pole / Wall / Floor

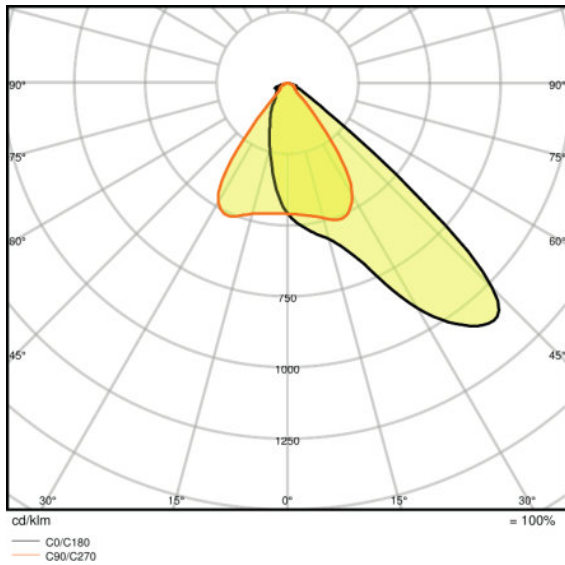
### Capabilities

<b>Dimmable</b>	No
<b>Type of connection</b>	Cable, 3-pole
<b>LED module replaceable</b>	Not replaceable

### Certificates & standards

<b>Protection class IK (shock resistance)</b>	IK08
<b>Glow Wire Test according to IEC 695-2-1</b>	650 °C
<b>Photobiological safety group EN62778</b>	RG 1
<b>Photobio. safety group acc. to EN62471</b>	RG 1
<b>Protection class</b>	I
<b>Type of protection</b>	IP65
<b>Standards</b>	CECBTÜV SÜDEACRoHS

Light Distribution



LDC typ polar

LOGISTICAL DATA

Product code	Packaging unit (Pieces/Unit)	Dimensions (length x width x height)	Gross weight	Volume
4058075814752	Shipping carton box 1	499 mm x 399 mm x 126 mm	7578.00 g	25.09 dm <sup>3</sup>

The mentioned product code describes the smallest quantity unit which can be ordered. One shipping unit can contain one or more single products. When placing an order, for the quantity please enter single or multiples of a shipping unit.

DISCLAIMER

Subject to change without notice. Errors and omission excepted. Always make sure to use the most recent release.