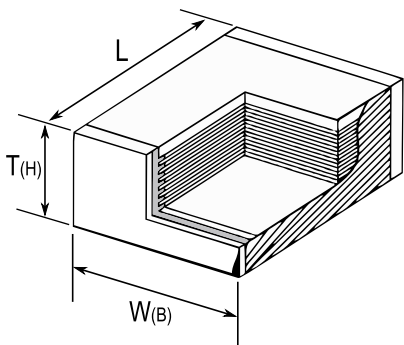


KEMET Part Number: LDECF4330KA0N00
(DECF4330KA0N00)

Capacitor, film, 3.3 uF, +/-10% Tol, General Purpose, 50 VDC@125C



Note: '()' correspond to the letters used in the product bulletin

| Dimensions (mm) | | |
|-----------------|-----------|-----------|
| Symbol | Dimension | Tolerance |
| L | 10.5 | +/-0.4 |
| W | 7.9 | +/-0.5 |
| T | 4.7 | MAX |

| Packaging Specifications | |
|--------------------------|----------|
| Package Kind: | T&R |
| Package Size: | Standard |
| Package Quantity: | 1000 |

| General Information | |
|---------------------|--------------------------|
| Supplier: | KEMET |
| Dielectric: | Metallized PEN (Stacked) |
| Application: | General Purpose |
| Sub Application: | AEC-Q200 |
| Style: | Surface Mount |
| Chip Size: | 4030 |
| RoHS: | Yes |

| Specifications | |
|-----------------------------|------------|
| Capacitance: | 3.3 uF |
| Voltage: | 50 VDC |
| Tolerance: | +/-10% |
| Voltage AC: | 40 VAC |
| Rated Temperature: | 125C |
| Temperature Range: | -55/+125C |
| Dissipation Factor @ 1 kHz: | 0.8% |
| Insulation Resistance: | 121.2 MOhm |
| Maximum dVdT: | 100 v/us |