

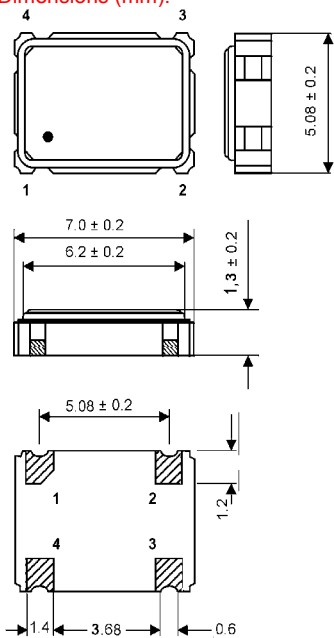


Clock Oscillator SMD-version

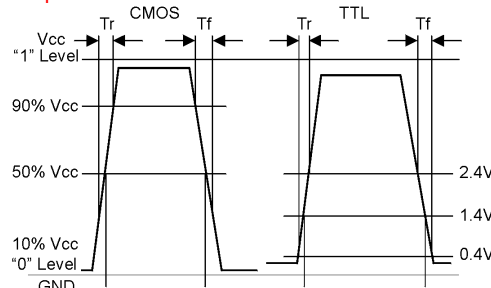
+3,3V

model	KXO-V97T
frequency	3,68640 MHz
frequency stability at -40° ~ +85°C	± 100 ppm
operating temperature	-40° ~ +85°C
storage temperature	-40° ~ +85°C
symmetry	50% ± 10% at ½ Vcc level
rise & fall time max.	6 ns
"0" level max.	+ 0,4V
"1" level min.	Vcc -0,5V
input voltage Vcc	+ 3,3V ± 10%
input current max.	20 mA
output load	30 pF
start up time max.	10 ms
tristate funcion	yes
disable delay time	100 ns max.
enable delay time	4 ms max.
random jitter	7ps max.
peak to peak jitter	40ps max.
contents of reel	1000 pcs.
RoHS	according to RoHS 2011/65/EU
part no.	12.94456

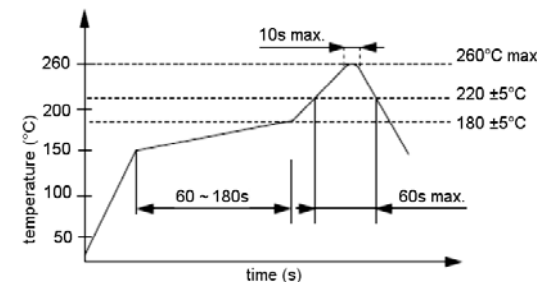
Dimensions (mm):



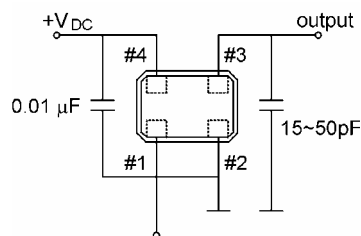
Output waveform:



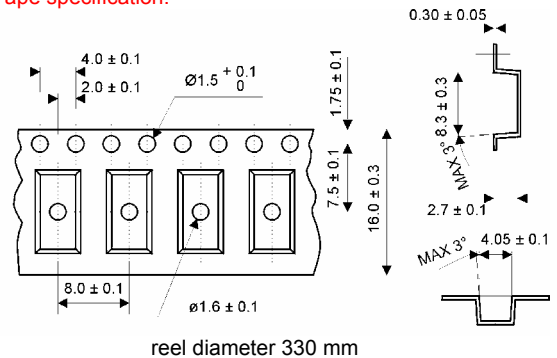
Reflow soldering condition:



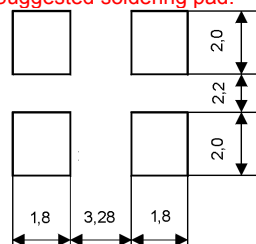
Test circuit:



Tape specification:



Suggested soldering pad:



PIN	CONNECTION
1	"L" (OV) "H" or OPEN
2	GND
3	Z OUTPUT
4	Vcc

Z: high impedance