

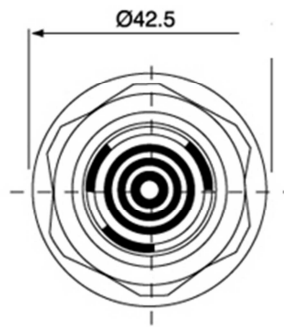
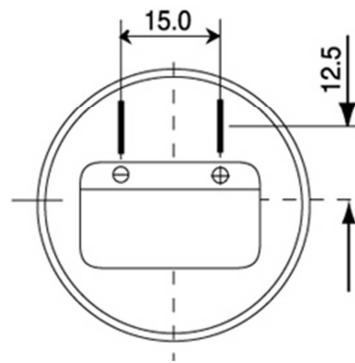
Shape

**KPEG650**

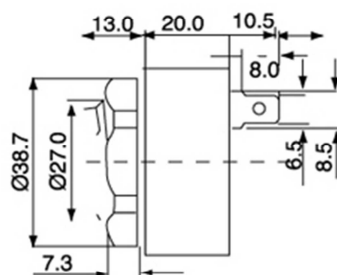


Rated Frequency (Hz)	2,800±500
Operating Voltage Range (V.D.C.)	4~28
Current Consumption (mA)	Max.8@12VDC
Sound Pressure Level (dB)	Min.87dB@30cm / 12VDC
Rated Voltage (VDC)	12
Tone	Continuous
Operating Temperature (°C)	-30 ~ +85
Storage Temperature (°C)	-40 ~ +95
Weight (Gram)	32.0
Material	ABS UL-94 1/16" HB high Heat (Black)

Dimension



Top View



Characteristic / Schematic Diagram