

KM6-II Subracks: Accessories

TAPPED STRIPS

Tapped M2,5 holes on a pitch of 1HP, these strips are used for fixing front panels, backplanes, or as an option for chassis plates. As an alternative to tapped strips, a slide nut suitable for use in front tie bars only can be used where a small number of locations are required.

Contents of kit

Description	Qty	Material/Finish
Tapped strip	1	Mild steel zinc and colour passivate

Ordering information

Description	Qty.	Order code
24HP Tapped strip	1	950-202799L
42HP Tapped strip	1	950-202739G
60HP Tapped strip	1	950-202740L
84HP Tapped strip	1	950-202001E
Slide nut	10	124-30499B

DIN 41612 CONNECTOR MOUNTING FRAME

- Converts backplane extrusions to DIN 41612 mounting
- Separate assembly and wiring possible
- 3U height
- Various widths
- Conductive finish

This frame is supplied as a kit comprising 2 aluminium extrusions with M2,5 holes on a 1HP pitch, two steel end plates and fixings.

Ordering information

Description	Qty.	Order code
24HP DIN 41612 connector mounting frame	1	950-34247E
42HP DIN 41612 connector mounting frame	1	950-34246H
84HP DIN 41612 connector mounting frame	1	950-34244C

DIN 41612 CONNECTOR MOUNTING EXTRUSIONS

As an alternative to the mounting frame the horizontal extrusions are available in separate kits. A 6HP version is of particular use for mounting one connector to mate with a power supply plug-in units. There is also a version at 84HP width. In both cases, the kit comprises two extrusions and fixings.

Ordering information

Description	Qty.	Order code
6HP horizontal extrusions separate kits	2	950-249491B
84HP horizontal extrusions separate kits	2	950-249489L

BACKPLANE SPACER STRIPS

Two types of spacer strips are available, insulating and conductive. The insulating type is available in one and two level versions, each having half shears to aid assembly. The two-level version is used on centre rear tie bars. The 84HP strips can be easily cut down for smaller widths. The conductive strip is 42HP wide and supplied singly.

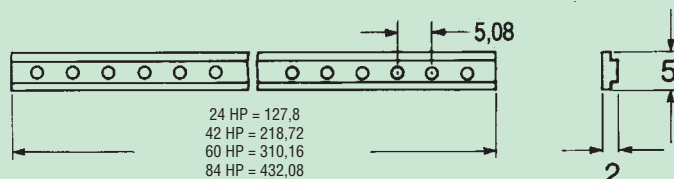
Note: If conductive spacer strips are used in 84HP subracks please order 2 x 42HP spacer strips per tie bar.

Contents of kit

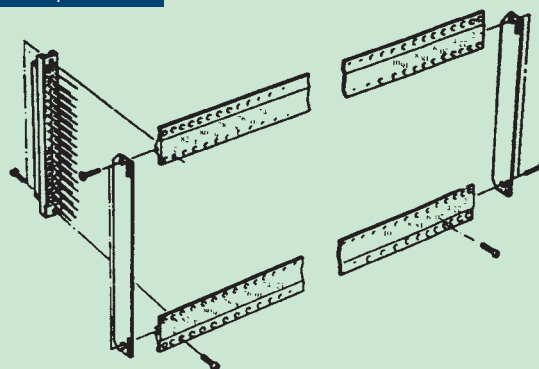
Item/Description	Material/Finish
Insulating spacer	1mm insulating/grey PVC UL94V0
Conductive	1mm MS zinc and passivate

Ordering information

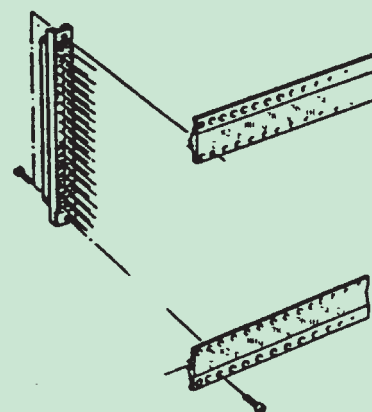
Description	Qty.	Order code
Insulating spacer single level	1	950-10014H
Insulating spacer two level	1	950-10015E
Conductive spacer 42HP only	1	173-60788B



Tapped strip

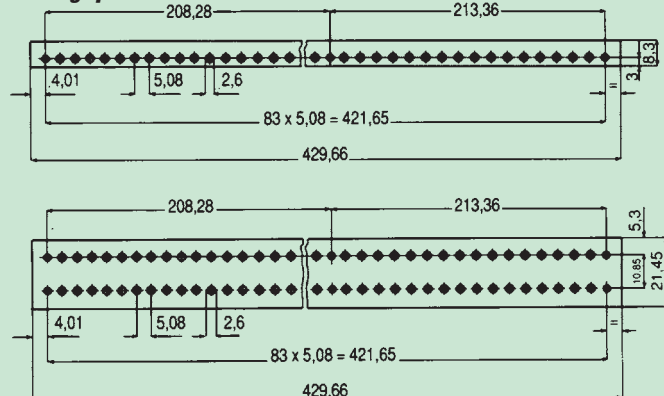


DIN 41612 connector mounting frame

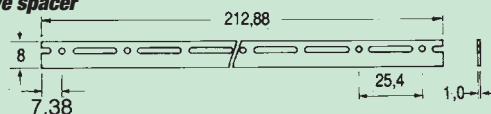


DIN 41612 connector mounting extrusions

Insulating spacers



Conductive spacer



Backplane spacer strips

KM6-II Subracks: Accessories

KM6-II GUIDES



ONE PART GUIDES

- Type 1 PCB** For Eurocards of 1,6mm thickness, either 100mm, 160mm or 220mm long. Compatible with grounding clip, see page 33
- Type 2 PCB** For Eurocards of 2,4mm thickness, either 160mm or 220mm long. Not compatible with grounding clip.
- Type 3 PIU** Plug-in unit (piu) type for cards 111,76 or 245,1mm height, 1,6mm thickness, 160 or 220mm long.
- Type 4 PCB** For Eurocards of 1,6mm thickness, 220mm long, this guide will fit over intermediate extrusions, permitting mixing of pcb depths. Compatible with grounding clip. See page 33.

Contents of kit

Description	Material/Finish
Types 1, 3, 4	Luranyl 2452/1 or equivalent, green
Types 2	Luranyl 2452/1 or equivalent, black

Ordering information

Description: KM6-II Guides - One part

Type	Application	Board Length	Qty.	Order code
1	PCB 1,6mm thick	100 mm	10	950-242850B
		160 mm	10	950-232662J
		160 mm	1000	956-243239E
		220 mm	10	956-232663G
		220 mm	1000	956-243240J
2	PCB 2,4mm thick	160 mm	10	173-232666F
		220 mm	10	173-232667D
3	Plug-in-unit	160 mm	10	950-232664E
		220 mm	10	950-232665C
4	Low profile PCB	220 mm	10	950-232668H

THREE PART GUIDES

- Type 5** Aluminium centre section, with plastic slide in guide section, for 280mm, 340mm or 400mm lengths, 1,6mm thickness. Order separately: End feet for pcb or piu.
- Type 6** Three part guide end feet for Eurocards of 1,6mm thickness.
- Type 8** Three part guide end feet for piu of 1,6mm thickness.

Contents of kit

Item/Description	Material/Finish
Type 5	Al extrusion, anodised, plastic side-in section
Type 6 and 8	Noryl 2452/1α, black
	Noryl 2452/1α, green

Luranyl 2452/1 is a UL94 V1 rated material with a continuous rating of 105°C

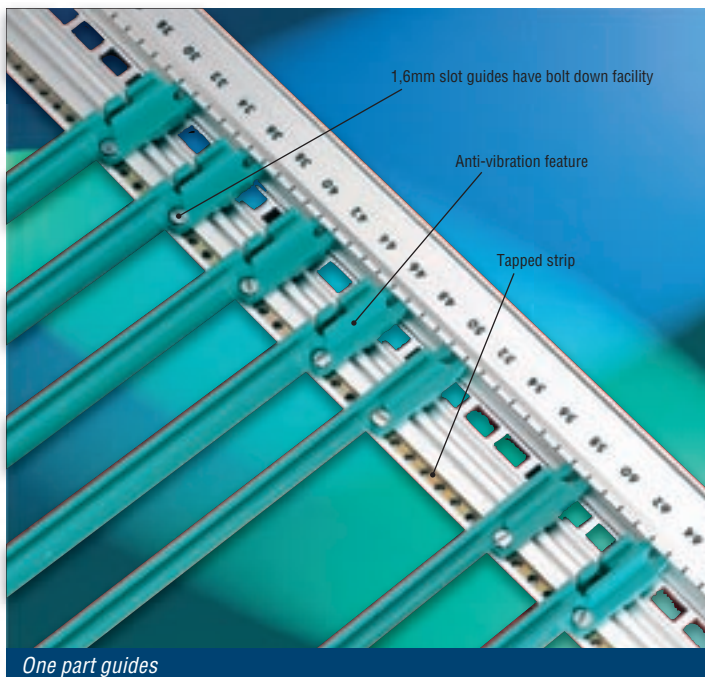
Ordering information

Description: KM6-II Guides - Three part

Type	Application	Board Length	Qty.	Order code
5	PCB 1,6mm thick	280 mm	10	950-276108B
		340 mm	10	950-276109L
		400 mm	10	950-276110D
6	Guide feet, PCB 1,6mm thick		10 prs.	950-202635H
8	Guide feet, PIU or PCB 1,6mm thick		10 prs.	950-202636F

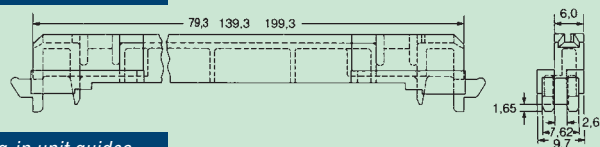


One part guides

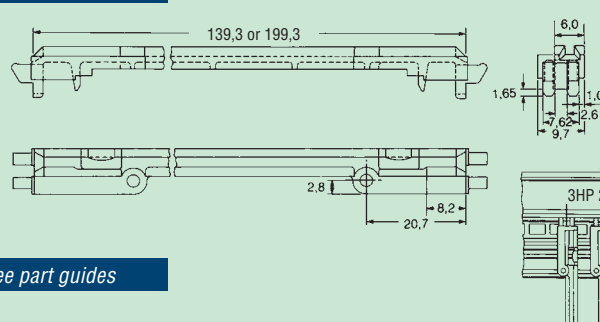


One part guides

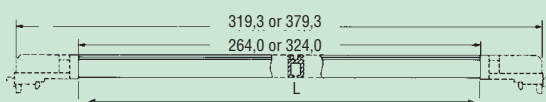
PCB Guides



Plug-in unit guides



Three part guides



Guide length 'L' Guides should be cut to pcb length minus 76mm.

KM6-II Subracks: Dust covers

TOP AND BASE COVER KITS

This range of top and base covers are suitable for fitting to both Standard and Universal KM6-II subracks and KM6-EC subracks.



Two depths are available for protecting the guide area of 160mm or 220mm boards. The covers are available in ventilated or unventilated versions and can be fitted after the subrack has been assembled. A slot in the rear tie bar captures the cover and plastic clips secure it to the front. The cover can thus be easily removed for access.

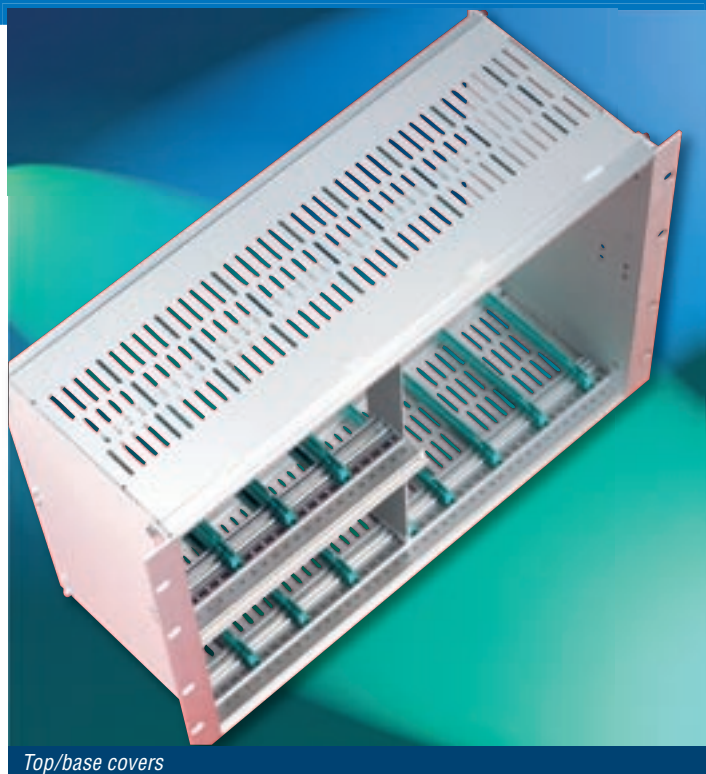
Contents of kit

Item/Description	Qty.	Material/Finish
Covers	2	0,9mm aluminium alloy BS14705251 (NS4H6) conductive clear chromate
Cover retaining clips	8	Grey ABS

Ordering information

Description: Top and base cover kits

Type	Card depth	Qty.	Order code
Ventilated	160mm	2	950-202625L
	220mm	2	950-202626J
Unventilated	160mm	2	950-221913K
	220mm	2	950-221914H



Top/base covers

OTHER CONFIGURATIONS

It is possible on Universal Subracks to use the EMC covers as ordinary covers when the tie bars are set in certain configurations. Call us for details.

REAR COVER KITS

Suitable for both Standard and Universal KM6-II Subracks, these are available in heights of 3U and 6U and are assembled to the endplates. All KM6-II endplates are pre-punched to accept these covers.



The rear cover adds 41mm to the overall depth of a subrack.

Contents of kit

Description	Qty.	Material/Finish
Cover	1	0,9mm aluminium alloy BS14705251 (NS4H6) conductive clear chromate
All fixings		

Ordering information

Description: Rear cover kit	Qty.	Order code
3U rear cover	1	950-202641B
6U rear cover	1	950-202642L



Rear cover kit