

# PIEZO INDICATOR (Wire Type)

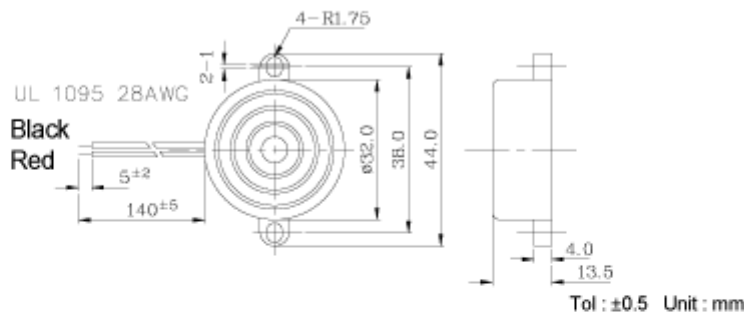
## Shape

**KPE-260**  
**KPE-260H**



Model Number	KPE-260	KPE-260H
Rated Frequency (Hz)	3,500 ± 500	
Operating Voltage Range (VDC)	3 ~ 28	8 ~ 18
Current Consumption (mA)	Max. 4@12VDC	Max. 12@12VDC
Sound Pressure Level (dB)	Min. 85dB@30cm@12VDC	Min. 92dB@30cm@12VDC
Tone	Continuous	
Operating Temperature (°C)	-30 ~ +85	
Storage Temperature (°C)	-40 ~ +95	
Weight (Gram)	8.0	10.0
Material	ABS UL-94 1/16" HB High Heat (Black)	

## Dimension



## Characteristic

