

PIEZO INDICATOR (Wire Type)

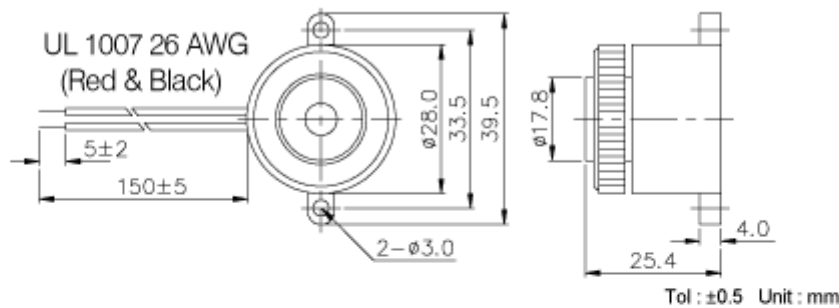
Shape

KPE-250
KPE-250H



Model Number	KPE-250	KPE-250H
Rated Frequency (Hz)	3,500 ± 500	
Operating Voltage Range (VDC)	3 ~ 28	8 ~ 18
Current Consumption (mA)	Max. 6@12VDC	Max. 14@12VDC
Sound Pressure Level (dB)	Min. 85dB@30cm@12VDC	Min. 94dB@30cm@12VDC
Tone	Continuous	
Operating Temperature (°C)	-30 ~ +85	
Storage Temperature (°C)	-40 ~ +95	
Weight (Gram)	9.5	
Material	ABS UL-94 1/16" HB High Heat (Black)	

Dimension



Characteristic

