

SERIES 1040 - ROTARY SHAFT SNAP-ACTION SWITCHES

TO 4 (1) A 250 V AC



PRODUCT FEATURES

- ◆ Extremely low switching torques
- ◆ Spring steel auxiliary actuators which are easily adaptable to customer-specific installation conditions

ON REQUEST

- ◆ Other auxiliary actuators
- ◆ Normally open contact version

Mechanical life endurance	5E6
Contact resistance (new condition)	< 100 mOhm (1 A 12 V DC)
Insulation resistance (new condition)	> 100 MOhm (500 V DC)
Voltage strength at 250 V	1 500 V function insulation / basic insulation 3 000 V reinforced insulation (depending on installation situation) 500 V small contact distance
Proof tracking	250 PTI
Insulation spacing	acc. to EN 61058 for reinforced or double insulation
Protection type	IP 00 connection side IP 40 actuator side
Ambient temperature	-35 °C ... +85 °C
Flammability	UL 94 V-2
Heat and fire resistance	850 °C (category D)
Material	additional actuator stainless steel spring steel housing PA glass fiber-reinforced / PETP connections silver-plated
Contact distance	< 3 mm
Approval marks	
Suitable for appliances of protection class II under compliance with the installation conditions required on the equipment side	



ROCKER SWITCHES

PUSHBUTTON SWITCHES

TOGGLE SWITCHES

SLIDE SWITCHES

ROTARY SWITCHES

FOOT SWITCHES

POWER TOOL SWITCHES

TACT AND KEY SWITCHES



SNAP-ACTION SWITCHES

MICRO-SIGNAL SWITCHES

SENSORS

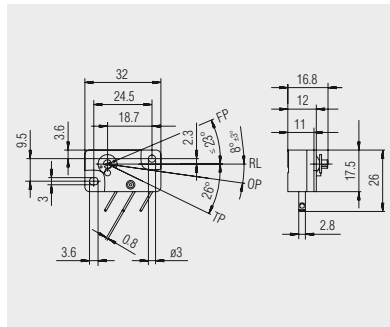
SERIES 1040 - ROTARY SHAFT SNAP-ACTION SWITCHES

TO 4 (1) A 250 V AC

	4 (1) A 250 V AC 5E4	Connection type	Connection description	Contact material	Stock version
Changeover switch (SPDT momentary)					
1040.0114	●		2.8 x 0.8	Ag	●
1040.0301	●		2.8 x 0.8	Au	



1040.0114

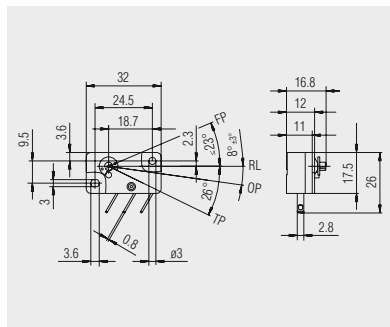


Enclosed loose: actuating lever 80 long, diameter 0.6 mm made of stainless spring steel and fastening disc

FP: free position $\leq 23^\circ$
 OP: operating position $8^\circ \pm 3^\circ$
 TP: total travel position 26°
 Pretravel angle max. 34°
 Overtravel angle min. 15°
 Difference angle $5^\circ - 15^\circ$
 Switch actuating torque 0.9 - 1.7 Nmm
 End actuating torque min. 0.2 Nmm
 Reset torque min. 0.15 Nmm



1040.0301



Without lever and fastening disc

FP: free position $\leq 23^\circ$
 OP: operating position $8^\circ \pm 3^\circ$
 TP: total travel position 46°
 Pretravel angle max. 34°
 Overtravel angle min. 35°
 Difference angle $5^\circ - 15^\circ$
 Switch actuating torque 0.6 - 0.9 Nmm
 End actuating torque ≥ 0 Nmm

Further information under

WWW.MARQUARDT.DE