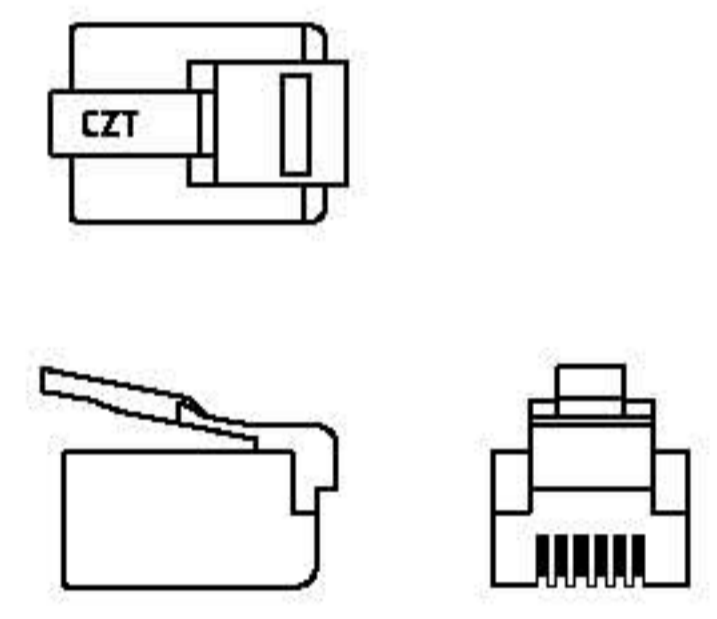
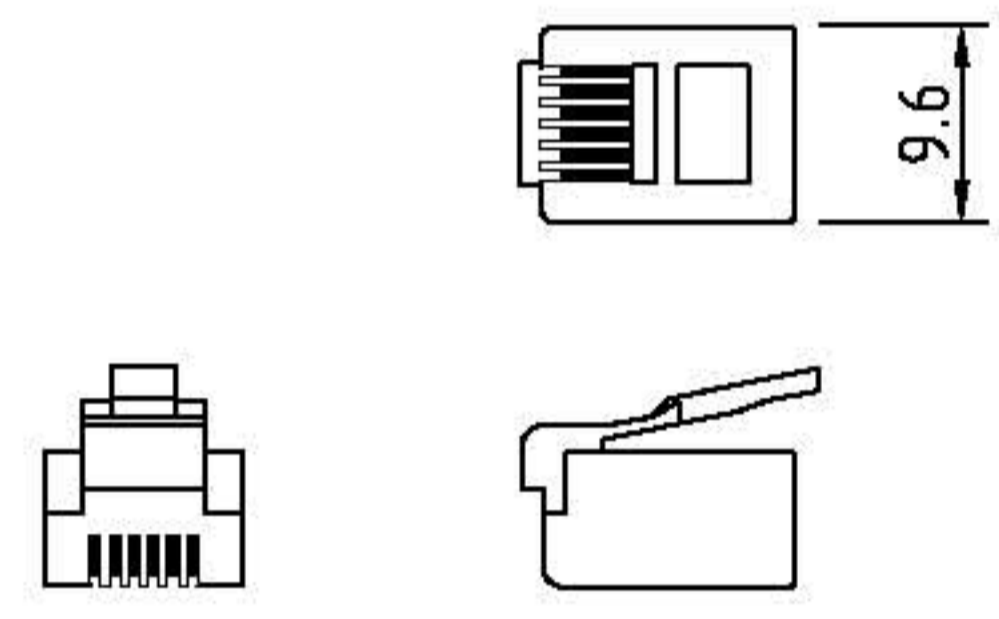
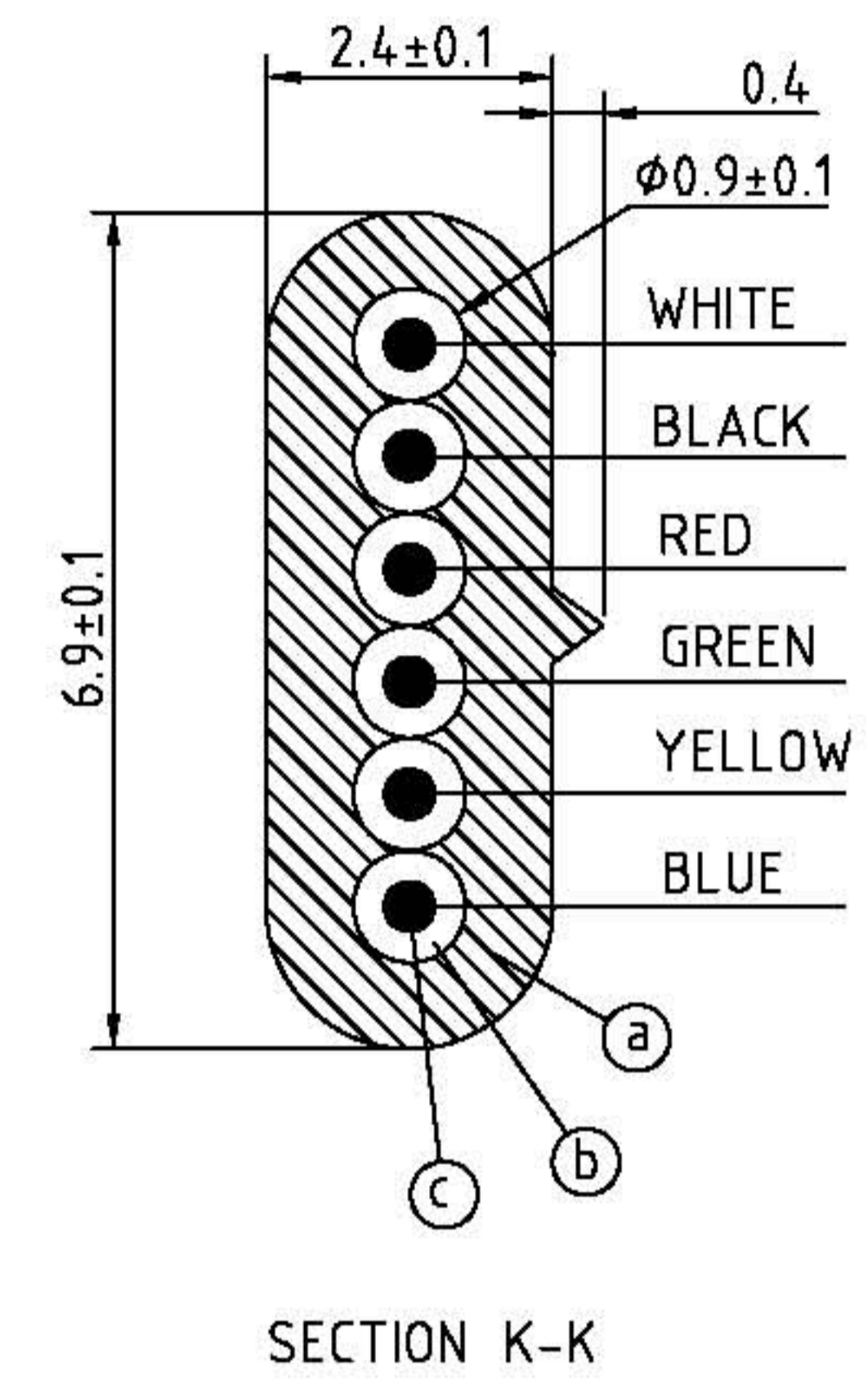
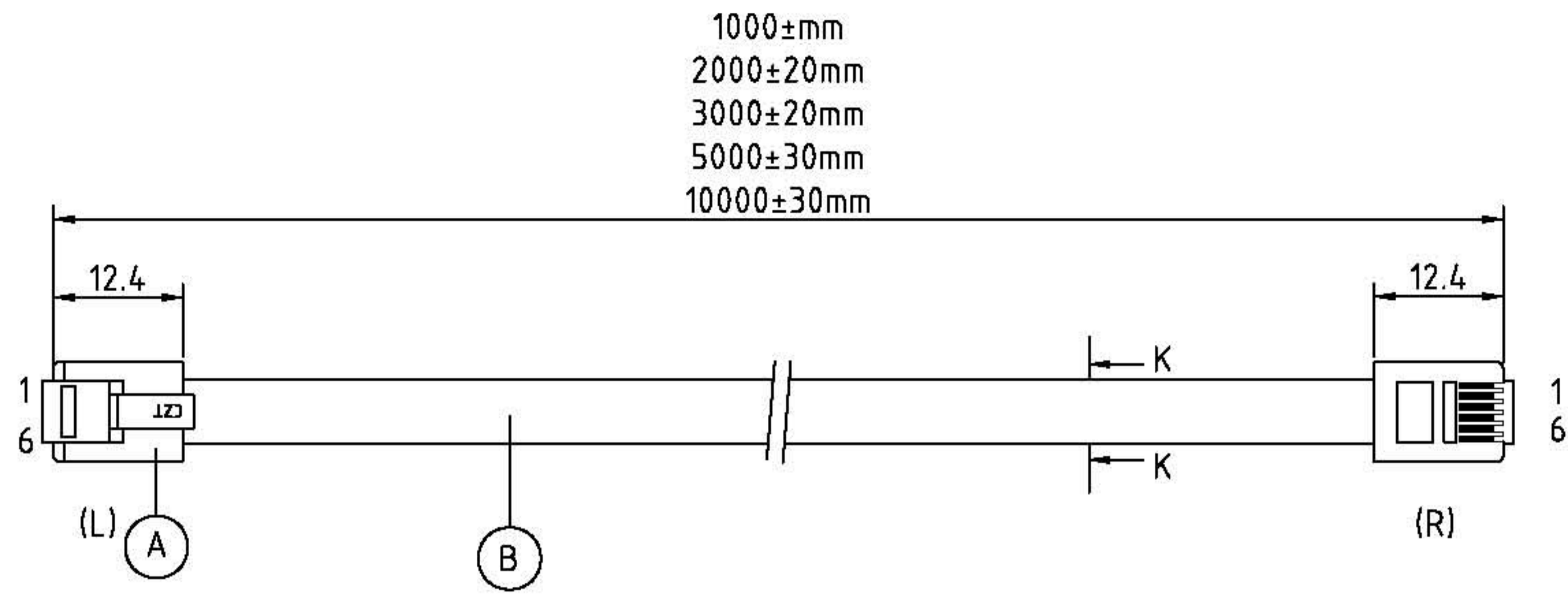


REV.	DATE	FILE No.
1.0	2010-1-20	-PA62R-6C1M



WIRING DIAGREAM

6P6C PLUG (L)	6P6C PLUG (R)
1 _____	1 WHITE
2 _____	2 BLACK
3 _____	3 RED
4 _____	4 GREEN
5 _____	5 YELLOW
6 _____	6 BLUE

SPECIFICATION:

ITEM	PART NAME	MATEIAL	COLOR	QTY
A	3 MIC 6P6C CZT MODULAR PLUG	P.C	TR	2
B	FLAT CABLE 0.12/7X6C #2.5X7.0MM	a	JACKET	P.V.C
		b	INSULATION	P.Pφ0.9
		c	CONDUCTOR	COPPER
		BRASS		

NOTE: ALL MATERIALS ARE COMPLIANCE TO "RoHS".

CUSTOMER: JESS-LINK		Maxxtro®
CUST P/N:		
S/O:	S/N:	PART No.: -PA62R-6C1M/BK-R
DRAWING No.	PA-062-21	PART NAME: 6P6C PLUG TO 6P6C PLUG
DRAWING BY	YangGuo	UNLESS OTHERWISE SPECIFIED ALL DIMENSIONS ARE IN MM TOLERANCE: DECIMAL .X ±0.1 .XX ±0.05 ANGLE ±1/2°
CHECKED BY	LingQi.M	
APPROVER BY	ChenHan	
		SHEET 1 OF 1 SCALE NO