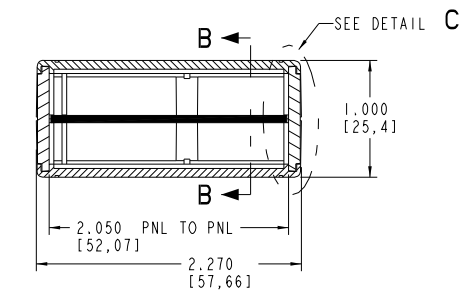
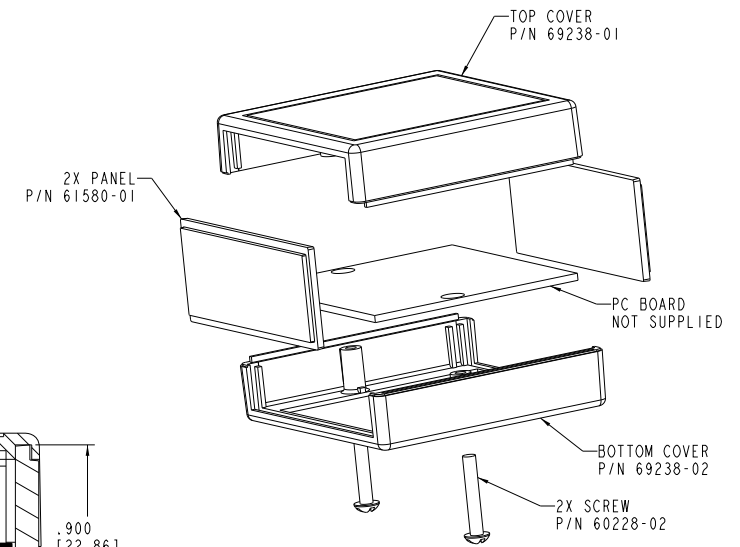
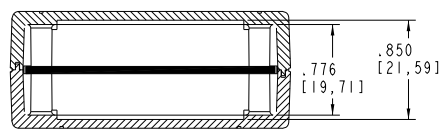


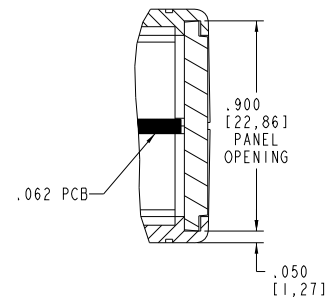
RECOMMENDED PCB SIZE



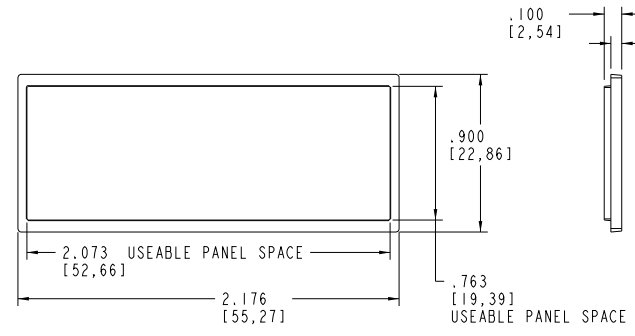
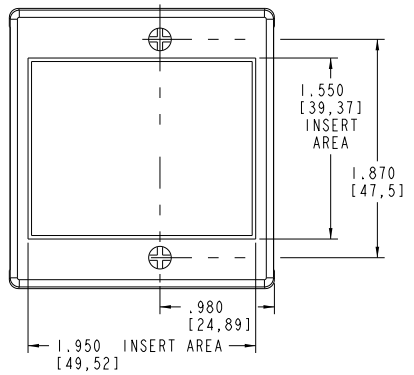
SECTION A-A



SECTION B-B



DETAIL C  
SCALE 4.000



**PACITEC®**  
1-610-361-4200

**JM-22**

VISIT **PACITEC®**  
ON THE WORLD WIDE WEB  
[www.pactecenclosures.com](http://www.pactecenclosures.com)

COLOR / MATERIAL CODE		
COLOR	94HB	94VO
	BLACK 000	028
	P.C.BONE 039	060

DRAWING NUMBER	REV
69261	C