

# CH Products

## IP Desktop USB Joystick



The **IP Desktop USB** joystick is designed to provide PC applications with responsive and accurate positioning controls. Featuring a three axis Hall effect joystick, twelve programmable switches and USB interface, the IP Desktop seamlessly integrates with software applications recognizing joystick inputs via Microsoft's DirectX.

### Technical Specifications

Three axis, two button Hall effect joystick  
Desktop housing features ten programmable buttons  
USB interface  
Optional joystick/mouse combination device software driver

### Mechanical

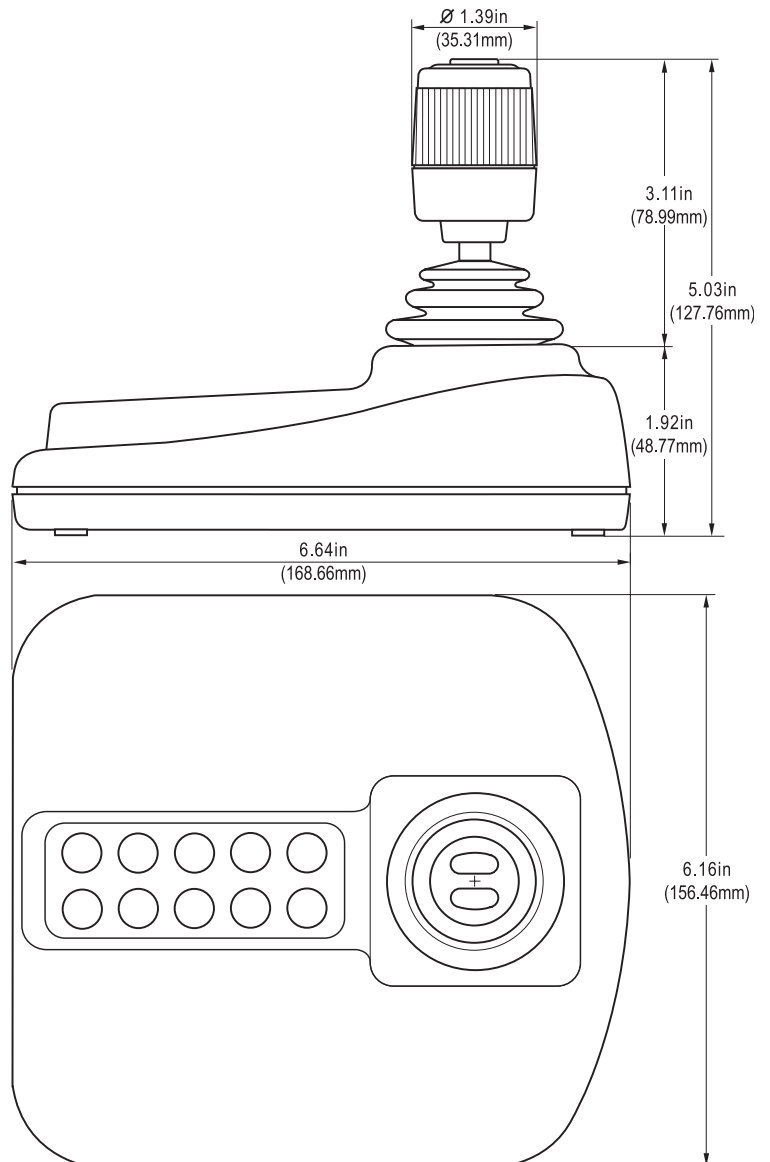
Breakout Force: 0.109Nm  
Operating Force: 0.151Nm  
Maximum Force: 0.169Nm  
Joystick Travel: 36° (18° from center)  
Expected Life (operations): 3,000,000

### Environmental

Operating Temperature: -40°C to +80°C

### Electrical

Supply Voltage (USB bus): Vdd = 5V±0.5V  
Supply Current (USB bus): 32mA



# CH Products

## CH IP Desktop Software

IP Desktop Software is an **optional** utility that creates a joystick/mouse combination device and allows users to toggle between both devices with the press of a button. In addition to dual joystick/mouse functionality, IP Desktop Software creates an additional fourth joystick axis, "R." The IP Desktop Software is designed to work with the IP Desktop joystick in a Windows based operating system only.

### Software Driver Features

**Creates a joystick/mouse combination device**

**Creates a fourth "R" axis**

#### Assigns functions to buttons 1 and 2:

Button 1 – Toggles between "Z" and "R" axes

Button 2 – Toggles between "Joystick" and "Mouse" modes

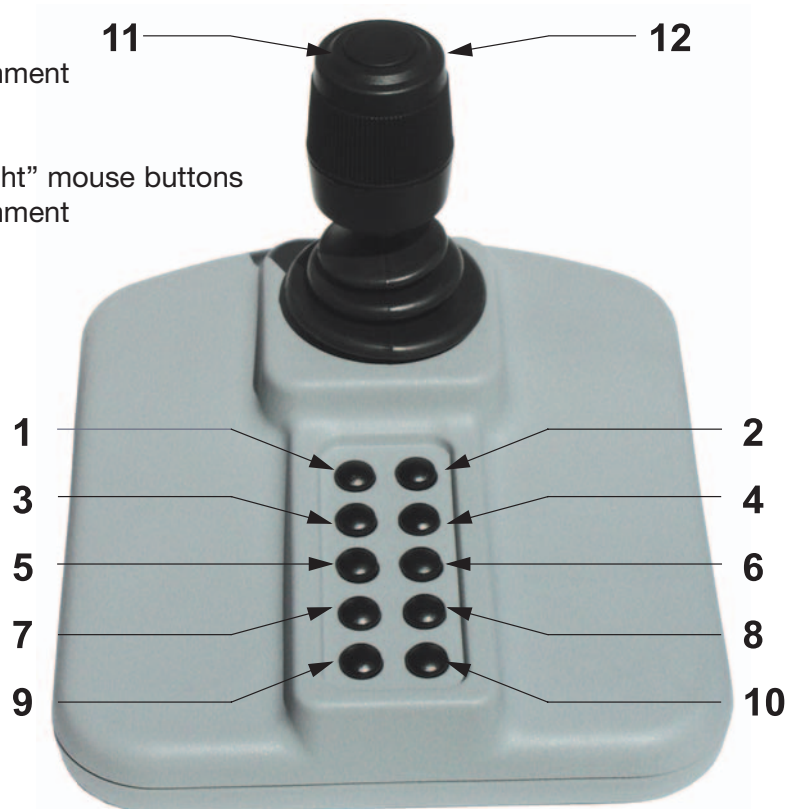
#### Joystick mode:

Buttons 3-12 remain available for assignment

#### Mouse mode:

Buttons 11-12 represent "Left" and "Right" mouse buttons

Buttons 3-10 remain available for assignment



CH Products  
970 Park Center Drive  
Vista, CA 92081

Telephone (760) 598-2518  
Fax (760) 598-2524  
Email [oemsales@chproducts.com](mailto:oemsales@chproducts.com)  
Web Site [www.chproducts.com](http://www.chproducts.com)

All specifications are subject to change without notice.