

Overview 0

Cabinets 1

Wall mounted cases 2

Accessories for cabinets and wall mounted cases 3

Climate control 4

Desk-top cases 5

**Subracks/
19" chassis 6**

Front panels, plug-in units 7

Systems 8

Power supply units 9

Backplanes 10

Connectors, front panel component system 11

Appendix 12

19" chassis - *inpac*



02192001



02192005

Robust 19" chassis, also for board assembly

Standards

- External dimensions in accordance with IEC 60297-3-101
- Protection class IP 20 as per IEC 60529
- Protective GND/earth connections according to:
 - DIN EN 50178 / VDE 0160
 - DIN EN 60950 / VDE 0805
 - DIN EN 61010-1 / VDE 0411 part 1
 - DIN EN 61010-1A2 / VDE 0411 part 1/A1



Downloads and further important information can be found on the Internet under www.schroff.biz



19" chassis - *inpac*

Overview 6.108.

19" chassis with high mechanical stability

- Also usable as desk-top case
- Robust cases from aluminium die-cast frames to front and rear
- Flexible assembly for standardised board formats or individually, e.g. for mounting plates
- Cost benefit with mounting service and custom processing in ServicePLUS



19" chassis/desk-top enclosure

- 2 U, 3 U, 4 U and 6 U heights

02192002



inpac built into 19" cabinet

02192003



30407004

ServicePLUS from page 6.96

- e.g. individual configuration and assembly from 1 piece
- e.g. printing
- e.g. cut-outs in front or rear panels or cover plates
- e.g. modifications (special colours)
- e.g. customised solutions (special depths, electromagnetically shielded applications)

www.schroff.biz/serviceplus/

inpac

19" chassis 6.110

Accessories

Full-width front panels	6.111
Full-width rear panels	6.111
Support rails	6.112
Horizontal rails	6.112
Guide rails	6.113
Front handles	6.114
GND/earthing kit	6.114
Dimensions	6.116

ServicePLUS . 6.96

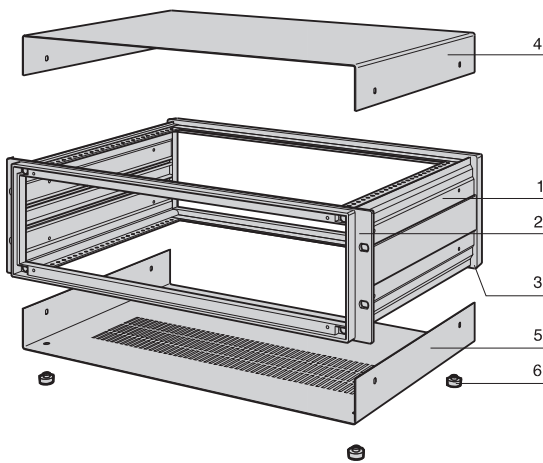


19" chassis - *inpac*

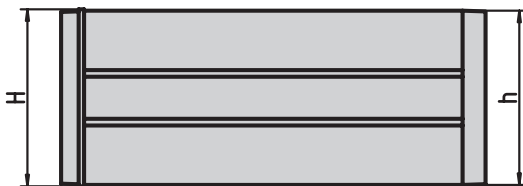
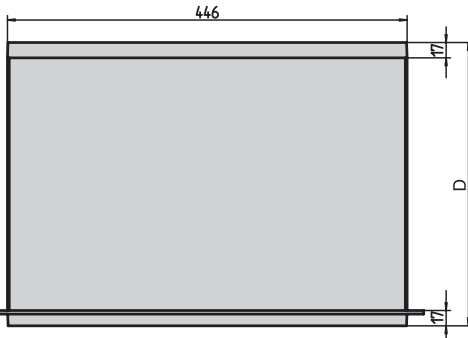
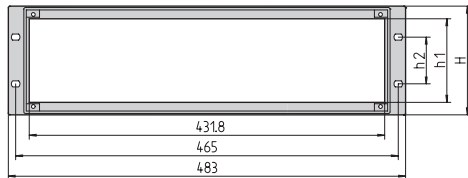
19" chassis



02192006



ipa30632



IPA30635

- For assembly with 19" components or individually with mounting plate
- Three rows ventilation slots in base for air inlet

Delivery comprises (Kit, Pos. 1, 2 and 3 assembled)

Item	Qty	Description
1	2	Side panel, Al extrusion, RAL 7030 at 6 U: 2 Al corner profiles 1 divider plate (steel plate)
2	1	Front frame, Al die-cast, RAL 7030, rear side with counterbores for drill holes to mount handles and front panels
3	1	Rear frame, Al die-cast, RAL 7030
4	1	Cover plate, St, 1 mm, RAL 7035, plastic-coated, with GND/earthing connection
5	1	Base plate, St, 1 mm, RAL 7035, plastic-coated, with GND/earthing connection
6	4	Case foot with anti-slip protection, PC, UL 94 V-0
7	1	Assembly kit

Order Information

Height H	Height H	h	h1	h2	Depth D	Part no.
U	mm	mm	mm	mm	mm	
2	88.0	86.0	57.5	76.2	254.5	10828-071
2	88.0	86.0	57.5	76.2	314.5	10828-072
2	88.0	86.0	57.5	76.2	374.5	10828-073
3	132.5	130.5	102.0	57.2	254.5	10828-051
3	132.5	130.5	102.0	57.2	314.5	10828-052
3	132.5	130.5	102.0	57.2	374.5	10828-053
3	132.5	130.5	102.0	57.2	434.5	10828-054
4	177.0	174.5	146.5	101.6	254.5	10828-056
4	177.0	174.5	146.5	101.6	314.5	10828-057
4	177.0	174.5	146.5	101.6	374.5	10828-058
4	177.0	174.5	146.5	101.6	434.5	10828-059
6	265.9	263.5	235.4	190.5	374.5	10828-068
6	265.9	263.5	235.4	190.5	434.5	10828-069

Note

- Extent of delivery includes screws for fixing rear panel and front panel



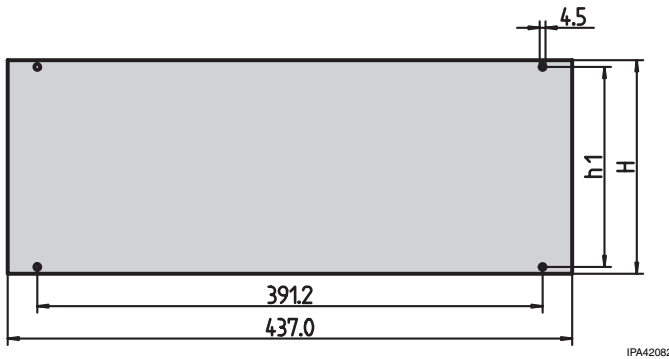
For further information www.schroff.biz/oneclick
oneClick search code = Part no.



ServicePLUS see page 6.96

19" chassis - *inpac*

Front panels



Delivery comprises

Item	Qty	Description
1	1	Front panel, Al, 2.5 mm, anodised, cut edges untreated

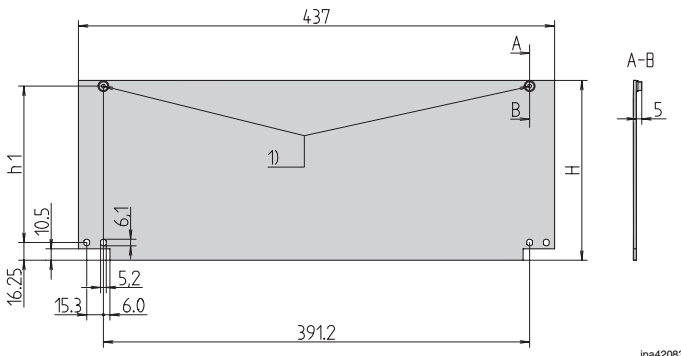
Order Information

Height U	Height H mm	h1 mm	Part no.
2	76.0	65.6	30828-055
3	120.5	110.0	30828-058
4	165.0	154.5	30828-061
6	253.8	243.4	30828-067

Note

- Delivery of the 19" chassis comprises assembly kit for the front panel

Front panels, bottom-hinged



1) Sleeve pressed-in

Delivery comprises

Item	Qty	Description
1	1	Full-width front panel, hinged, Al, 2.5 mm, anodised, cut edges plain; steel sleeve pressed-in

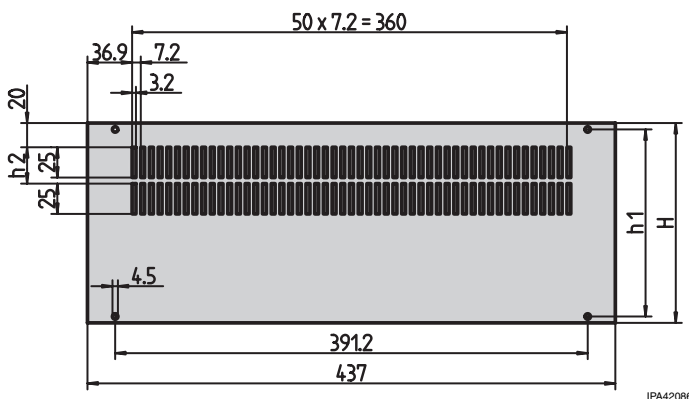
Order Information

Height U	Height H mm	h1 mm	Part no.
2	76.0	54.5	30828-085
3	120.5	99.0	30828-088
4	165.0	143.5	30828-091
6	253.8	232.3	30828-097
Hinge for front panel PPE, UL 94 V-0, 1 kit			20828-028

Note

- Please order hinge for front panel separately

Rear panels



Delivery comprises (kit)

Item	Qty	Description
1	1	Rear panel, including assembly kit, Al 2.5 mm, anodised, cut edges untreated

Order Information

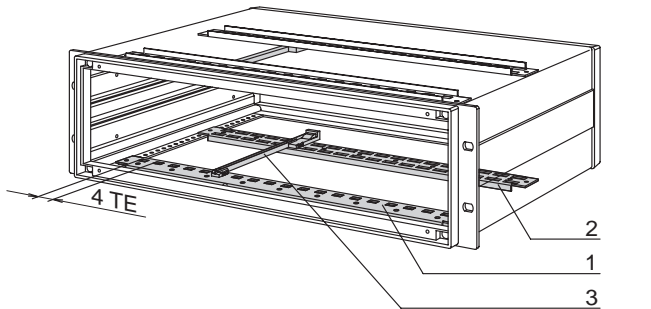
Height U	Height H mm	h1 mm	h2 mm	Part no.
2	76.0	65.6	–	30828-070
3	120.5	110.0	–	30828-073
4	165.0	154.5	–	30828-076
6	253.8	243.4	30	30828-082

Note

- Delivery of the 19" chassis comprises assembly kit for the front panel

19" chassis - *inpac*

Support rails



- Guide rails for PCBs 100 × 160 mm or 100 × 220 mm can be fitted

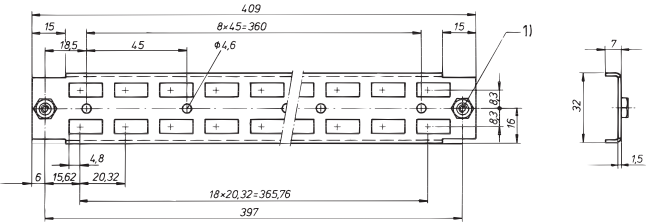
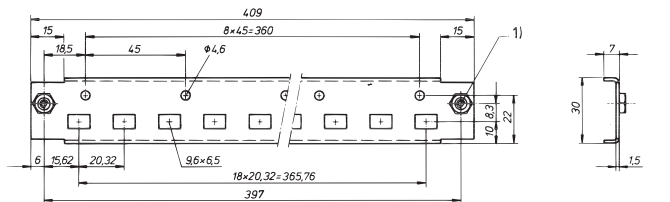
Order Information

Item	Description	Part no.
1	Front support rail, St, 1.5 mm, blue-passivated, 1 piece	30828-165
2	Rear support rail, St, 1.5 mm, blue-passivated, 1 piece	30828-174
3	Guide rail 160 mm, PBT, UL 94 V-0, with integrated fixture for connector to EN 60603 (DIN 41612), PU 1 pair	60817-078
3	Guide rail 220 mm, PBT, UL 94 V-0, with integrated fixture for connector to EN 60603 (DIN 41612), PU 1 pair	60817-079
Screw For horizontal rail assembly, M4 × 8, flat head Pozidrive, PU 100 pieces		21100-677

- More guide rails see page 6.113



For further information www.schroff.biz/oneclick
oneClick search code = Part no.



1) Press-in insert M4

a3-308xx

Horizontal rails

- For assembly with PCB
- Usable width 75 HP

Delivery comprises (components)

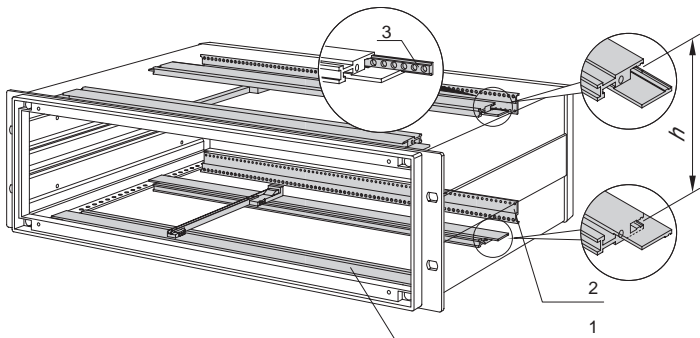
Item	Qty	Description
1	1	Horizontal rail, Al extrusion, anodised
2	1	Z-rail, Al extrusion, anodised
3	1	Threaded insert, St, zinc-plated (blue)

Order Information

Item	Description	Qty/PU	Part no.
1	Horizontal rail 75 HP	1	30828-128
2	Z-rail 75 HP, for DIN 41 612	1	30814-513
3	Threaded insert 75 HP	1	30819-604
Screw For horizontal rail assembly, M4 × 8, flat head Pozidrive, PU 100 pieces			21100-677
Cheesehead screw with slot M2.5 × 6, DIN 84, PU 100 pieces			21100-146
Guide rail 160 mm PBT, UL 94 V-0, with integrated fixture for connector to EN 60603 (DIN 41612), PU 1 pair			60817-078
Guide rail 220 mm PBT, UL 94 V-0, with integrated fixture for connector to EN 60603 (DIN 41612), PU 1 pair			60817-079

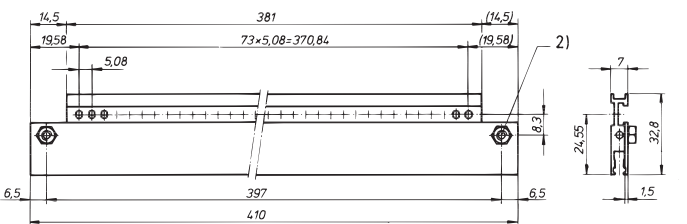
Note

- Threaded insert may not be used to front



h	Bolt-on dimensions of backplane
U	mm
2	75.40
3	119.80
4	164.30
6	252.90

IPA30640

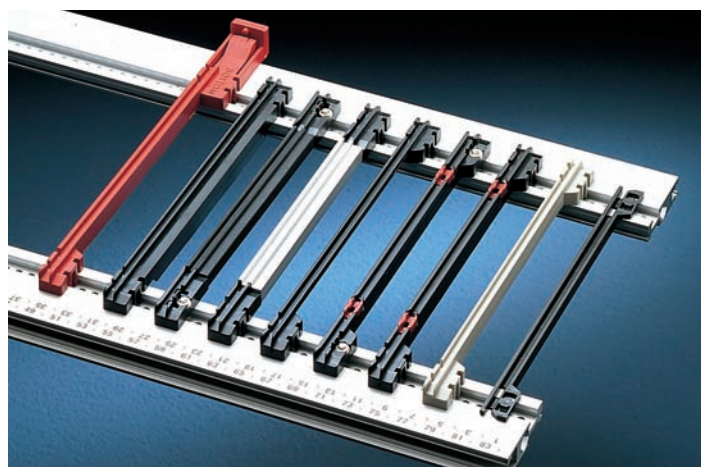


2) Press-in insert M4

A4-587

19" chassis - *inpac* Accessories

Guide rails



04292012

Order Information

Board lengths mm mm	Groove width mm mm	A42744		A42744		A42744		A42744	
		Light version, snap-in Part no. 1 piece (SPQ 50) ¹⁾	Standard version, snap-in Part no. 1 piece (SPQ 50) ¹⁾	Version with board securing, snap-in Part no. 1 piece (SPQ 50) ¹⁾	Version with board securing, bolt-on Part no. 1 piece (SPQ 50) ¹⁾	Version for heavy load carrying capacity, snap-in Part no. 1 piece (SPQ 50) ¹⁾	Version with ESD clip Part no. Qty/PU 1 piece	Universal version with AI middle section, bolt-on Part no. Qty/PU 1 piece	
100	2	-	60817-015	-	-	-	-	-	
160	2	60817-064	60817-103	60817-001	60817-053	60817-102	20817-368	-	
160	2.5	-	60817-076	-	-	-	-	-	
180	2	-	-	60817-026	-	-	-	-	
220	2	-	60817-149	60817-016	60817-083	60817-085	20817-369	-	
220	2.5	-	-	-	-	60817-098	-	-	
280	2	-	-	-	-	60817-080	-	-	
340	2	-	-	-	-	-	-	20825-120	
400	2	-	-	-	-	-	-	20825-121	

1) SPQ (Standard Pack Quantity): Order number includes 1 piece, but delivery is exclusively made in standard pack quantity (SPQ); please order at least the SPQ quantity or a multiple thereof

Note

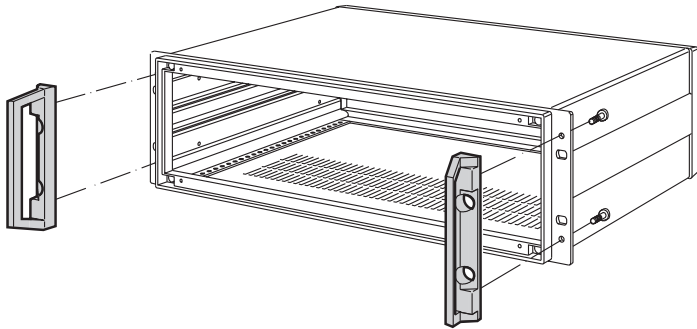
- For a detailed description of the guide rails see our website; if using oneClick, enter part number



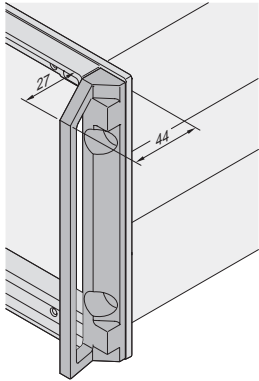
For further information www.schroff.biz/oneclick
oneClick search code = Part no.

19" chassis - *inpac*

Front handles



IPA30636



02108050

- Load-carrying capacity 35 kg per pair

Delivery comprises (kit)

Item	Qty	Description
1	2	Front handle, Al die-cast, powder-coated, RAL 7030 , incl. assembly kit

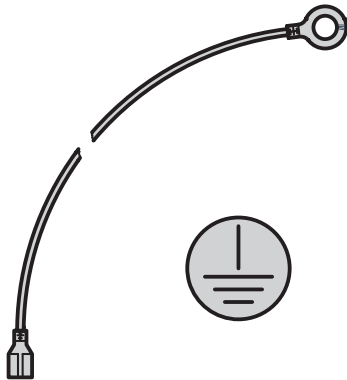
Order Information

Height	Part no.
U	
3	20828-127
4	20828-128
6	20828-129



For further information www.schroff.biz/oneclick
oneClick search code = Part no.

Earthing kit



aza43284

- The earthing kit ensures VDE compliant earthing of the cases in accordance with
 - DIN EN 50178/VDE 0160
 - DIN EN 60950/VDE 0805
 - DIN EN 61010-1/VDE 0411 part 1
 - DIN EN 61010-1A2/VDE 0411 part 1/A

- VDE inspection carried out

Order Information

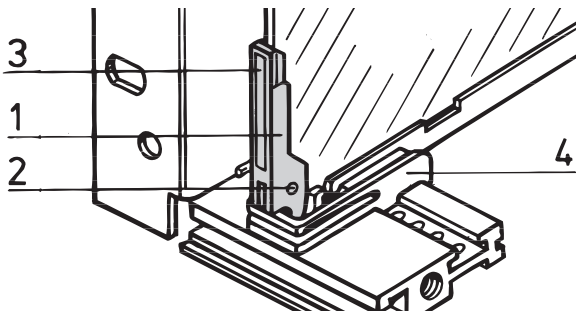
Description	Qty/PU	Part no.
GND/earthing kit, Cu wire, 1.5 mm ² , PVC sheathing, green/yellow, connects side panels, top and base plate and rear panel	1	21100-814



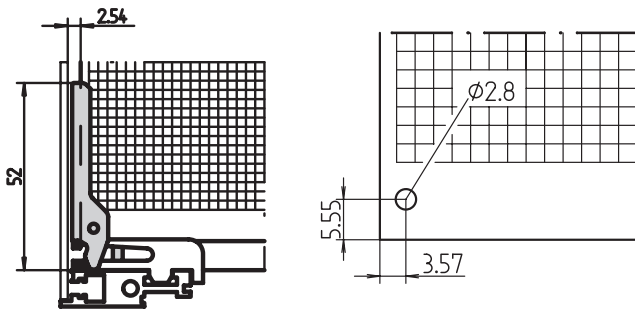
For further information www.schroff.biz/oneclick
oneClick search code = Part no.

19" chassis - *inpac*

PCB handle A



B4-2728



BZA42727 BZA42724

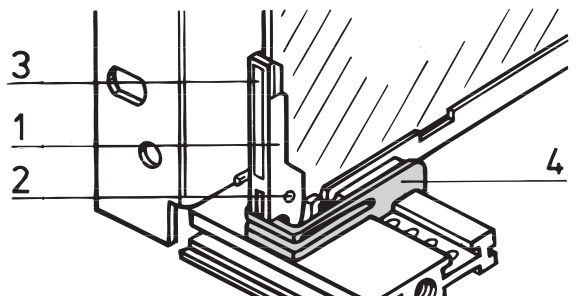
- To be mounted behind front panel, for PCB thickness 1.6 mm
- Insertion and extraction function
- Can be labelled

Order Information

Item	Description	Material	Colour	Qty/PU	Part no.
1	PCB handle A	PBT, UL 94 V-0	red	1 piece (SPQ 10)	60817-096
2	Pivot pin	Stainless steel	–	100	21100-671
3	Identification strip	Polyester film, self-adhesive	matt-silver	100	21100-672

SPQ (Standard Pack Quantity): Order number includes 1 piece, but delivery is exclusively made in Standard Pack Quantity: Therefore please order at least 10 pieces PCB handles or a multiple thereof

PCB retainer A



C4-2728

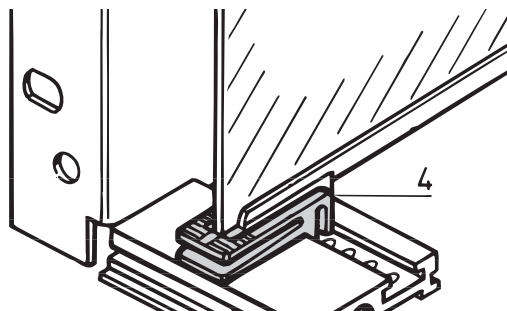
- Can be used on upper and lower horizontal rail, groove width 2 mm
- Minimum distance of guide rail 3 HP
- Can also be used without PCB handle

Order Information

Item	Description	Material	Colour	Qty	Part no.
4	PCB retainer A for top and bottom	PPE, UL 94 V-0	red	1 piece (SPQ 10)	60817-097

1) Order number includes 1 piece, but delivery is exclusively made in Standard Pack Quantity: Therefore please order at least 10 pieces PCB retainers or a multiple thereof

PCB retainer B



BZA46428

- Can be used on upper and lower horizontal rail, for PCB thickness 1.6 mm
- Can also be used without PCB handle
- Can also be used with guide blocks

Order Information

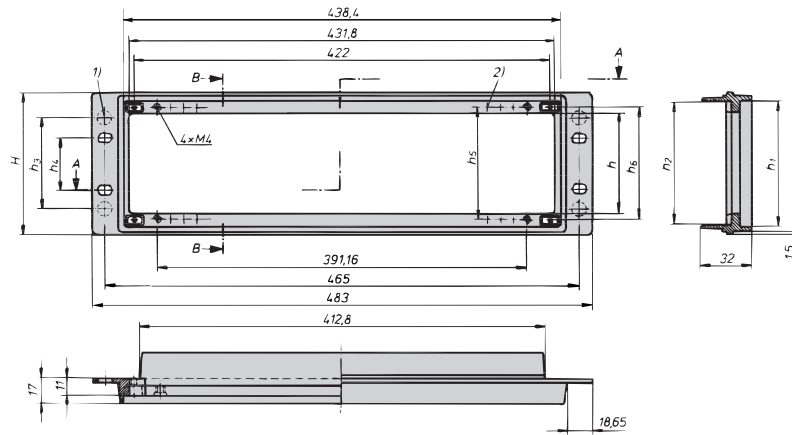
Item	Description	Material	Colour	Qty	Part no.
4	PCB retainer, bottom	PPE, UL 94 V-0	red	1 piece (SPQ 10)	60817-054
4a	PCB retainer, top	PPE, UL 94 V-0	black	1 piece (SPQ 10)	60817-071

SPQ (standard pack quantity): Order number includes 1 piece, but delivery is exclusively made in standard pack quantity: Therefore please order at least 10 pieces PCB retainers or a multiple thereof

19" chassis - *inpac*

Dimensions

19" front frame

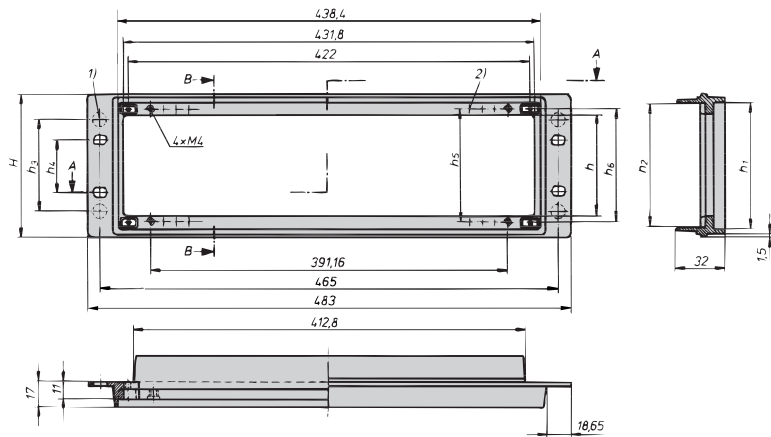


Section A-A

There are counterbores on the rear side of the front frame which can be drilled if required:

- 1) For handle assembly
- 2) For front panel assembly (grid 5.08 mm)

19" rear frame



Section A-A

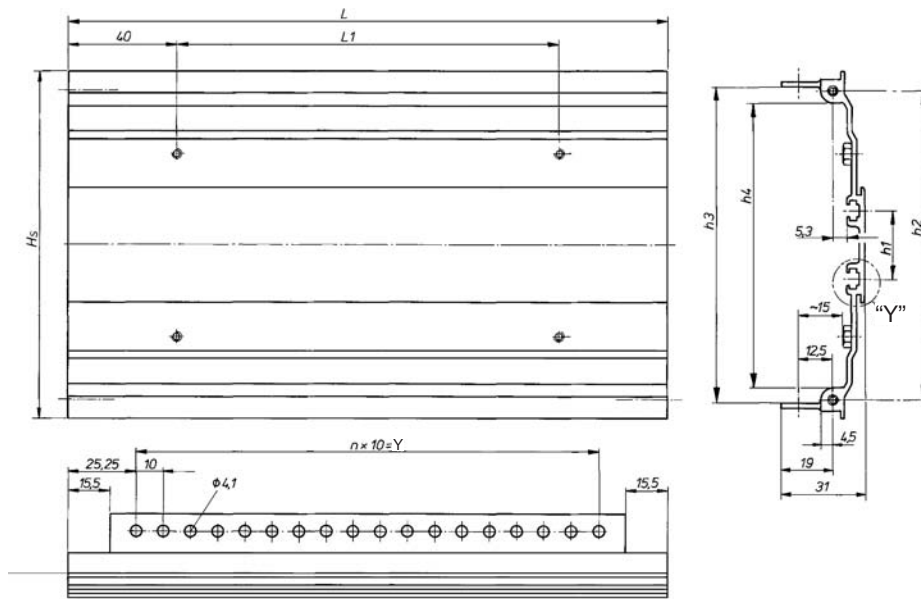
Dimensions table

Height in U	H	H _R	h	h ₁	h ₂	h ₃	h ₄	h ₅	h ₆	h ₇
2	88.0	86.0	57.5	77.3	69.8	25.0	76.2	65.5	68.0	68.4
3	132.5	130.5	102.5	121.8	114.3	90.0	57.1	110.0	112.5	112.8
4	177.0	175.0	146.5	166.3	158.8	134.5	101.6	154.5	157.0	157.3
6	265.9	263.9	235.4	255.2	247.7	233.4	190.4	243.4	245.9	245.9

19" chassis - *inpac*

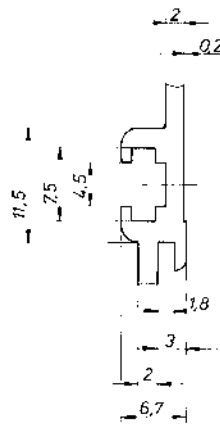
Dimensions

Side panel



A3-304a

Detail "Y"



A3-304b

Dimensions table

Height in U	H	h_1	h_2	h_3	h_4	L	L_1	(n)	Y	t
2	82.6	—	68.0	71.4	59.0	220.5	140.5	17.0	170	254.5
2	82.6	—	68.0	71.4	59.0	280.5	200.5	23.0	230	314.5
2	82.6	—	68.0	71.4	59.0	340.5	260.5	29.0	290	374.5
3	127.0	24.0	112.5	115.8	103.5	220.5	140.5	17.0	170	254.5
3	127.0	24.0	112.5	115.8	103.5	280.5	200.5	23.0	230	314.5
3	127.0	24.0	112.5	115.8	103.5	340.5	260.5	29.0	290	374.5
4	171.0	68.5	157.0	160.3	148.0	220.5	140.5	17.0	170	254.5
4	171.0	68.5	157.0	160.3	148.0	280.5	200.5	23.0	230	314.5
4	171.0	68.5	157.0	160.3	148.0	340.5	260.5	29.0	290	374.5
6	260.4	157.1	245.9	248.9	236.5	220.5	140.5	17.0	170	254.5
6	260.4	157.1	245.9	248.9	236.5	280.5	200.5	23.0	230	314.5
6	260.4	157.1	245.9	248.9	236.5	340.5	260.5	29.0	290	374.5