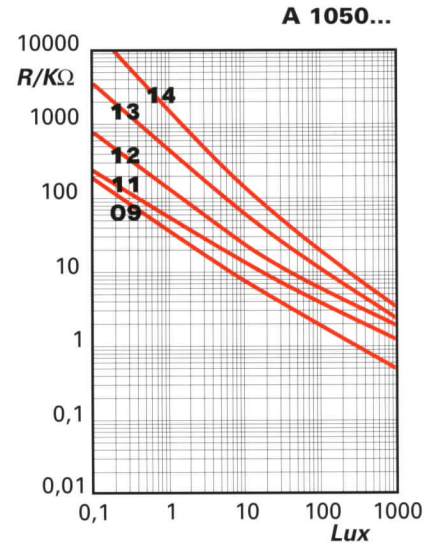
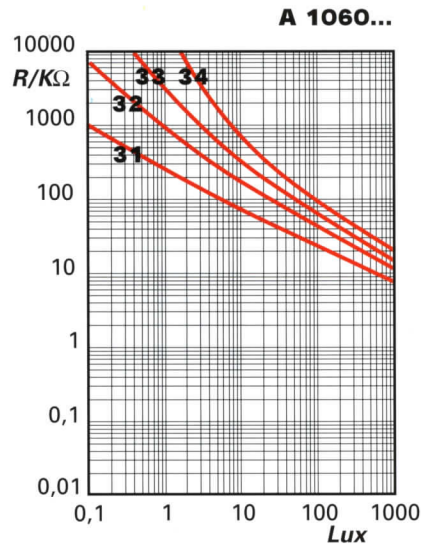
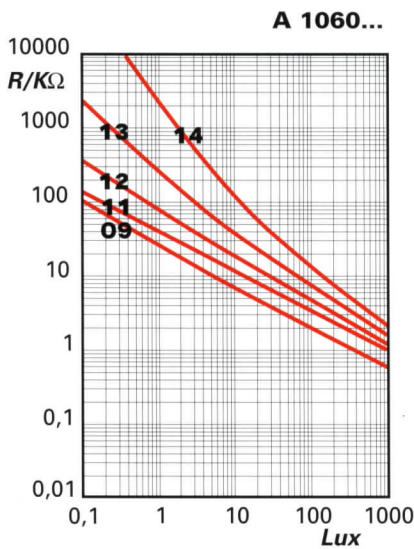
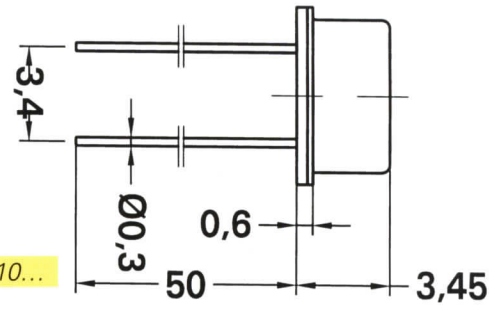


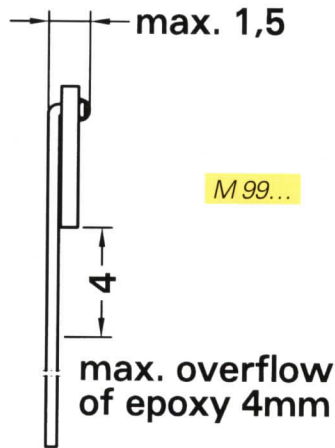
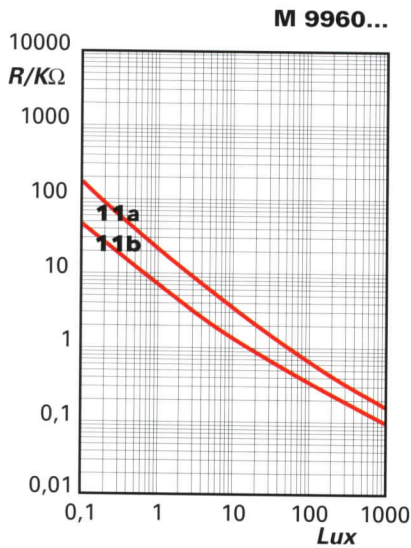
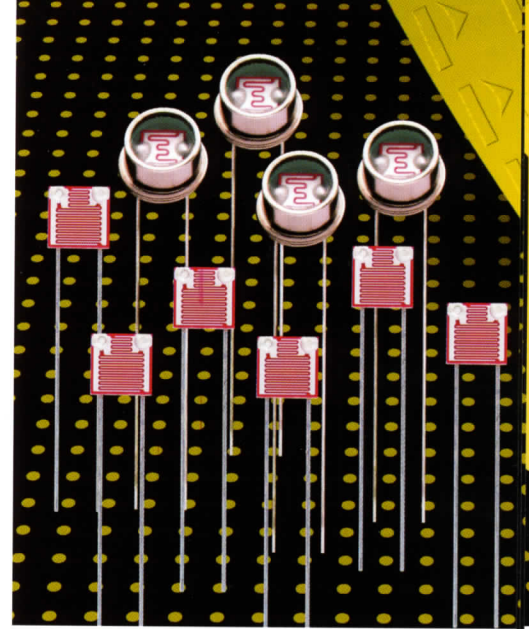
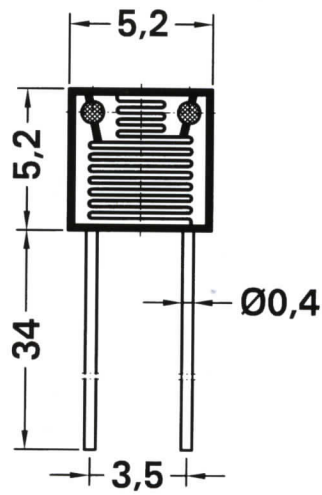
A 1060...
A 1050...
M 9960...



Typical Electro-Optical Characteristics

Type	R 10 [kΩ]	R 100 typ. [kΩ]	R01 min. [MΩ]	R05 min. [MΩ]	$\gamma_{10/100}$ typ.	λ_{peak} [nm]
<i>all readings taken at standard light A (2854 K color temperature) after 2 hours of preillumination at 500 lux</i>						
A 1060 09	4 ... 11	2	0.04	0.12	0.65	600
A 1060 11	9 ... 20	3.5	0.06	0.18	0.65	600
A 1060 12	16 ... 33	5	0.18	0.5	0.7	600
A 1060 13	27 ... 94	8	0.5	1.5	0.8	600
A 1060 14	77 ... 340	15	1.5	5.0	0.9	600
A 1060 31	60 ... 130	23	0.4	1.2	0.65	600
A 1060 32	120 ... 210	35	1.0	3.0	0.7	600
A 1060 33	200 ... 580	50	3.0	9.0	0.8	600
A 1060 34	500 ... 1200	100	5.0	15.0	0.9	600
A 1050 09	4 ... 11	2	0.04	0.12	0.65	530
A 1050 11	9 ... 22	4	0.05	0.15	0.6	530
A 1050 12	18 ... 44	7	0.15	0.45	0.65	530
A 1050 13	36 ... 88	12	0.4	1.2	0.7	530
A 1050 14	70 ... 200	20	1.0	3.0	0.75	530
M 9960 11a	1.5 ... 5.0	0.7	0.05	0.15	0.7	600
M 9960 11b	0.8 ... 2.0	0.4	0.05	0.15	0.65	600

**customized selections available on request*



Limit Values

Top range [°C]	T _{st} range [°C]	TC 10 lux [%/°K]	t _{on} typ. [msec]	t _{off} typ. [msec]	V _{max} [V]	P _{max} [mW]
-20 ... +70	-20 ... +80	0.4	50	40	100	90
-20 ... +70	-20 ... +80	0.3	60	40	150	90
-20 ... +70	-20 ... +80	0.35	50	35	150	90
-20 ... +70	-20 ... +80	0.4	35	30	150	90
-20 ... +70	-20 ... +80	0.5	25	20	150	90
-20 ... +70	-20 ... +80	0.3	60	40	300	90
-20 ... +70	-20 ... +80	0.35	50	35	300	90
-20 ... +70	-20 ... +80	0.4	35	30	300	90
-20 ... +70	-20 ... +80	0.5	25	20	300	90
-20 ... +70	-20 ... +80	0.3	70	50	100	90
-20 ... +70	-20 ... +80	0.2	70	50	150	90
-20 ... +70	-20 ... +80	0.2	60	40	150	90
-20 ... +70	-20 ... +80	0.3	50	30	150	90
-20 ... +70	-20 ... +80	0.3	40	30	150	90
-20 ... +70	-20 ... +80	0.3	50	30	100	200
-20 ... +70	-20 ... +80	0.3	40	30	100	200