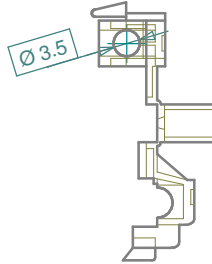
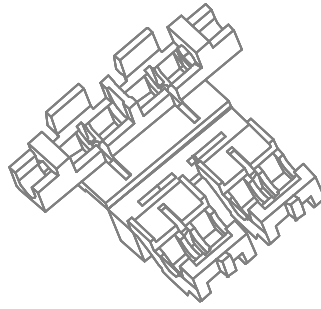
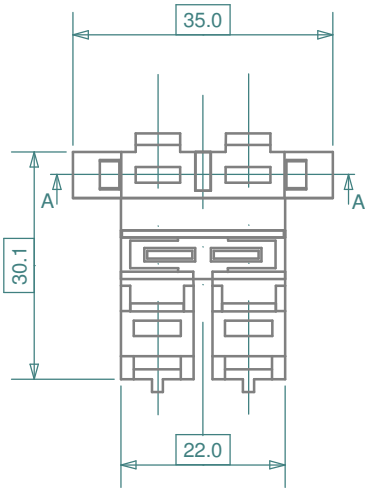


section A - A



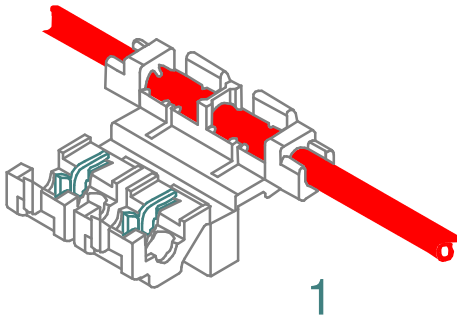
Notes:

- suited for cable 0.75 - 1.5mm²
- max. cable insulation Ø 3.5mm
- max. 20A fuse

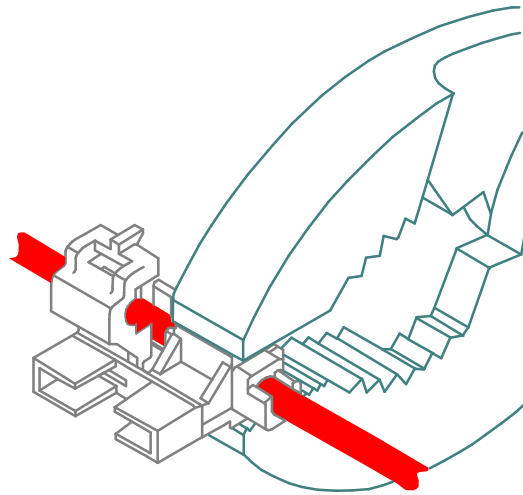
Materials:

- Housing: PA66, blue
- Contacts: Sn plated CU alloy

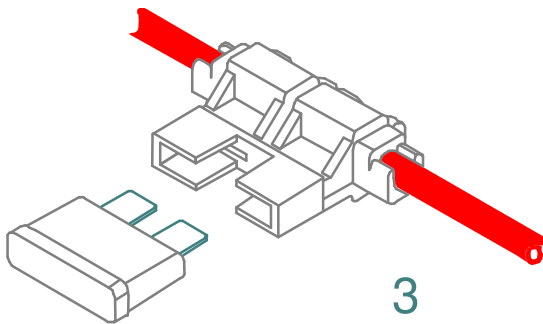
Application Instructions:



1



2



3

- cut wire, but do not strip insulation
- insert cable end up to stop (1)
- close connector half, crimp with suitable pliers (2)
- repeat for other side (2)
- ready to install fuse, max. 20A (3)

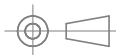
Revisions

Date	Type	Drawn	Date	Appr.
		Checked	02/08	AdH
		Standards		
		Approved		



Scale 1 : 1

Projection



Tolerance
± 0.2 mm unless
otherwise noted

Title	H1972 series, normOTO blade fuse holder
Drawing type	schematic
Drawing number	H1972 drawing 1
Sheet	1 of 1
Layers / Sheet	0 1 2 3 4 5 6 8 9 10 11 Sheet 01