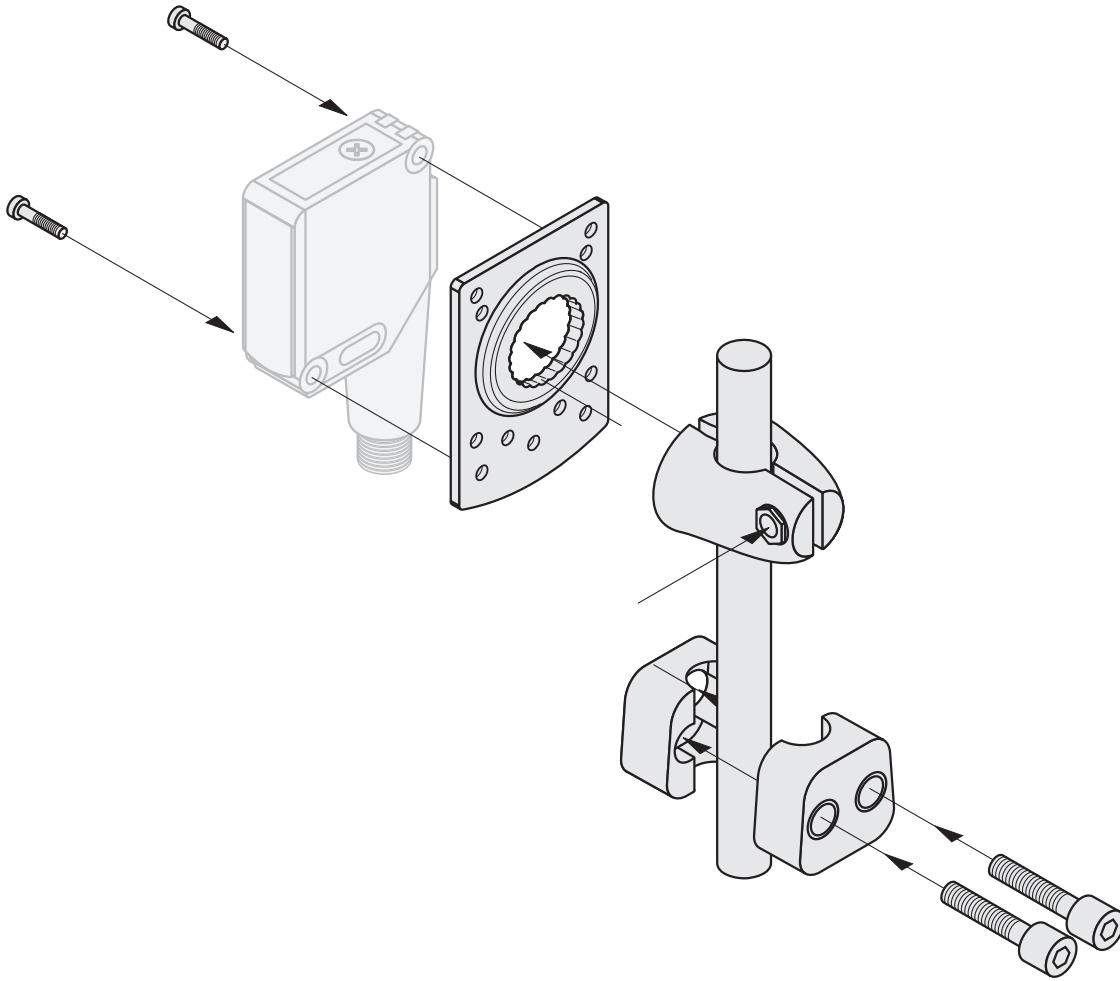




Universal bar clamp systems

Sensor mounting with the highest flexibility and functionality

Principle of operation



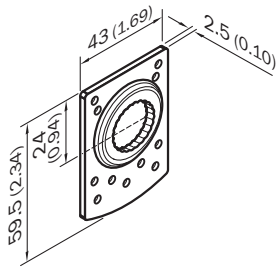
BEF-KHS-N02(N)

Plate N02(N) for universal bar clamp

Universal bar clamp system

Dimensional drawing

Technical data



All dimensions in mm (inch)

Material	See ordering information
Delivery	Incl. universal bar clamp, mounting material

Ordering information

Model name	Part No.
BEF-KHS-N02 ¹⁾	2051608
BEF-KHS-N02N ²⁾	2051618

- ¹⁾ Plate: Steel, galvanized;
Clamp: Die-cast zinc
- ²⁾ Plate: Stainless steel (1.4571)
Clamp: Stainless steel (1.4408)

W4S-3 INOX

W11-2

W12-3

W160

W250

P250

UC12

KT2



DT2



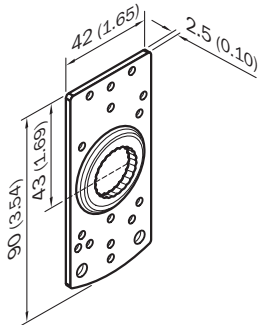
Universal bar clamp systems

BEF-KHS-N03(N)

Universal bar clamp system

Plate N03(N) for universal bar clamp

Dimensional drawing



All dimensions in mm (inch)

Technical data

Material	See ordering information
Delivery	Incl. universal bar clamp, mounting material

Ordering information

Model name	Part No.
BEF-KHS-N03 ¹⁾	2051609
BEF-KHS-N03N ²⁾	2051619

- ¹⁾ Plate: Steel, galvanized;
Clamp: Die-cast zinc
²⁾ Plate: Stainless steel (1.4571)
Clamp: Stainless steel (1.4408)

W11-2



W12-3



W14-2



W18-3



W24-2



UC12



KT2



DT2



DT10



PL20A



PL30A



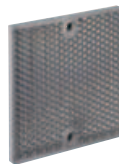
PL40A



PL50A



PL80A



P250



BEF-KHS-N04(N)

Universal bar clamp system

Plate N04(N) for universal bar clamp

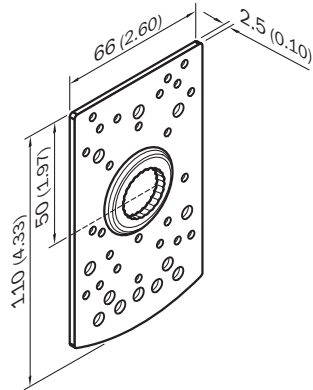
Dimensional drawing

Technical data

Material	See ordering information
Delivery	Incl. universal bar clamp, mounting material

Ordering information

Model name	Part No.
BEF-KHS-N04 ¹⁾	2051610
BEF-KHS-N04N ²⁾	2051620



All dimensions in mm (inch)

W11-2	W12-3	W14-2	W18-3	W23-2	W24-2	W27-3	W260
W280	W30	W32	W34	W36	PL20A	PL40A	PL50A
PL80A	P250	UC12	KT2	DT2	DT10	DS30	DS40
DT50/DS50/DL50	DT60/DS60/DL60						

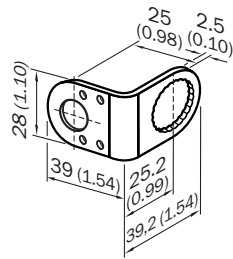
BEF-KHS-N05(N)

Universal bar clamp system



Plate N05(N) for universal bar clamp

Dimensional drawing



All dimensions in mm (inch)

Technical data

Material	See ordering information
Delivery	Incl. universal bar clamp, mounting material

Ordering information

Model name	Part No.
BEF-KHS-N05 ¹⁾	2051611
BEF-KHS-N05N ²⁾	2051621

¹⁾ Plate: Steel, galvanized;
Clamp: Die-cast zinc

²⁾ Plate: Stainless steel (1.4571)
Clamp: Stainless steel (1.4408)

W4-3



V12-2



IM12



IME12



IMF12



MM12



UC4



BEF-KHS-N06(N)

Universal bar clamp system

Plate N06(N) for universal bar clamp

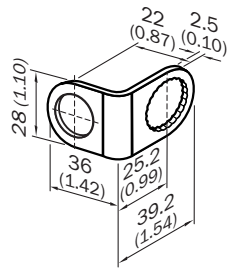
Dimensional drawing

Technical data

Material	See ordering information
Delivery	Incl. universal bar clamp, mounting material

Ordering information

Model name	Part No.
BEF-KHS-N06 ¹⁾	2051612
BEF-KHS-N06N ²⁾	2051622



All dimensions in mm (inch)

- ¹⁾ Plate: Steel, galvanized;
Clamp: Die-cast zinc
- ²⁾ Plate: Stainless steel (1.4571)
Clamp: Stainless steel (1.4408)

W15

MH15

V18

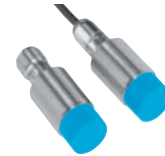
V180-2

IM18

IME18

IMF18

MM18



CM18

UM18

KT1M

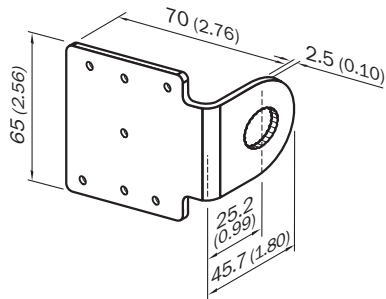


BEF-KHS-N07(N)

Universal bar clamp system

Plate N07(N) for universal bar clamp

Dimensional drawing



All dimensions in mm (inch)

Technical data

Material	See ordering information
Delivery	Incl. universal bar clamp, mounting material

Ordering information

Model name	Part No.
BEF-KHS-N07 ¹⁾	2051613
BEF-KHS-N07N ²⁾	2051623

¹⁾ Plate: Steel, galvanized;
Clamp: Die-cast zinc

²⁾ Plate: Stainless steel (1.4571)
Clamp: Stainless steel (1.4408)

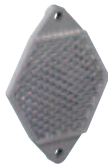
PL20A



PL40A



PL50A



P250



C110A



BEF-KHS-N08(N)

Universal bar clamp system

Plate N08(N) for universal bar clamp

Dimensional drawing

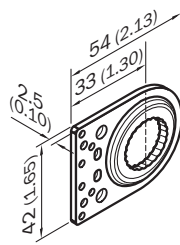
Technical data

Material	See ordering information
Delivery	Incl. universal bar clamp, mounting material

Ordering information

Model name	Part No.
BEF-KHS-N08 ¹⁾	2051607
BEF-KHS-N08N ²⁾	2051616

- ¹⁾ Plate: Steel, galvanized;
Clamp: Die-cast zinc
- ²⁾ Plate: Stainless steel (1.4571)
Clamp: Stainless steel (1.4408)



All dimensions in mm (inch)

W4-3 W4S-3 W8 W100 W140-2 W150 W170 W9-3



KT3 KT5-2 KT8/ KT10-2 CS8 CSL1 LUT2-2 LUT3/LUT8/LUT9 CSM1



BEF-KHS-KH3(N)

Universal bar clamp system

Universal bar clamp

Dimensional drawing

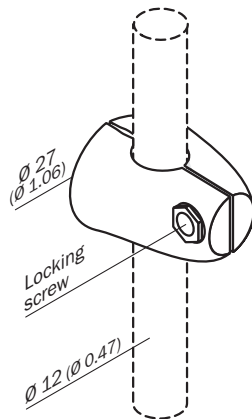
Technical data

Material	See ordering information
-----------------	--------------------------

Ordering information

Model name	Part No.
BEF-KHS-KH3 ¹⁾	5322626
BEF-KHS-KH3N ²⁾	5322627

- ¹⁾ Die-cast zinc
- ²⁾ Stainless steel (1.4408)



All dimensions in mm (inch)

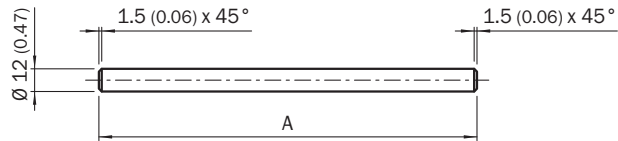
BEF-MS12G-(N)x

Universal bar clamp system



Mounting rod straight

Dimensional drawing



All dimensions in mm (inch)

Technical data

Material

See ordering information

Ordering information

Model name	Part No.	Size A
BEF-MS12G-A ¹⁾	4056054	200 mm
BEF-MS12G-NA ²⁾	4058914	200 mm
BEF-MS12G-B ¹⁾	4056055	300 mm
BEF-MS12G-NB ²⁾	4058915	300 mm

¹⁾ Steel, galvanized

²⁾ Stainless steel (1.4571)

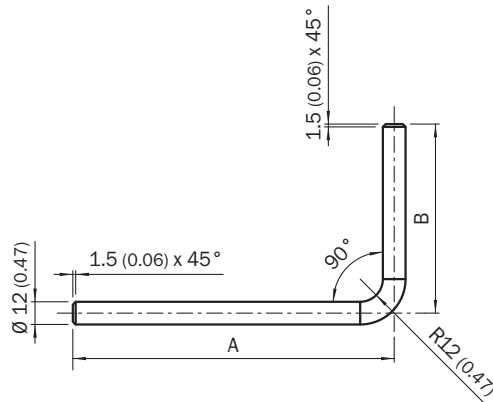
BEF-MS12L-(N)x

Universal bar clamp system



Mounting rod L-shape

Dimensional drawing



All dimensions in mm (inch)

Technical data

Material

See ordering information

Ordering information

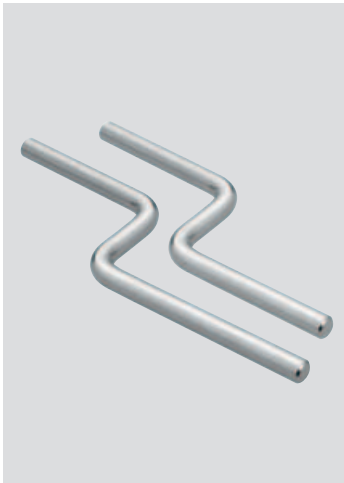
Model name	Part No.	Size A	Size B
BEF-MS12L-A ¹⁾	4056052	150 mm	150 mm
BEF-MS12L-NA ²⁾	4058912	150 mm	150 mm
BEF-MS12L-B ¹⁾	4056053	250 mm	250 mm
BEF-MS12L-NB ²⁾	4058913	250 mm	250 mm

¹⁾ Steel, galvanized

²⁾ Stainless steel (1.4571)

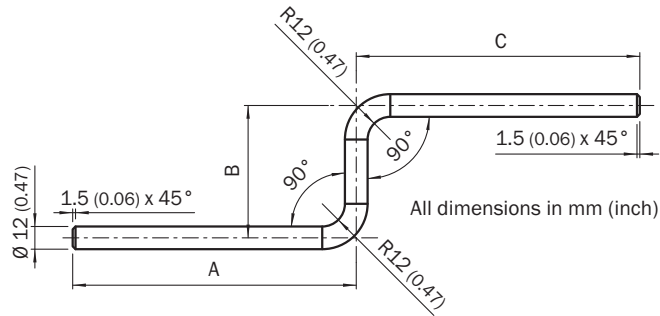
BEF-MS12Z-(N)x

Universal bar clamp system



Mounting rod Z-shape

Dimensional drawing



Technical data

Material	See ordering information
-----------------	--------------------------

Ordering information

Model name	Part No.	Size A	Size B	Size C
BEF-MS12Z-A ¹⁾	4056056	150 mm	70 mm	150 mm
BEF-MS12Z-NA ²⁾	4058916	150 mm	70 mm	150 mm
BEF-MS12Z-B ¹⁾	4056057	150 mm	70 mm	250 mm
BEF-MS12Z-NB ²⁾	4058917	150 mm	70 mm	250 mm

¹⁾ Steel, galvanized
²⁾ Stainless steel (1.4571)

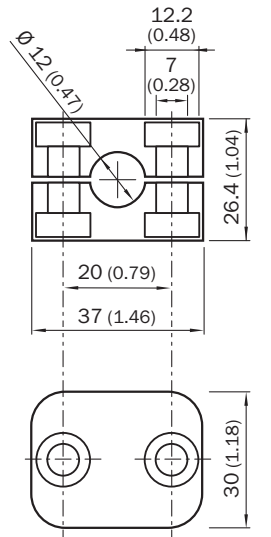
BEF-RMC-D12

Universal bar clamp system



Rod mounting clamp

Dimensional drawing



All dimensions in mm (inch)

Technical data

Material	
Clamp	Aluminium
Screws, spring washers	Steel, zinc/nickel-coated
Delivery	2 x screws M6 x 30, 2 x spring washers

Ordering information

Model name	Part No.
BEF-RMC-D12	5321878

Australia

Phone +61 3 9497 4100
1800 33 48 02 - tollfree
E-Mail sales@sick.com.au

Belgium/Luxembourg

Phone +32 (0)2 466 55 66
E-Mail info@sick.be

Brasil

Phone +55 11 3215-4900
E-Mail sac@sick.com.br

Ceská Republika

Phone +420 2 57 91 18 50
E-Mail sick@sick.cz

China

Phone +852-2763 6966
E-Mail ghk@sick.com.hk

Danmark

Phone +45 45 82 64 00
E-Mail sick@sick.dk

Deutschland

Phone +49 211 5301-301
E-Mail kundenservice@sick.de

España

Phone +34 93 480 31 00
E-Mail info@sick.es

France

Phone +33 1 64 62 35 00
E-Mail info@sick.fr

Great Britain

Phone +44 (0)1727 831121
E-Mail info@sick.co.uk

India

Phone +91-22-4033 8333
E-Mail info@sick-india.com

Israel

Phone +972-4-999-0590
E-Mail info@sick-sensors.com

Italia

Phone +39 02 27 43 41
E-Mail info@sick.it

Japan

Phone +81 (0)3 3358 1341
E-Mail support@sick.jp

Nederlands

Phone +31 (0)30 229 25 44
E-Mail info@sick.nl

Norge

Phone +47 67 81 50 00
E-Mail austefjord@sick.no

Österreich

Phone +43 (0)22 36 62 28 8-0
E-Mail office@sick.at

Polska

Phone +48 22 837 40 50
E-Mail info@sick.pl

Republic of Korea

Phone +82-2 786 6321/4
E-Mail info@sickkorea.net

Republika Slovenija

Phone +386 (0)1-47 69 990
E-Mail office@sick.si

România

Phone +40 356 171 120
E-Mail office@sick.ro

Russia

Phone +7 495 775 05 34
E-Mail info@sick-automation.ru

Schweiz

Phone +41 41 619 29 39
E-Mail contact@sick.ch

Singapore

Phone +65 6744 3732
E-Mail admin@sicksgp.com.sg

Suomi

Phone +358-9-25 15 800
E-Mail sick@sick.fi

Sverige

Phone +46 10 110 10 00
E-Mail info@sick.se

Taiwan

Phone +886 2 2375-6288
E-Mail sales@sick.com.tw

Türkiye

Phone +90 216 587 74 00
E-Mail info@sick.com.tr

United Arab Emirates

Phone +971 4 8865 878
E-Mail info@sick.ae

USA/Canada/México

Phone +1(952) 941-6780
1 800-325-7425 - tollfree
E-Mail info@sickusa.com

More representatives and agencies
in all major industrial nations at
www.sick.com