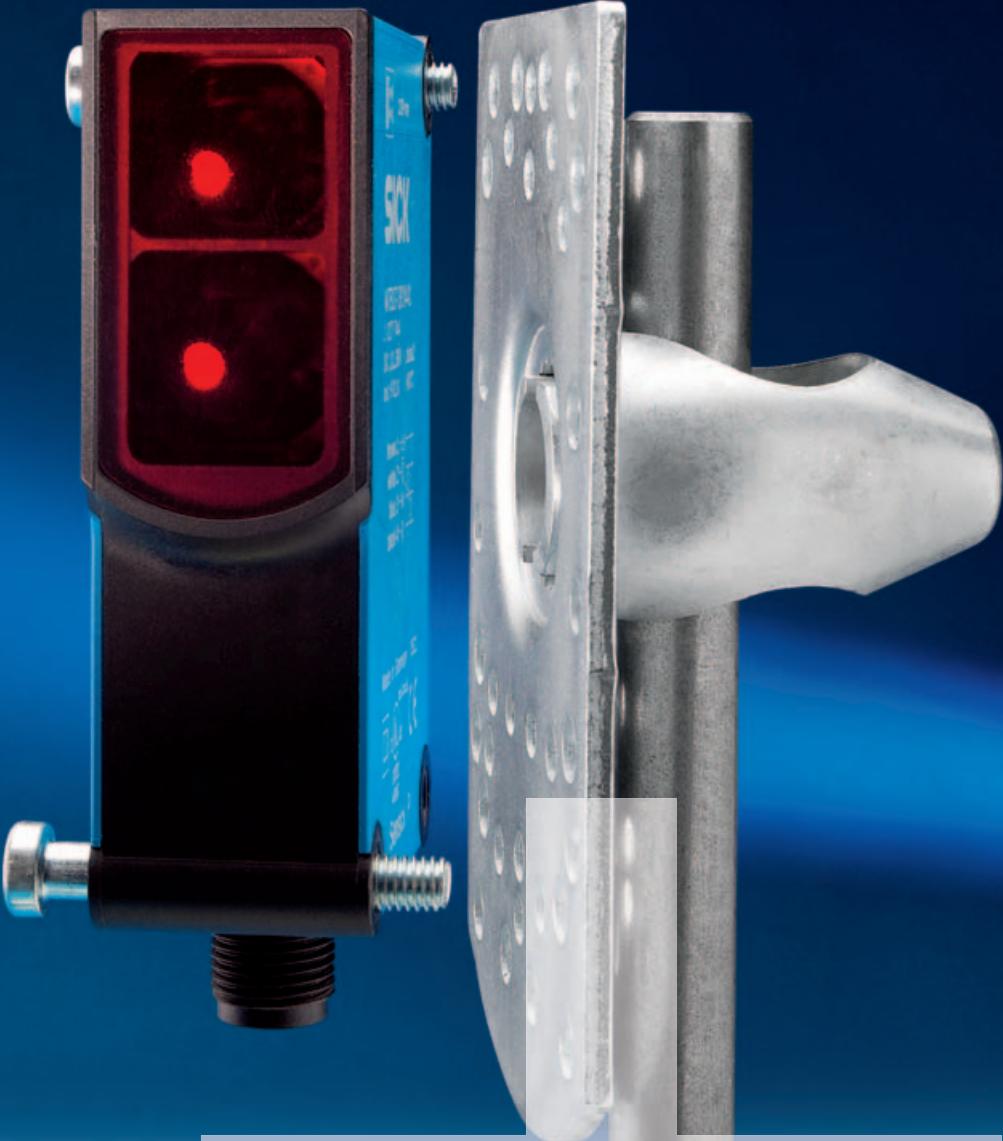




## Mounting systems for industrial sensors

Universal bar clamp systems, mounting brackets,  
protective devices, alignment brackets and  
mountings for cylinder sensors

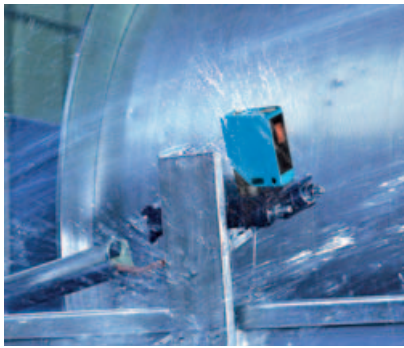
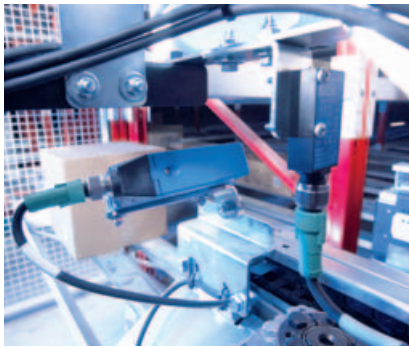
Creating a firm hold and keeping the elements out –  
mounting and protection for industrial sensors



Sensors

Mounting systems





## A winning combination

Worldwide, SICK is a renowned specialist in the field of industrial sensors. Accurate integration of these sensors into industrial installations requires mounting concepts precisely matched to SICK sensors. Sensors and mounting systems from SICK – a winning combination.

## From the electronics industry to heavy industry

Different applications mean different requirements from sensors and accessories. Whether fine adjustment on precision machines or protection from extreme ambient conditions, e.g. in the steel industry, SICK offers appropriate concepts for assembly, alignment and protection of industrial SICK sensors.

## Efficiency and functionality

SICK sensors ensure reliable plant and machine processes worldwide, in many different industries and applications. This requires clever assembly solutions minimising installation requirements for sensors and, simultaneously, ensuring flexibility and operational safety. Mounting systems from SICK – efficient and functional.

**Legend  
Mounting Elements**

- Universal bar clamp system BEF...
- Mounting brackets BEF...
- Special accessories BEF...
- Protective devices
- Clamping and alignment brackets BEF...
- Mounting for cylinder sensors BEF...

**Sensor Technology**

SICK

**Mounting Systems**

Universal bar clamp systems  
Universalklemmsystem

Protective devices  
Schutzvorrichtungen

Mounting for cylinder sensors  
Halterungen für Zylindersensoren

Special accessories  
Sonderzubehör

**A clever turn**

The SICK turntable shows, at a glance, which mounting option is needed for which sensor. Simply turn the required sensor into the punched window and, using the colour coding, identify the mounting option and catalogue page. The catalogue page contains the dimensional drawings, scope of delivery and further detailed information.



# SICK mountings and protective devices matched to SICK sensors: the perfect team for diverse applications in many different industries

## UNIVERSAL BAR CLAMP SYSTEMS for cuboid/round sensors and reflectors



**The most flexible solution** where sensors need to be fixed by means of a bar. Universal bar clamp systems offer secure fixing and variable alignment options.

## MOUNTING BRACKETS for cuboid/round sensors and light grids



**The versatile alternative** for all types of sensors and light grids. Floor or wall mounted, articulated arm or rotary bracket: mounting accessories from SICK solve almost any problem.

## PROTECTIVE DEVICES for cuboid sensors



**When it gets difficult**, SICK protective devices offer optimum protection for optical sensors. Protective housings with cable protection, dust shields with air purging or weather hoods protect SICK sensors from aggressive environments and mechanical damage.

## MOUNTINGS FOR CYLINDER SENSORS



**Adapters** for cylinder sensors from SICK ensure perfect interaction of sensors and pneumatic cylinders. Whether round body, profile or tie-rod cylinders, SICK offers the matching sensor mounting accessories, from clamps to straps.





## CLAMPING AND ALIGNMENT BRACKETS

for cuboid/round sensors



**Flexible alignment, quick mounting,** thanks to ball joints, spring bearings and clever fixing components, SICK sensors are always adjusted quickly, accurately and safely.

## SPECIAL ACCESSORIES

for cuboid sensors



**Lens masks, cooling plates and polarisation filters** support SICK sensors in critical applications, making an important contribution to system reliability.

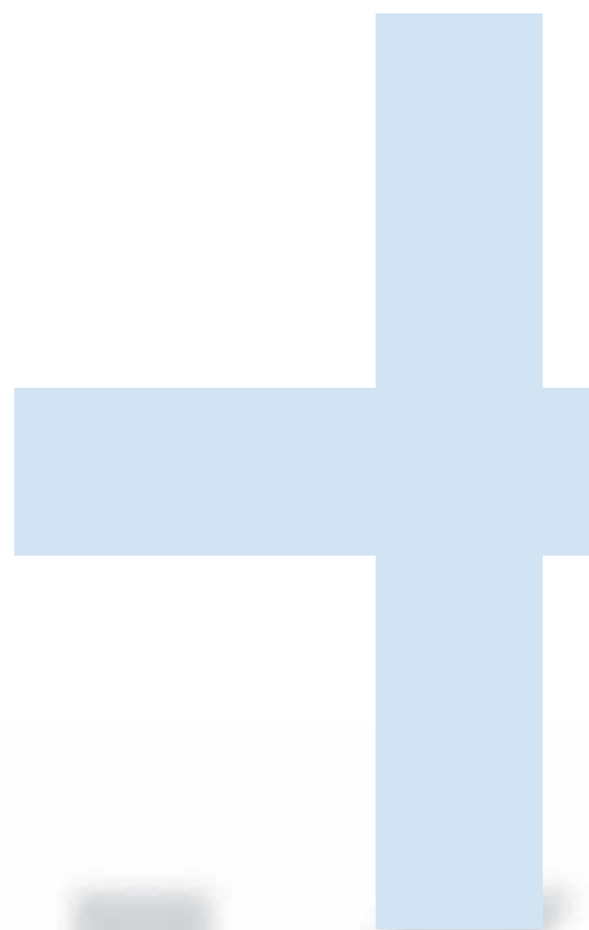
## Contents

Universal bar clamp systems	page 8
Mounting brackets	page 22
Clamping and alignment brackets	page 50
Protective devices	page 62
Mountings for cylinder sensors	page 70
Special accessories	page 80

A clever turn

# TYPES- OVERVIEW





SICK



# Universal bar clamp systems – the most flexible solution

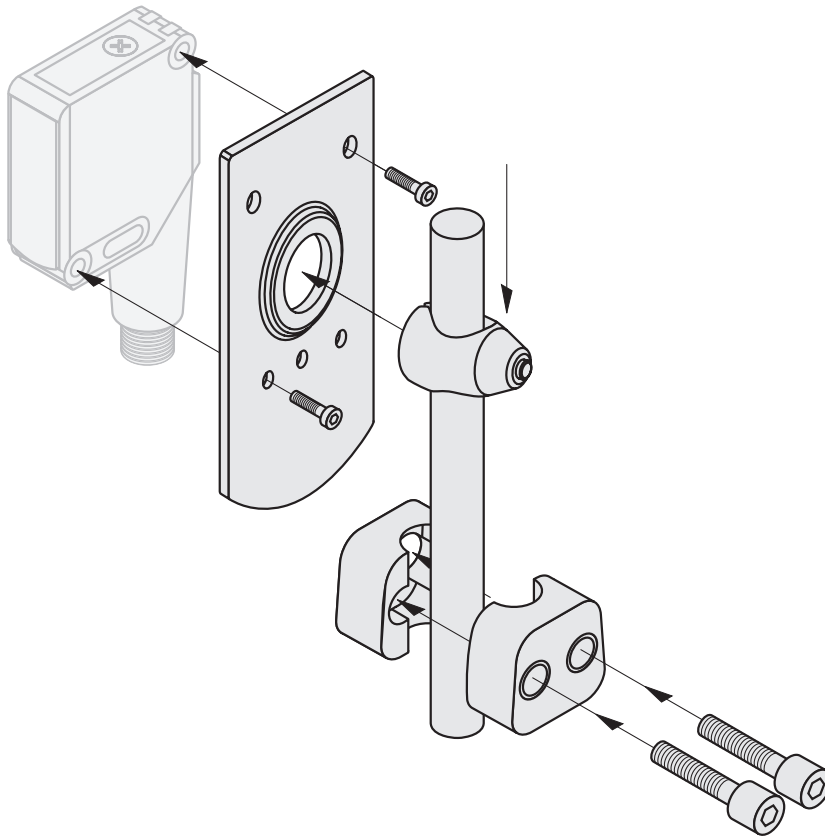




With the SICK universal bar clamp system, equipping industrial installations with SICK sensors is easier than ever before! The large selection of sensor mounting plates, in conjunction with different mounting rods, offers maximum flexibility, secure fixing and versatile alignment options for almost any application. At SICK, you will find everything you need for this!

# UNIVERSAL BAR CLAMP SYSTEMS →

## Principle of operation

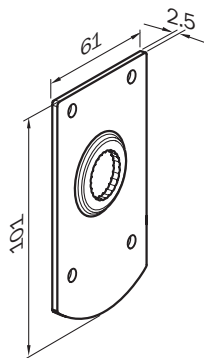


### BEF-KHS-A01

Universal bar clamp system

#### Plate A for universal bar clamp

#### Dimensional drawing



#### Technical data

Material	
Plate	Steel, galvanised
Clamp	Zinc, die-cast
Delivery	
incl. universal bar clamp and mounting material	

#### Order information

Type	Order no.
BEF-KHS-A01	2022458

W23-2

W27-3

DS30





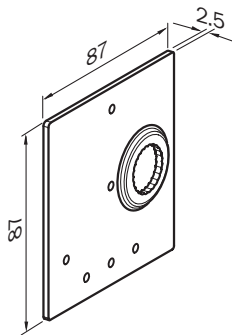
**BEF-KHS-B01**

**Plate B for universal bar clamp**

Universal bar clamp system

Dimensional drawing

Technical data



Material	
Plate	Steel, galvanised
Clamp	Zinc, die-cast
Delivery	
incl. universal bar clamp and mounting material	

Order information

Type	Order no.
BEF-KHS-B01	2022459

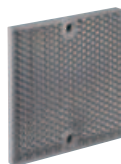
P250

PL40A

PL50A

PL80A

C110A



**BEF-KHS-C01**

**Plate C for universal bar clamp**

Universal bar clamp system

Dimensional drawing

Technical data



Material	
Plate	Steel, galvanised
Clamp	Zinc, die-cast
Delivery	
incl. universal bar clamp and mounting material	

Order information

Type	Order no.
BEF-KHS-C01	2022460

W14-2

W18-3

DT10

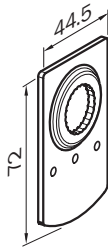


## BEF-KHS-D01

Universal bar clamp system

### Plate D for universal bar clamp

#### Dimensional drawing



#### Technical data

Material	
Plate	Steel, galvanised
Clamp	Zinc, die-cast
Delivery	
incl. universal bar clamp and mounting material	

#### Order information

Type	Order no.
BEF-KHS-D01	2022461

W11-2

W12-3

UC12

KT2

DT2

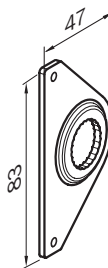


## BEF-KHS-E01

Universal bar clamp system

### Plate E for universal bar clamp

#### Dimensional drawing



#### Technical data

Material	
Plate	Steel, galvanised
Clamp	Zinc, die-cast
Delivery	
incl. universal bar clamp and mounting material	

#### Order information

Type	Order no.
BEF-KHS-E01	2022462

W30

W32

W34

W36



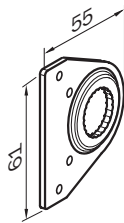
**BEF-KHS-F01**

**Plate F for universal bar clamp**

Universal bar clamp system

Dimensional drawing

Technical data



Material	
Plate	Steel, galvanised
Clamp	Zinc, die-cast
Delivery	
incl. universal bar clamp and mounting material	

Order information

Type	Order no.
BEF-KHS-F01	2022463

W260

W280

PL20A

P250



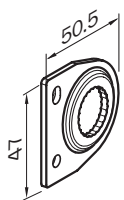
**BEF-KHS-G01**

**Plate G for universal bar clamp**

Universal bar clamp system

Dimensional drawing

Technical data



Material	
Plate	Steel, galvanised
Clamp	Zinc, die-cast
Delivery	
incl. universal bar clamp and mounting material	

Order information

Type	Order no.
BEF-KHS-G01	2022464

W24-2

LUT3

KT5-2

KT8

KT10-2

CS8

CSL1



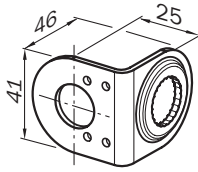


## BEF-KHS-H01

Universal bar clamp system

Plate H for universal bar clamp

Dimensional drawing



Technical data

<b>Material</b>	
Plate	Steel, galvanised
Clamp	Zinc, die-cast
<b>Delivery</b>	
incl. universal bar clamp and mounting material	

Order information

<b>Type</b>	<b>Order no.</b>
BEF-KHS-H01	2022465

MH15

V18

W4-3

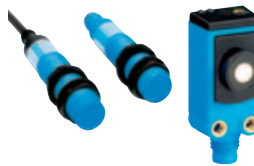
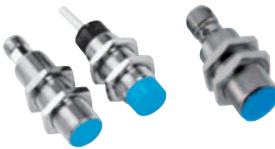
IM18

MM18

CM18

UC4

UM18



KT1M



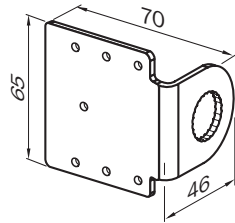
**BEF-KHS-J01**

**Plate J for universal bar clamp**

**Universal bar clamp system**

**Dimensional drawing**

**Technical data**



Material	
Plate	Steel, galvanised
Clamp	Zinc, die-cast
Delivery	
incl. universal bar clamp and mounting material	

**Order information**

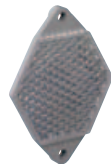
Type	Order no.
BEF-KHS-J01	2022719

PL20A

PL40A

PL50A

P250



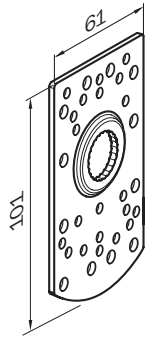
# Universal bar clamp systems

## BEF-KHS-K01

Universal bar clamp system

Plate K for universal bar clamp

Dimensional drawing



Technical data

Material	
Plate	Steel, galvanised
Clamp	Zinc, die-cast
Delivery	
incl. universal bar clamp and mounting material	

Order information

Type	Order no.
BEF-KHS-K01	2022718

W11-2	W12-3	W14-2	W18-3	W23-2	W24-2	W27-3	W30
W32	W34	W36	PL50A	PL80A	P250	UC12	LUT3
KT2	KT5-2	KT8	KT10-2	CS8	CSL1	DT2	DT10
DS30	DS40	DT60	DS60				

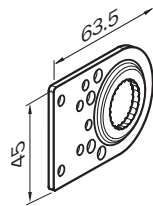
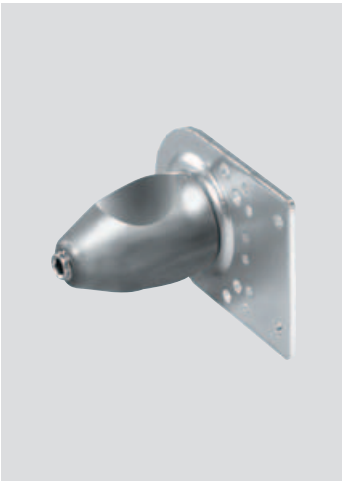
**BEF-KHS-L01**

**Plate L for universal bar clamp**

**Universal bar clamp system**

**Dimensional drawing**

**Technical data**



Material	
Plate	Steel, galvanised
Clamp	Zinc, die-cast
Delivery	
incl. universal bar clamp and mounting material	

**Order information**

Type	Order no.
BEF-KHS-L01	2023057

- W8
- W100
- W140-2
- W150
- W160
- W9-2
- W250
- P250



- LUT2

- KT3

- CSM1



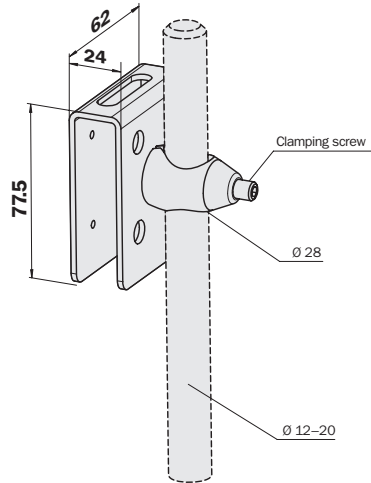
## BEF-SG-W12-3

Universal bar clamp system



### Protection hood for universal bar clamp

#### Dimensional drawing



#### Technical data

Material	
Protection hood	Steel, galvanised
Clamp	Zinc, die-cast
Delivery	
incl. universal bar clamp and mounting material	

#### Order information

Type	Order no.
BEF-SG-W12-3	2045175

W11-2

W12-3



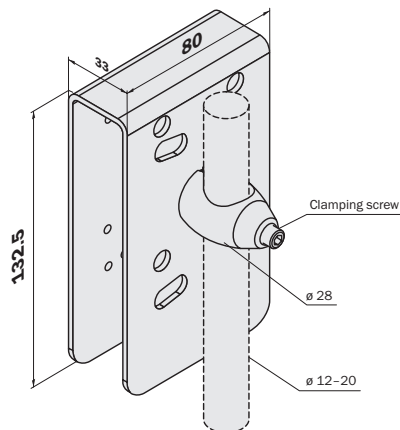
## BEF-SG-W27

Universal bar clamp system



### Protection hood for universal bar clamp

#### Dimensional drawing



#### Technical data

Material	
Protection hood	Steel, galvanised
Clamp	Zinc, die-cast
Delivery	
incl. universal bar clamp and mounting material	

#### Order information

Type	Order no.
BEF-SG-W27	2039601

W14-2

W18-3

W23-2

W27-3

DT10

DS30





**OBW-KHS-M01**

Universal bar clamp system

**Weather protection hood for universal bar clamp**

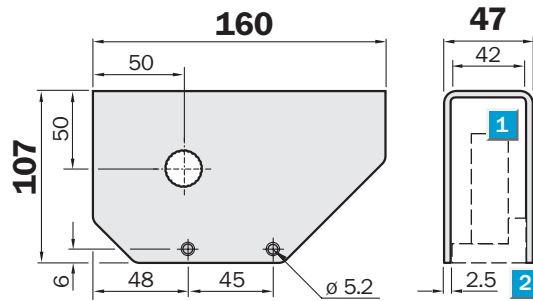
Dimensional drawing

Technical data

<b>Material</b>	Steel, galvanized
<b>Delivery</b>	incl. mounting material

Order information

<b>Type</b>	<b>Order no.</b>
OBW-KHS-M01	2023240



- 1** Sensor
- 2** Base holder with mounting material included with delivery

W23-2

W24-2

W27-3

W34

W260

DS30



**BEF-KHS-KH1**

Universal bar clamp system

**Universal bar clamp**

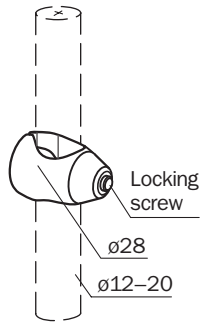
Dimensional drawing

Technical data

<b>Material</b>	Zinc, die-cast
-----------------	----------------

Order information

<b>Type</b>	<b>Order no.</b>
BEF-KHS-KH1	2022726



## BEF-MS12G-x

Universal bar clamp system

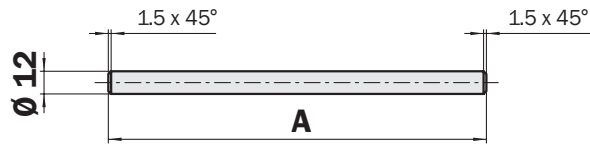
Mounting rod straight

Dimensional drawing

Technical data

Material

Steel, galvanised



Order information

Type	Order no.	Size A
BEF-MS12G-A	4056054	200 mm
BEF-MS12G-B	4056055	300 mm

## BEF-MS12L-x

Universal bar clamp system

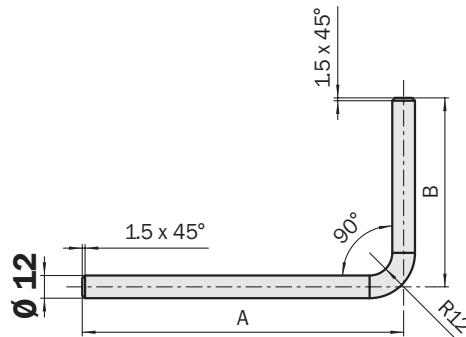
Mounting rod L-shaped

Dimensional drawing

Technical data

Material

Steel, galvanised



Order information

Type	Order no.	Size A	Size B
BEF-MS12L-A	4056052	150 mm	150 mm
BEF-MS12L-B	4056053	250 mm	250 mm

**BEF-MS12Z-x**

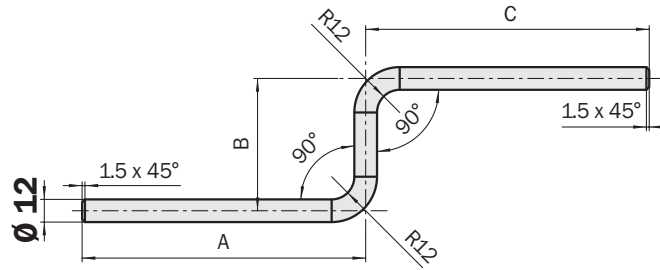
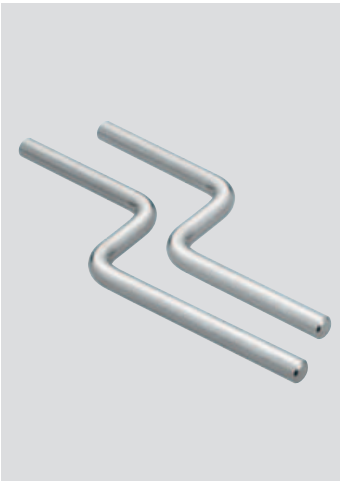
**Mounting rod Z-shaped**

**Universal bar clamp system**

**Dimensional drawing**

**Technical data**

<b>Material</b>	Steel, galvanised
-----------------	-------------------



**Order information**

Type	Order no.	Size A	Size B	Size C
BEF-MS12Z-A	4056056	150 mm	70 mm	150 mm
BEF-MS12Z-B	4056057	150 mm	70 mm	250 mm

**BEF-RMC-D12**

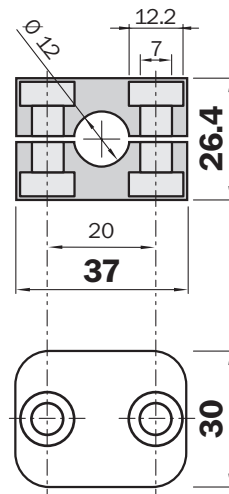
**Rod mounting clamp**

**Universal bar clamp system**

**Dimensional drawing**

**Technical data**

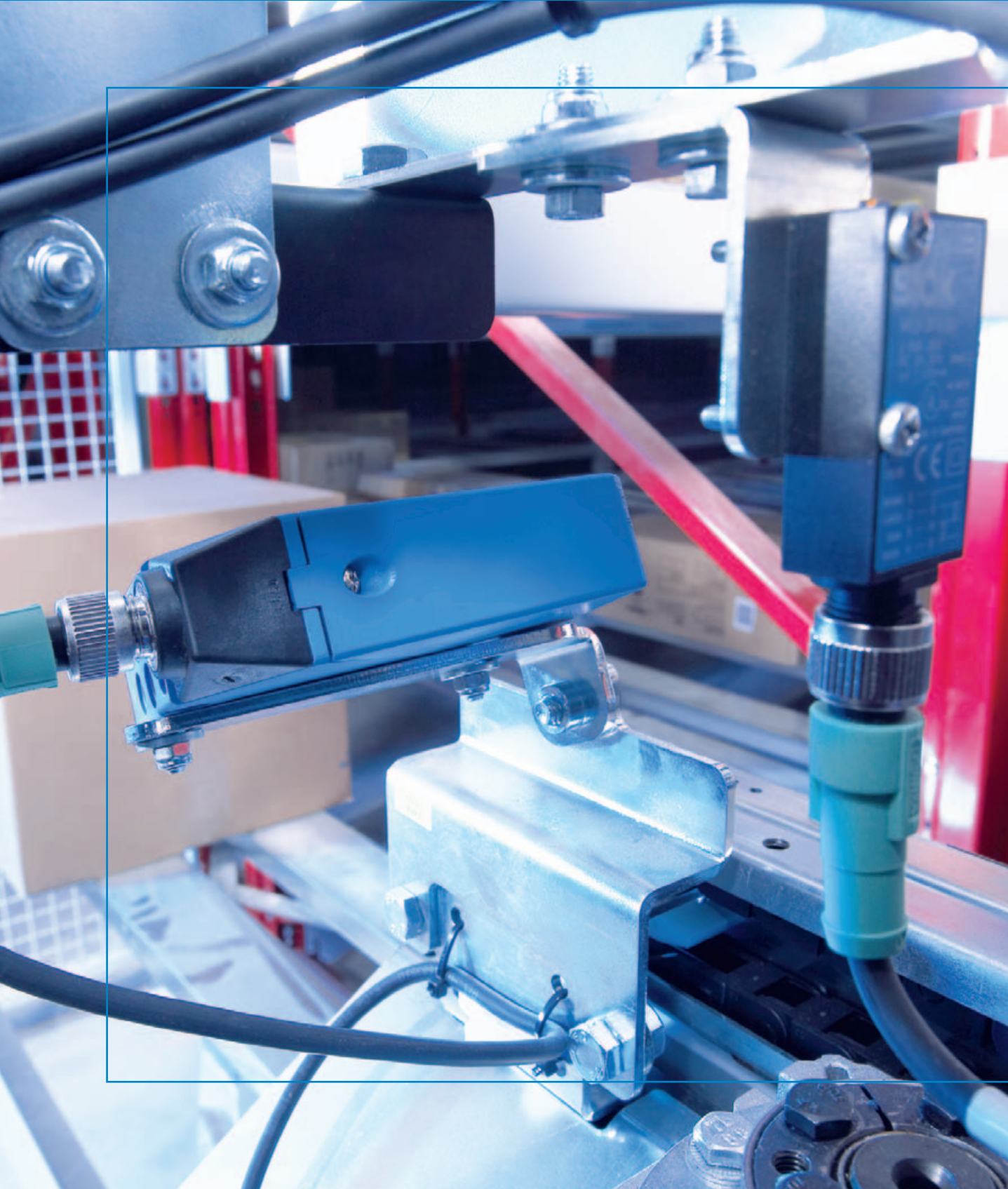
<b>Material</b>	Aluminium
<b>Delivery</b>	2 x screws M6x30, 2 x spring washers



**Order information**

Type	Order no.
BEF-RMC-D12	5321878

# Mounting brackets – the versatile alternative





**SICK mounting brackets offer reliable quality and intelligent details – for every SICK sensor. Easy mounting and high functionality ensure short downtimes for machine changeovers and fast commissioning of industrial installations.**

**For cuboid sensors**

**from page 24**

**For round sensors**

**from page 41**

**For distance sensors  
and light grids**

**from page 45**

# MOUNTING BRACKETS →



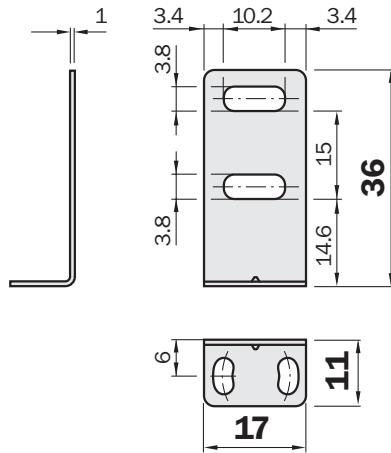
## BEF-W2S-A

Mounting bracket



Mounting bracket for floor mounting

Dimensional drawing



Technical data

Material Steel, galvanised

Order information

Type Order no.

BEF-W2S-A 4034748

W2S



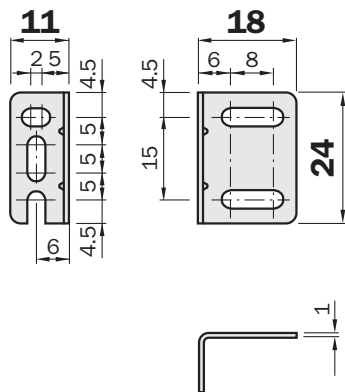
## BEF-W2S-B

Mounting bracket



Mounting bracket for wall mounting

Dimensional drawing



Technical data

Material Steel, galvanised

Order information

Type Order no.

BEF-W2S-B 4034749

W2S



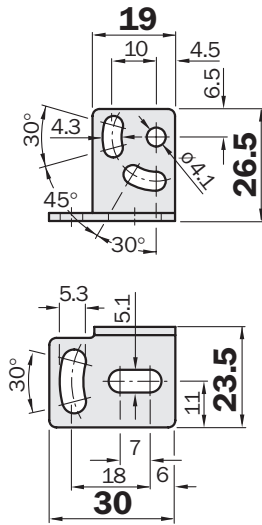
**BEF-WK-W4**

**Mounting bracket**

**Mounting bracket**

**Dimensional drawing**

**Technical data**



<b>Material</b>	Stainless steel (1.43101)
<b>Delivery</b>	incl. mounting material

**Order information**

<b>Type</b>	<b>Order no.</b>
BEF-WK-W4	2022026

W4-3

UC4



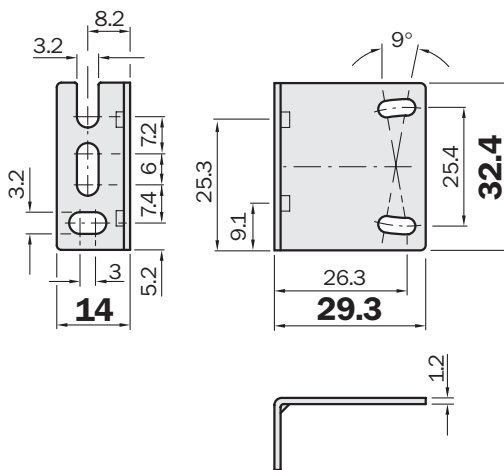
**BEF-W100-A**

**Mounting bracket for wall mounting**

**Mounting bracket**

**Dimensional drawing**

**Technical data**



<b>Material</b>	Steel, galvanised
<b>Delivery</b>	incl. mounting material

**Order information**

<b>Type</b>	<b>Order no.</b>
BEF-W100-A	5311520

W8

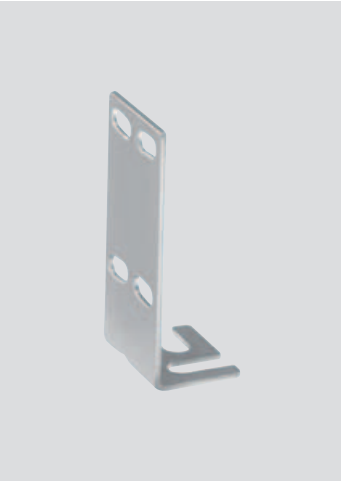
W100



# Mounting brackets

## BEF-W100-B

Mounting bracket



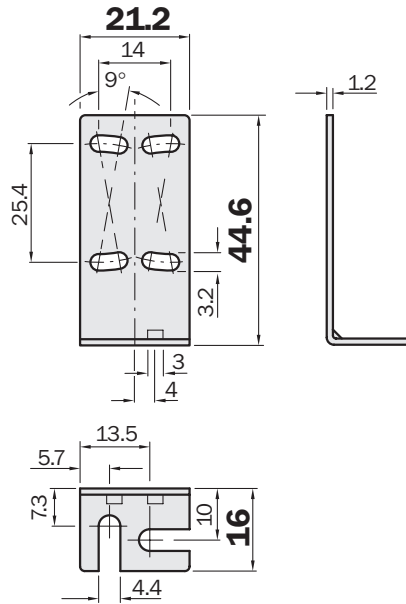
W8

W100



Mounting bracket for floor mounting

Dimensional drawing



Technical data

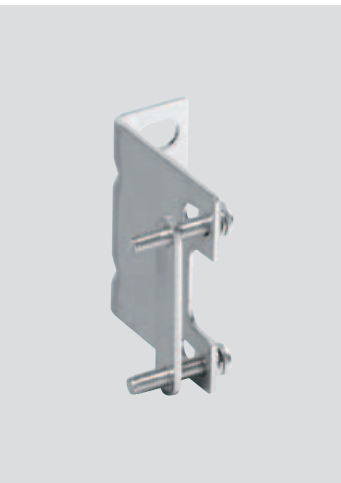
Material	Steel, galvanised
Delivery	incl. mounting material

Order information

Type	Order no.
BEF-W100-B	5311521

## BEF-W140A

Mounting bracket

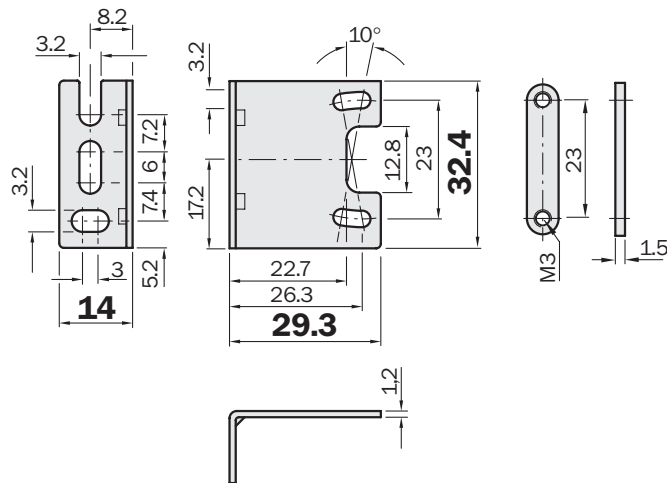


W140-2



Mounting bracket for wall mounting

Dimensional drawing



Technical data

Material	Steel, galvanised
Delivery	incl. mounting material

Order information

Type	Order no.
BEF-W140A	5308098

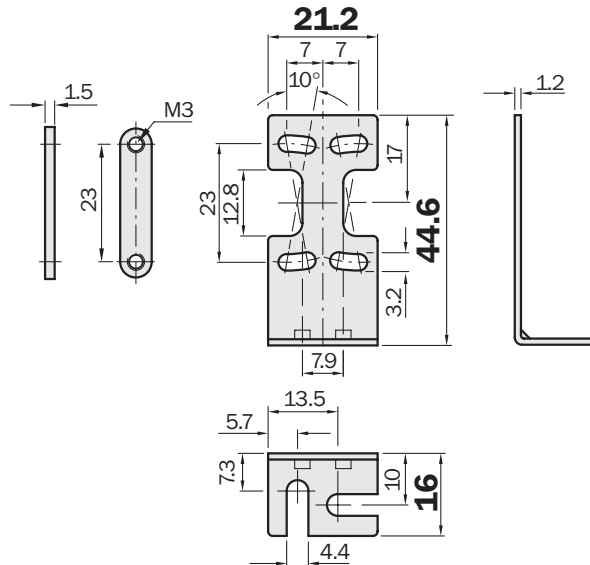
**BEF-W140B**

**Mounting bracket for floor mounting**

**Mounting bracket**

**Dimensional drawing**

**Technical data**



<b>Material</b>	Steel, galvanised
<b>Delivery</b>	incl. mounting material

**Order information**

<b>Type</b>	<b>Order no.</b>
BEF-W140B	5308519

W140-2



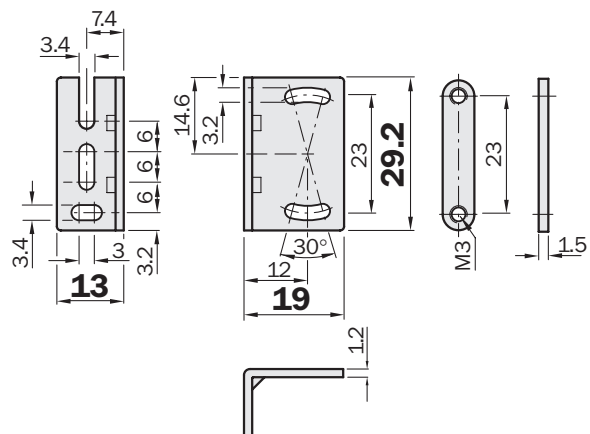
**BEF-W150-A**

**Mounting bracket for wall mounting**

**Mounting bracket**

**Dimensional drawing**

**Technical data**



<b>Material</b>	Steel, galvanised
<b>Delivery</b>	incl. mounting material

**Order information**

<b>Type</b>	<b>Order no.</b>
BEF-W150-A	5306217

W150



## BEF-W150-B

Mounting bracket

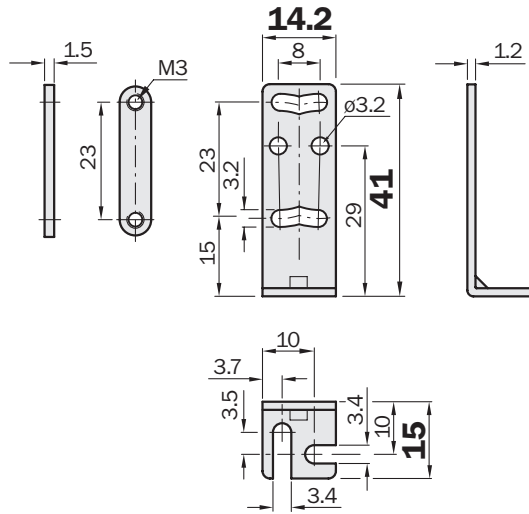


W150



Mounting bracket for floor mounting

Dimensional drawing



Technical data

<b>Material</b>	Steel, galvanised
<b>Delivery</b>	incl. mounting material

Order information

<b>Type</b>	<b>Order no.</b>
BEF-W150-B	5306279

## BEF-W160

Mounting bracket

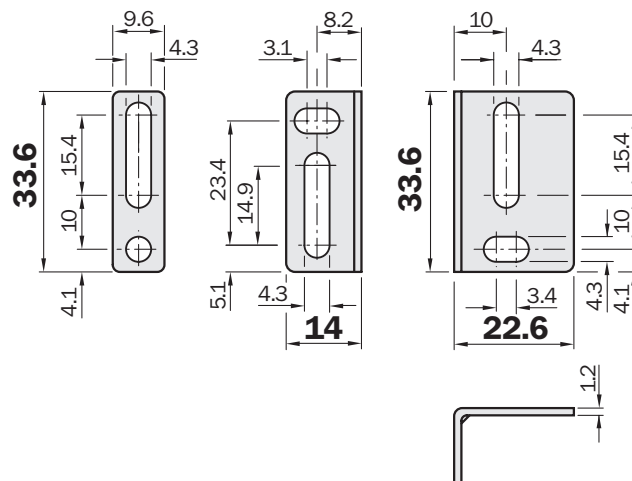


W160



Mounting bracket for wall mounting

Dimensional drawing



Technical data

<b>Material</b>	Steel, galvanised
<b>Delivery</b>	incl. mounting material

Order information

<b>Type</b>	<b>Order no.</b>
BEF-W160	5305197



**BEF-W170**

Mounting bracket

Mounting bracket

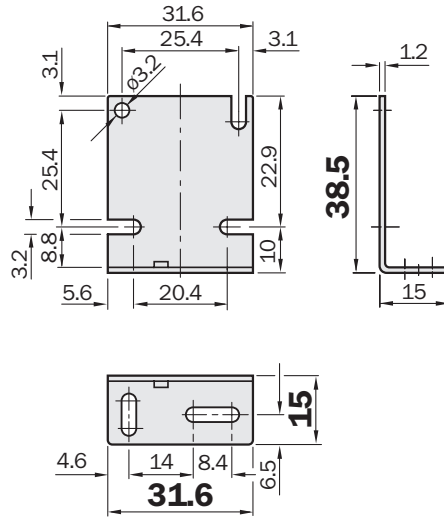
Dimensional drawing

Technical data

<b>Material</b>	Steel, galvanised
<b>Delivery</b>	incl. mounting material

Order information

<b>Type</b>	<b>Order no.</b>
BEF-W170	5305686



W170



**BEF-W190**

Mounting bracket

Mounting bracket

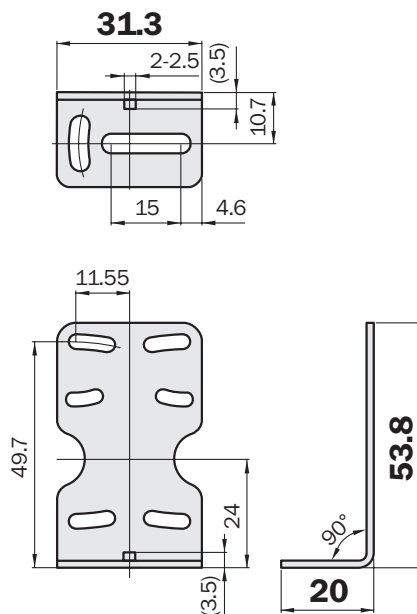
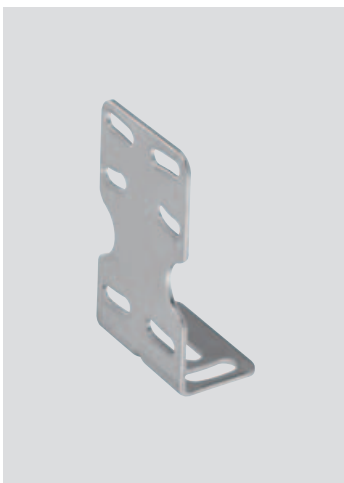
Dimensional drawing

Technical data

<b>Material</b>	Steel, galvanised
<b>Delivery</b>	incl. mounting material

Order information

<b>Type</b>	<b>Order no.</b>
BEF-W190	5311362



W190



## BEF-WN-W9-2

Mounting bracket

Mounting bracket for wall mounting

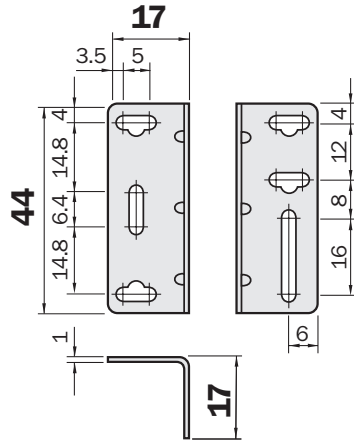
Dimensional drawing

Technical data

<b>Material</b>	Steel, galvanised
<b>Delivery</b>	incl. mounting material

Order information

<b>Type</b>	<b>Order no.</b>
BEF-WN-W9-2	2022855



W9-2    LUT2    KT3    CSM1



## BEF-WK-W12

Mounting bracket

Mounting bracket, small

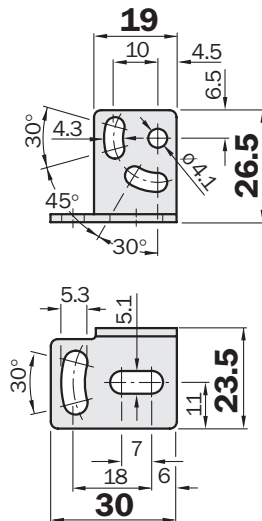
Dimensional drawing

Technical data

<b>Material</b>	Stainless steel (1.4301)
<b>Delivery</b>	incl. mounting material

Order information

<b>Type</b>	<b>Order no.</b>
BEF-WK-W12	2012938



W11-2    W12-3    UC12    KT2    DT2



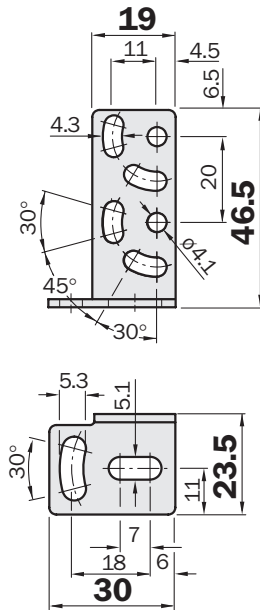
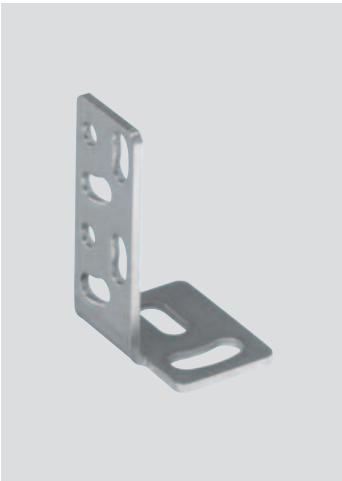
**BEF-WG-W12**

**Mounting bracket, large**

**Mounting bracket**

**Dimensional drawing**

**Technical data**



<b>Material</b>	Stainless steel (1.4301)
<b>Delivery</b>	incl. mounting material

<b>Order information</b>	
<b>Type</b>	<b>Order no.</b>
BEF-WG-W12	2013942

W11-2

W12-3

UC12

KT2

DT2



**BEF-WN-W14**

Mounting bracket

Mounting bracket

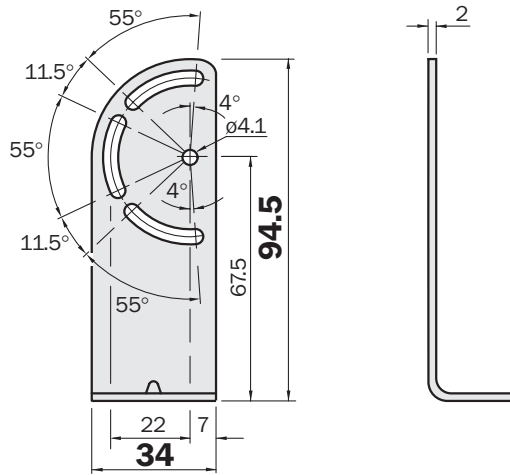
Dimensional drawing

Technical data

<b>Material</b>	Steel, galvanised
<b>Delivery</b>	incl. mounting material

Order information

<b>Type</b>	<b>Order no.</b>
BEF-WN-W14	2019084



W14-2

W18-3

DT10



**BEF-WN-W18**

**Mounting bracket with articulated arm**

**Mounting bracket**

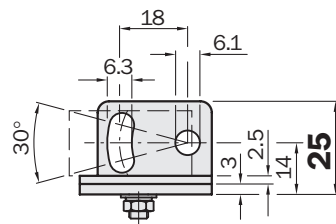
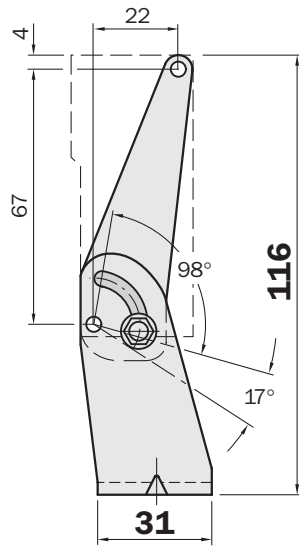
**Dimensional drawing**

**Technical data**

<b>Material</b>	Steel, galvanised
<b>Delivery</b>	incl. mounting material

**Order information**

<b>Type</b>	<b>Order no.</b>
BEF-WN-W18	2009317



W14-2

W18-3

DT10





**BEF-WN-W23**

**Mounting bracket**

**Mounting bracket**

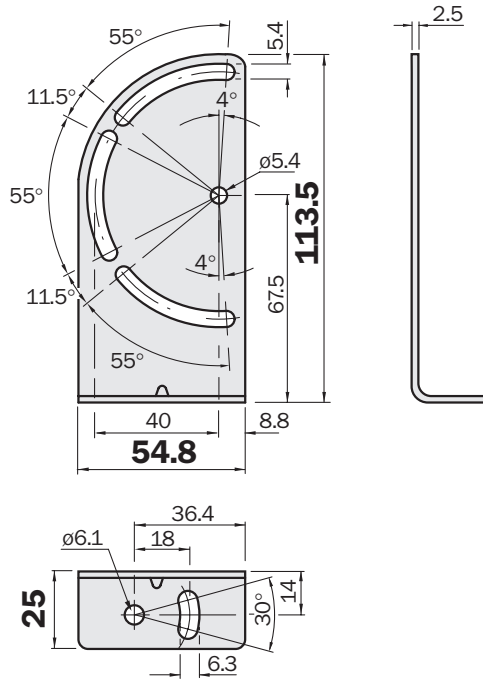
**Dimensional drawing**

**Technical data**

<b>Material</b>	Steel, galvanised
<b>Delivery</b>	incl. mounting material

**Order information**

<b>Type</b>	<b>Order no.</b>
BEF-WN-W23	2019085



W23-2

W27-3

DS30



**BEF-WK-W24**

Mounting bracket

Mounting bracket

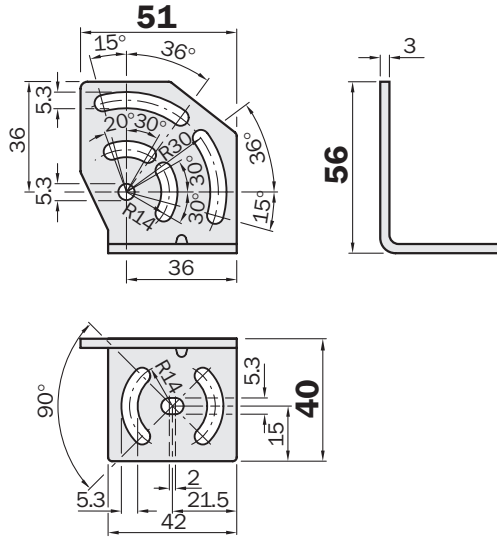
Dimensional drawing

Technical data

<b>Material</b>	Stainless steel (1.4301)
-----------------	-----------------------------

Order information

<b>Type</b>	<b>Order no.</b>
BEF-WK-W24	4027532



W24-2

W34



**BEF-WN-W24**

Mounting bracket

Mounting bracket

Dimensional drawing

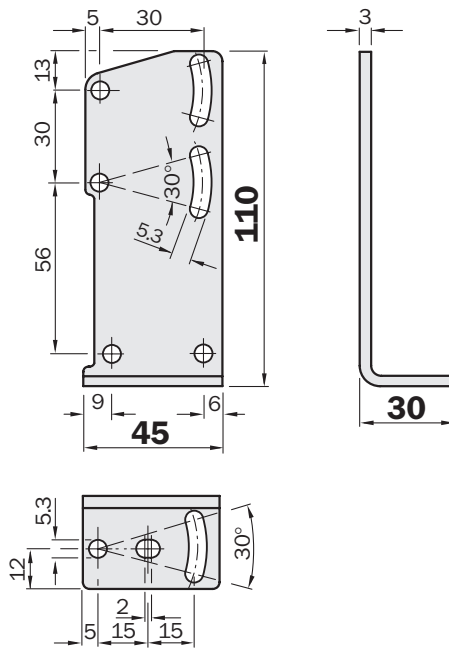
Technical data

<b>Material</b>	Stainless steel (1.4301)
-----------------	-----------------------------

<b>Delivery</b>	incl. mounting material
-----------------	-------------------------

Order information

<b>Type</b>	<b>Order no.</b>
BEF-WN-W24	2015248



W24-2

W34



## BEF-W250

Mounting bracket

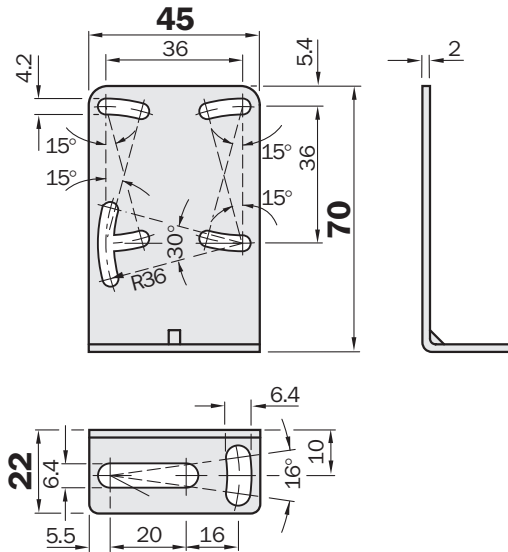


W250



Mounting bracket

Dimensional drawing



Technical data

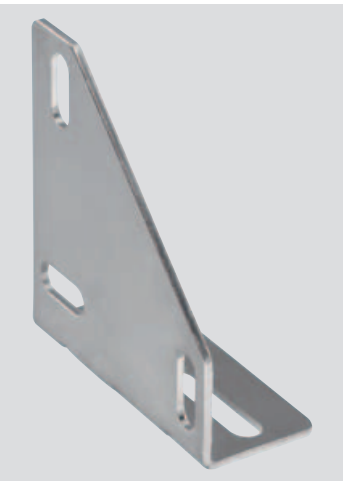
Material	Steel, galvanised
Delivery	incl. mounting material

Order information

Type	Order no.
BEF-W250	5305850

## BEF-W260

Mounting bracket

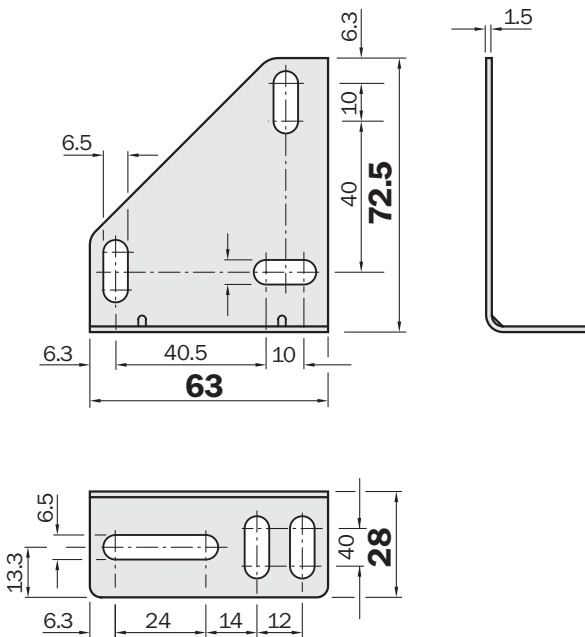


W260



Mounting bracket

Dimensional drawing



Technical data

Material	Steel, galvanised
----------	-------------------

Order information

Type	Order no.
BEF-W260	5304819

**BEF-W280**

**Mounting bracket**

**Mounting bracket**

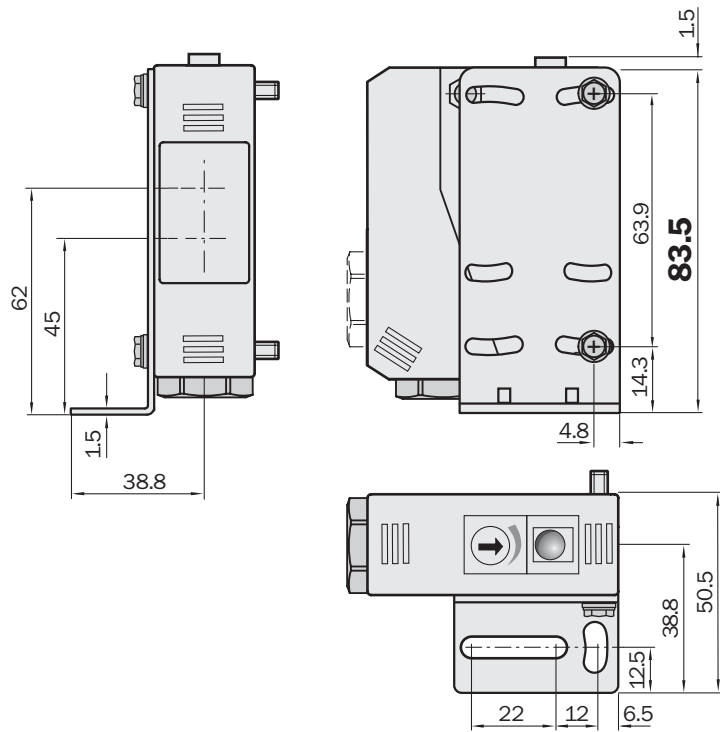
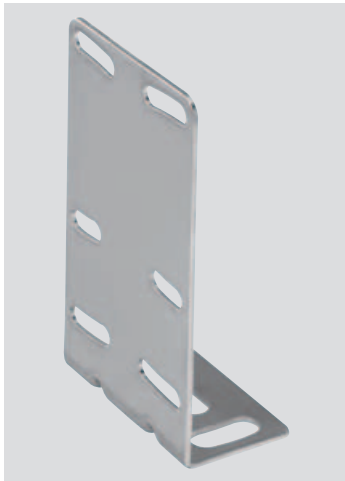
**Dimensional drawing**

**Technical data**

<b>Material</b>	Stainless steel (1.4301)
<b>Delivery</b>	incl. mounting material

**Order information**

<b>Type</b>	<b>Order no.</b>
BEF-W280	5313885



W280



**BEF-WN-W27**

Mounting bracket

Mounting bracket with articulated arm

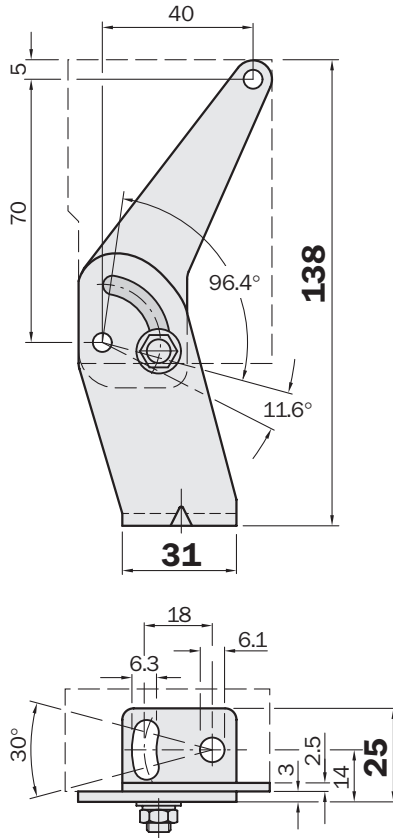
Dimensional drawing

Technical data

<b>Material</b>	Steel, galvanised
<b>Delivery</b>	incl. mounting material

Order information

<b>Type</b>	<b>Order no.</b>
BEF-WN-W27	2009122



W23-2

W27-3

DS30



**BEF-WN-W32**

**Mounting bracket**

**Mounting bracket**

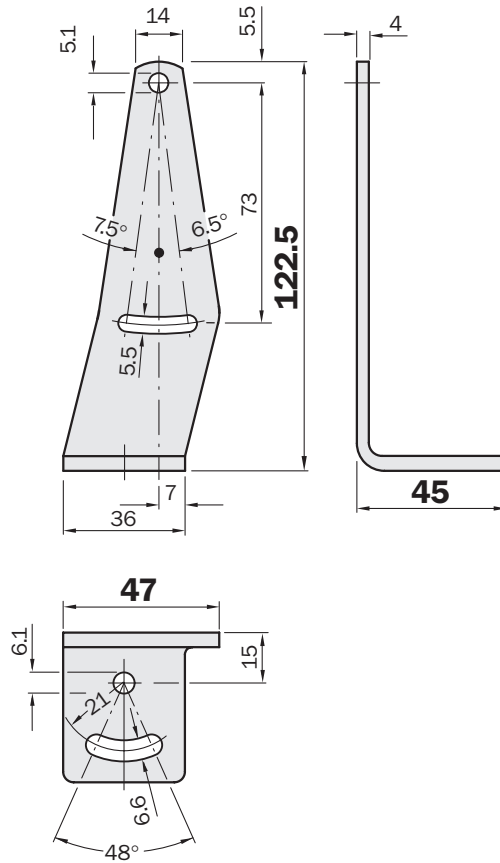
**Dimensional drawing**

**Technical data**

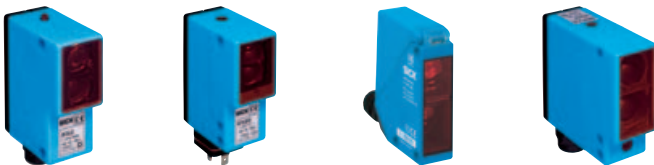
<b>Material</b>	Steel, galvanised
<b>Delivery</b>	incl. mounting material

**Order information**

<b>Type</b>	<b>Order no.</b>
BEF-WN-W32	2005806

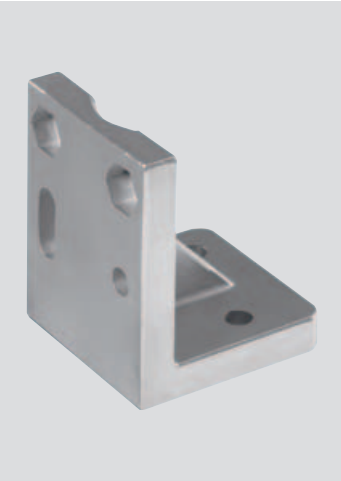


W30      W32      W34      W36



## BEF-WN-W45

Mounting bracket

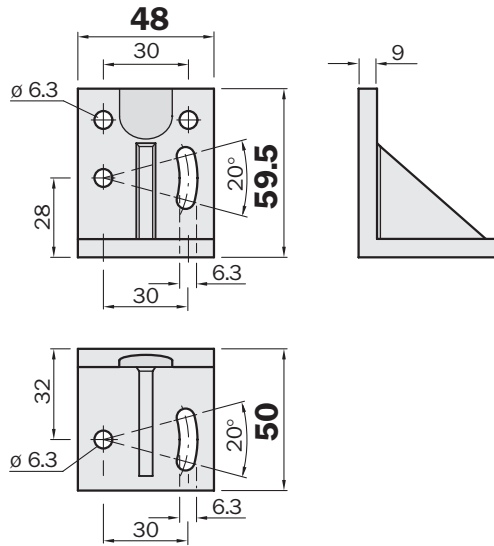


W45



Mounting bracket

Dimensional drawing



Technical data

Material	Steel, galvanised
Delivery	incl. mounting material

Order information

Type	Order no.
BEF-WN-W45	2011480

## BEF-WLL170

Mounting bracket



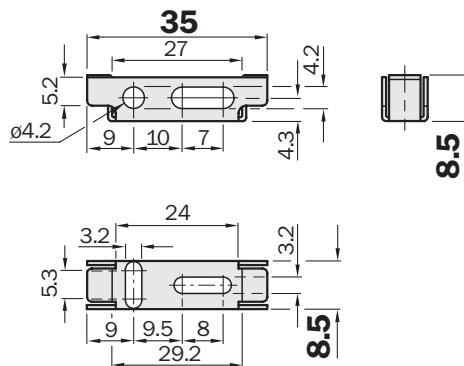
WLL170-2

WLL190-2



Mounting bracket

Dimensional drawing



Technical data

Material	Steel, galvanised
----------	-------------------

Order information

Type	Order no.
BEF-WLL170	5306574



**BEF-WN-M12**

Mounting bracket

Mounting bracket

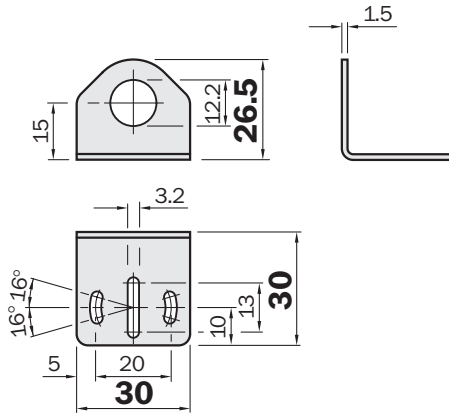
Dimensional drawing

Technical data

Material Steel, galvanised

Order information

Type	Order no.
BEF-WN-M12	5308447



V12

IM12

MM12



**BEF-WG-M12**

Mounting bracket

Mounting plate

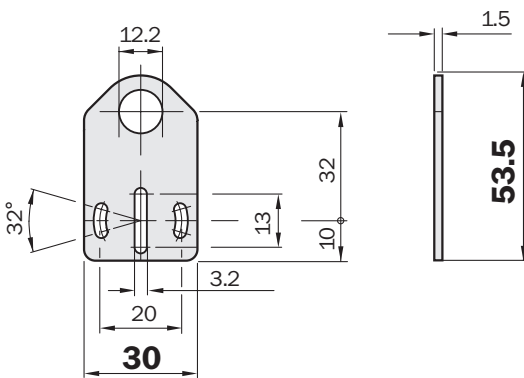
Dimensional drawing

Technical data

Material Steel, galvanised

Order information

Type	Order no.
BEF-WG-M12	5321869



V12

IM12

MM12



## BEF-WN-M12N

Mounting bracket

Mounting bracket

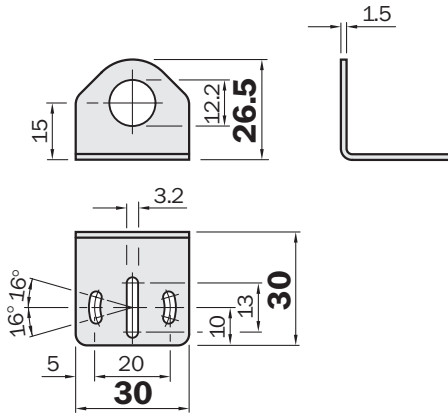
Dimensional drawing

Technical data

<b>Material</b>	Stainless steel (1.4404)
-----------------	-----------------------------

Order information

<b>Type</b>	<b>Order no.</b>
BEF-WN-M12N	5320949



V12

IM12

MM12



## BEF-WG-M12N

Mounting bracket

Mounting plate

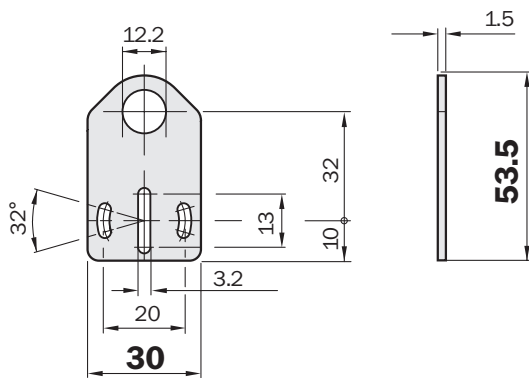
Dimensional drawing

Technical data

<b>Material</b>	Stainless steel (1.4404)
-----------------	-----------------------------

Order information

<b>Type</b>	<b>Order no.</b>
BEF-WG-M12N	5320950



V12

IM12

MM12



**BEF-WN-M18**

**Mounting bracket**

**Mounting bracket**

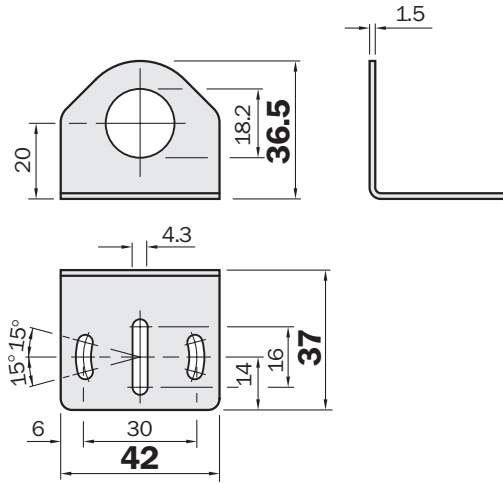
**Dimensional drawing**

**Technical data**

**Material** Steel, galvanised

**Order information**

<b>Type</b>	<b>Order no.</b>
BEF-WN-M18	5308446



MH15

V18

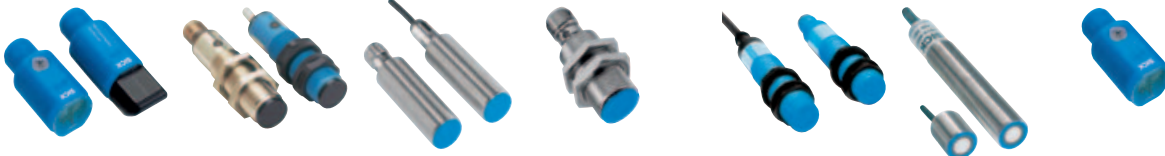
IM18

MM18

CM18

UM18

KT1M



**BEF-WG-M18**

**Mounting plate**

**Mounting**

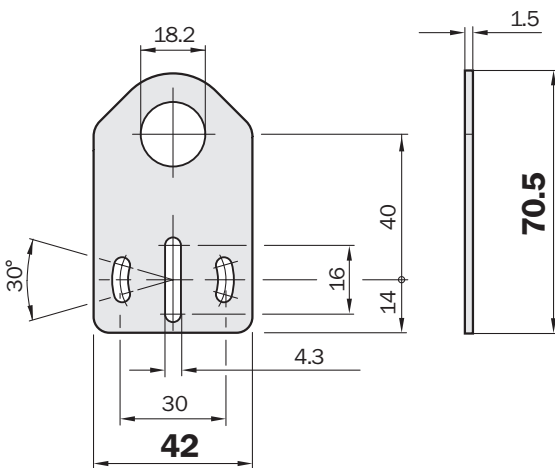
**Dimensional drawing**

**Technical data**

**Material** Steel, galvanised

**Order information**

<b>Typ</b>	<b>Order no.</b>
BEF-WG-M18	5321870



MH15

V18

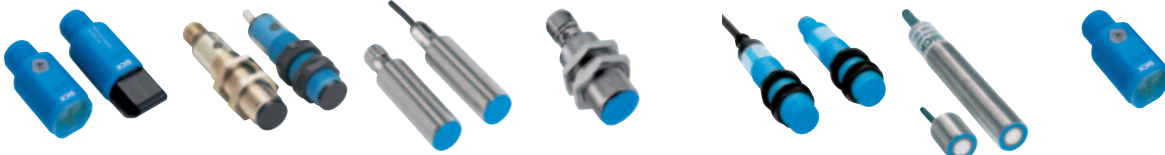
IM18

MM18

CM18

UM18

KT1M



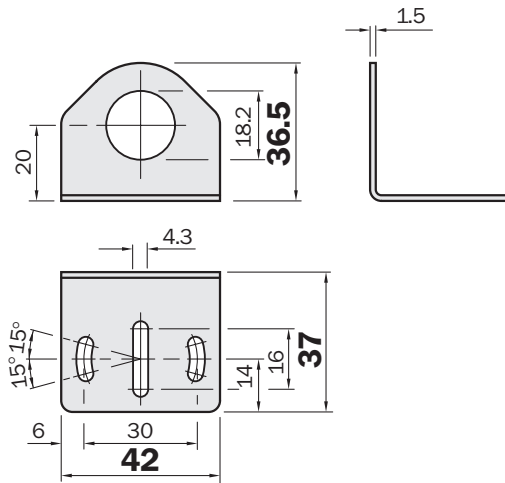
## BEF-WN-M18N

Mounting bracket



Mounting bracket

Dimensional drawing



Technical data

<b>Material</b>	Stainless steel (1.4404)
-----------------	--------------------------

Order information

<b>Type</b>	<b>Order no.</b>
BEF-WN-M18N	5320947

MH15

V18

IM18

MM18

CM18

UM18

KT1M



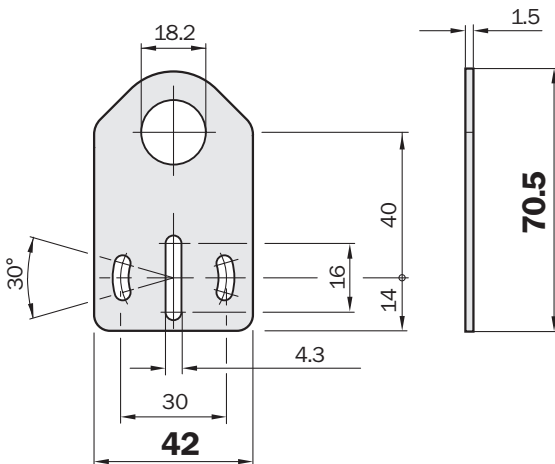
## BEF-WG-M18N

Mounting bracket



Mounting plate

Dimensional drawing



Technical data

<b>Material</b>	Stainless steel (1.4404)
-----------------	--------------------------

Order information

<b>Type</b>	<b>Order no.</b>
BEF-WG-M18N	5320948

MH15

V18

IM18

MM18

CM18

UM18

KT1M



**BEF-WN-M30**

Mounting bracket

Mounting bracket

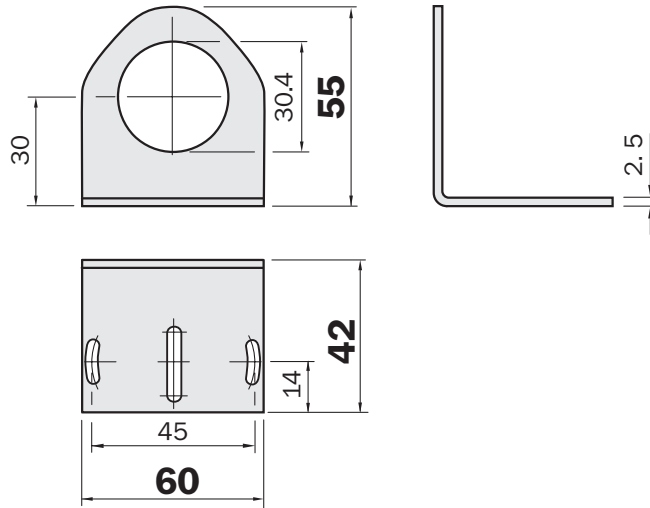
Dimensional drawing

Technical data

Material Steel, galvanised

Order information

Type	Order no.
BEF-WN-M30	5308445



IM30

CM30

UM30



**BEF-WN-WTR**

Mounting bracket

Mounting bracket

Dimensional drawing

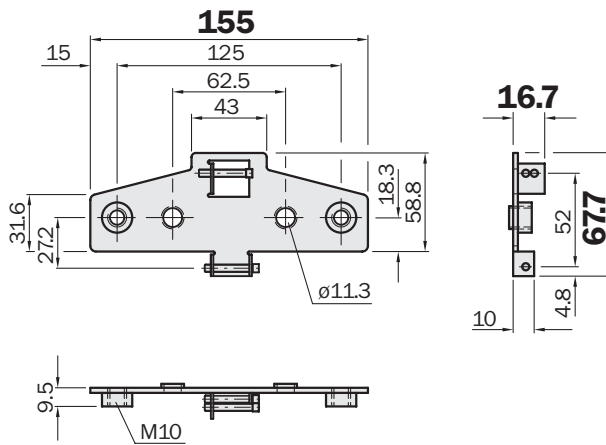
Technical data

Material Steel, galvanised

Delivery incl. mounting material

Order information

Type	Order no.
BEF-WN-WTR	2017417



WTR



**BEF-WN-DT20**

Mounting bracket

Mounting bracket

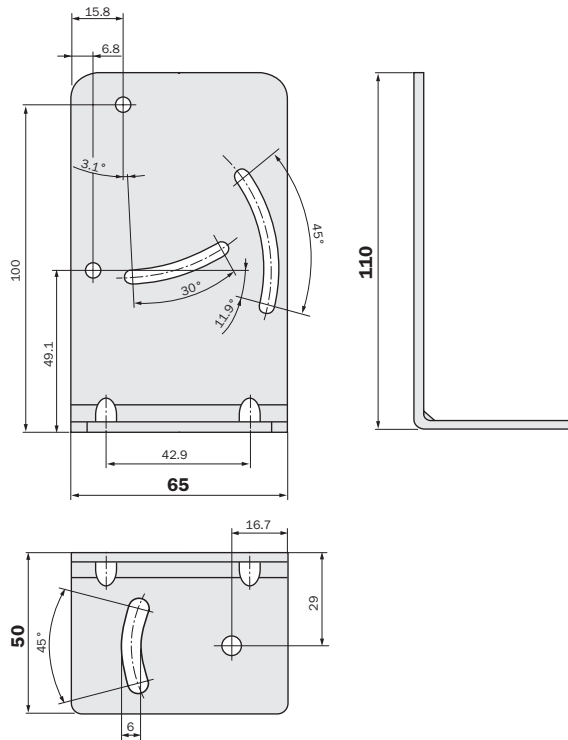
Dimensional drawing

Technical data

<b>Material</b>	Stainless steel (1.4301)
-----------------	-----------------------------

Order information

<b>Type</b>	<b>Order no.</b>
BEF-WN-DT20	4043524



DT20



**BEF-WN-DS60**

**Mounting bracket**

**Mounting bracket**

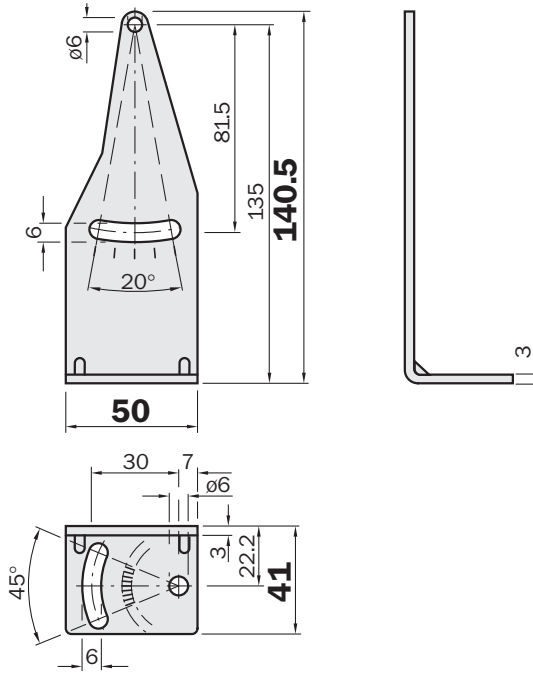
**Dimensional drawing**

**Technical data**

<b>Material</b>	Stainless steel (1.4301)
-----------------	-----------------------------

**Order information**

<b>Type</b>	<b>Order no.</b>
BEF-WN-DS60	4032937



DS40

DT60

DS60





## BEF-WN-WLG12

Mounting bracket

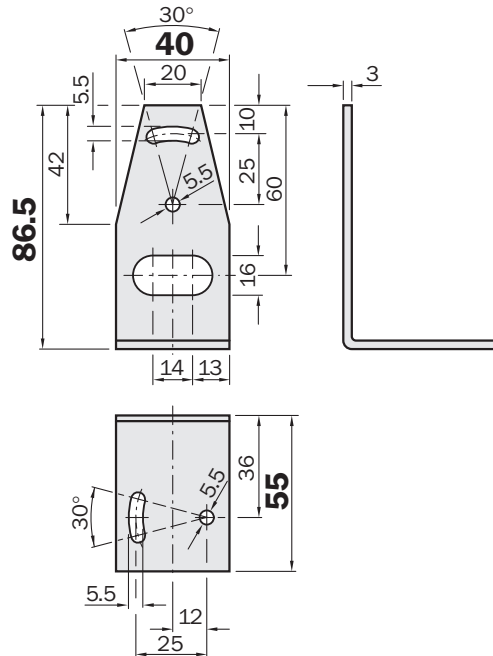


WLG12



Mounting bracket

Dimensional drawing



Technical data

<b>Material</b>	Stainless steel (1.4301)
<b>Delivery</b>	incl. mounting material

Order information

<b>Type</b>	<b>Order no.</b>
BEF-WN-WLG12	2017567

## Mounting kit 1

Mounting bracket



MLG

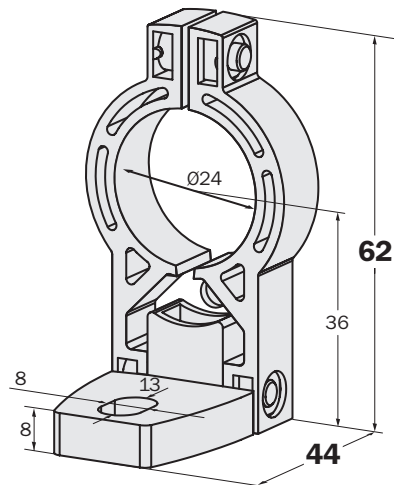
ELG

HLG



Rotary bracket

Dimensional drawing



Technical data

<b>Material</b>	Plastic (PA6)
<b>Delivery</b>	2 pairs incl. mounting material

Order information

<b>Type</b>	<b>Order no.</b>
Mounting kit 1	2019649

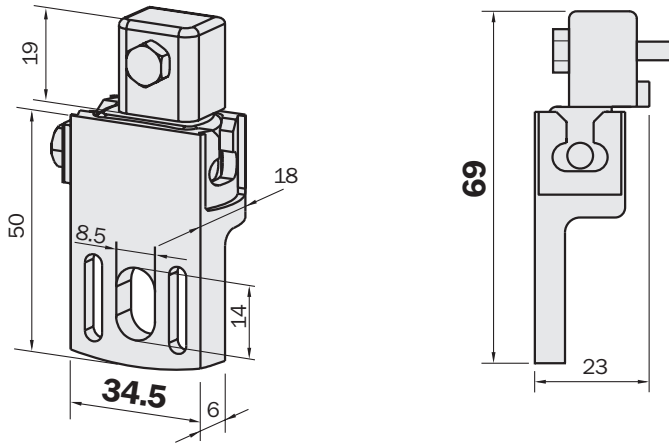
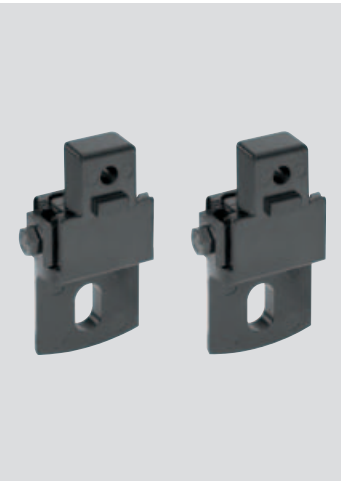
**BEF-NUT-MLG**

Side mounting with T-nuts

Mounting bracket

Dimensional drawing

Technical data



<b>Material</b>	Zinc, die-cast
<b>Delivery</b>	2 pairs incl. mounting material

Order information

<b>Type</b>	<b>Order no.</b>
BEF-NUT-MLG	2023696

MLG

ELG

HLG



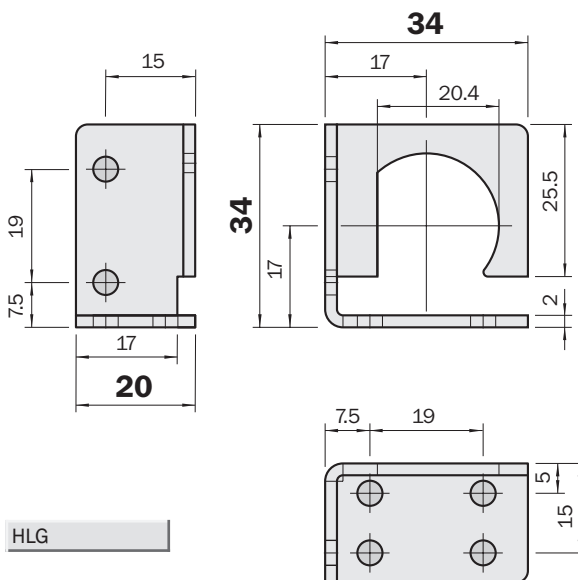
**BEF-WK-XLG**

Mounting bracket

Mounting bracket

Dimensional drawing

Technical data



<b>Material</b>	Steel, galvanised
<b>Delivery</b>	2 pairs

Order information

<b>Type</b>	<b>Order no.</b>
BEF-WK-XLG	2029100

MLG

ELG

HLG



Clamping and alignment brackets – cleverly mounted





**Accurate alignment, quick mounting:  
SICK clamping and alignment brackets offer you both, thanks to reliable, intelligent and co-ordinated solutions – from ball joints to spring plates, from dovetail guides to bar mounting clamps.**

**For cuboid sensors from page 52**

**For round sensors from page 55**

**For light grids and distance sensors from page 57**

# CLAMPING AND ALIGNMENT BRACKETS →

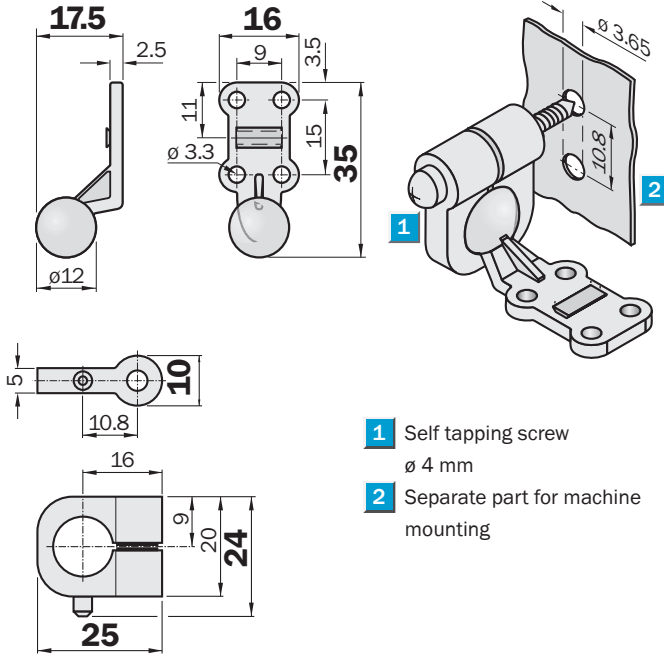
## BEF-GH-MINI01

### Clamping and alignment bracket



### Ball joint bracket

### Dimensional drawing



### Technical data

<b>Material</b>	Plastic (ABS)
<b>Delivery</b>	incl. mounting material

### Order information

<b>Type</b>	<b>Order no.</b>
BEF-GH-MINI01	2023160

W2S

W4-3

UC4



**BEF-KH-W12**

**Clamp for dovetail mounting**

**Clamping and alignment bracket**

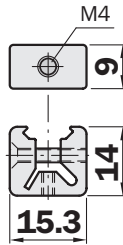
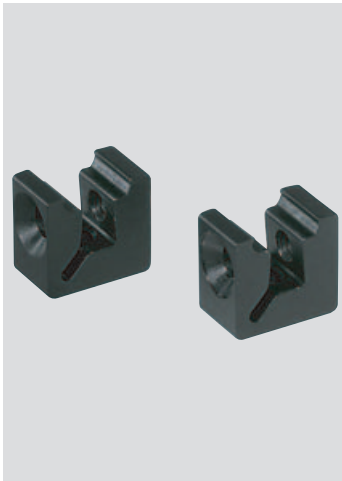
**Dimensional drawing**

**Technical data**

<b>Material</b>	Steel, galvanised
<b>Delivery</b>	incl. mounting material

**Order information**

<b>Type</b>	<b>Order no.</b>
BEF-KH-W12	2013285



W11-2

W12-3

UC12

KT2

DT2



**BEF-DKH-W12**

**Double clamp for dovetail mounting**

**Clamping and alignment bracket**

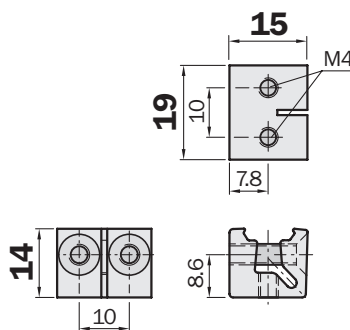
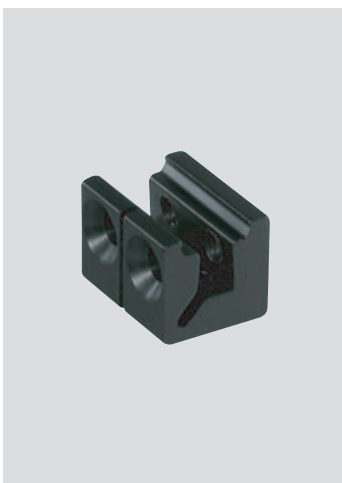
**Dimensional drawing**

**Technical data**

<b>Material</b>	Steel, galvanised
<b>Delivery</b>	incl. mounting material

**Order information**

<b>Type</b>	<b>Order no.</b>
BEF-DKH-W12	2013947



W11-2

W12-3

UC12

KT2

DT2





## BEF-EB01-W190

Endcap for block installation on DIN-RAIL

Clamping and alignment bracket

Dimensional drawing

Technical data

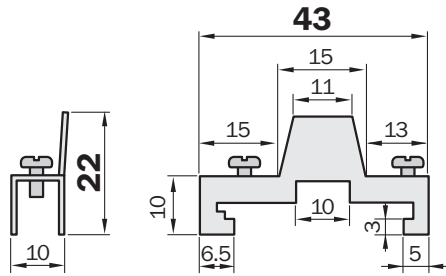
Material Steel, galvanised

Delivery 2 pieces

Order information

Type Order no.

BEF-EB01-W190 5313011



WLL170-2

WLL190-2

WI130L



## BEF-KK-W45

Ball joint bracket

Clamping and alignment bracket

Dimensional drawing

Technical data

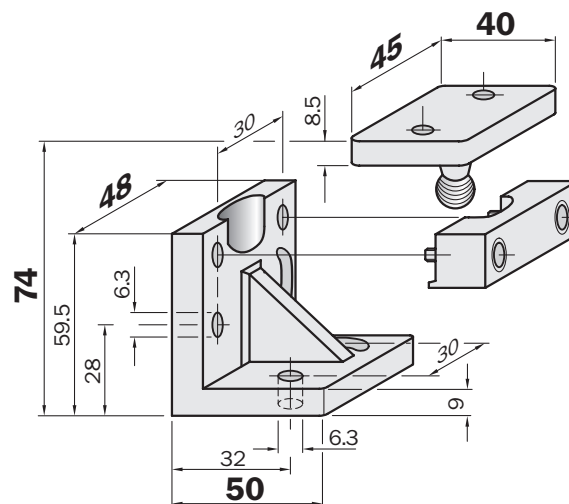
Material Steel, galvanised

Delivery incl. mounting material

Order information

Type Order no.

BEF-KK-W45 2011436



W45





**BEF-WN-MH15-1**

Clamping and alignment bracket

Mounting adapter

Dimensional drawing

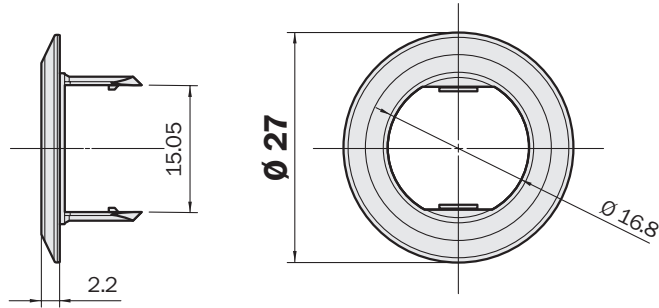
Technical data

Material Plastic (PA 12)

Order information

Type Order no.

BEF-WN-MH15-1 4039533



MH15

KT1M



**BEF-WN-MH15-2**

Clamping and alignment bracket

Mounting ring

Dimensional drawing

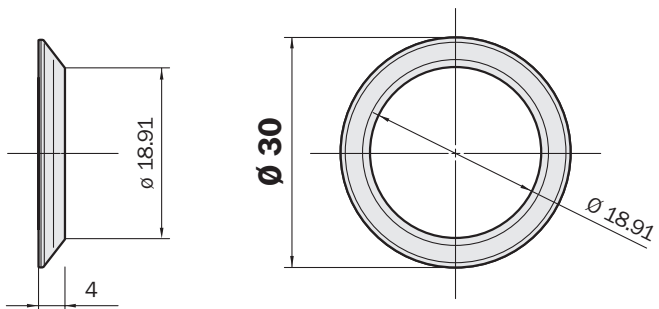
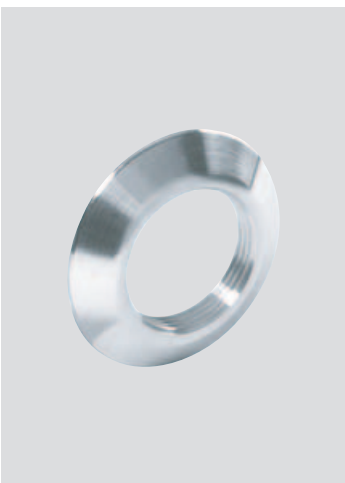
Technical data

Material Stainless steel (1.4404)

Order information

Type Order no.

BEF-WN-MH15-2 4053358



MH15

KT1M

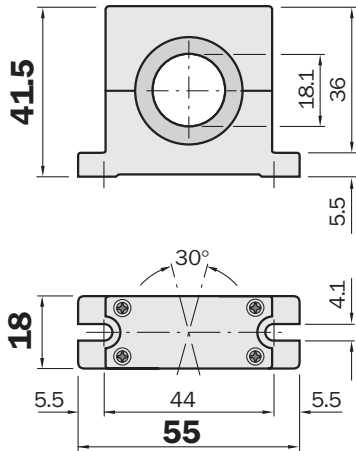


## BEF-WN-M18-ST02

Clamping and alignment bracket

Alignment bracket with ball joint

Dimensional drawing



Technical data

Material	Plastic (ABS)
Delivery	incl. mounting material

Order information

Type	Order no.
BEF-WN-M18-ST02	5312973



MH15

V18

IM18

MM18

CM18

UM18

KT1M

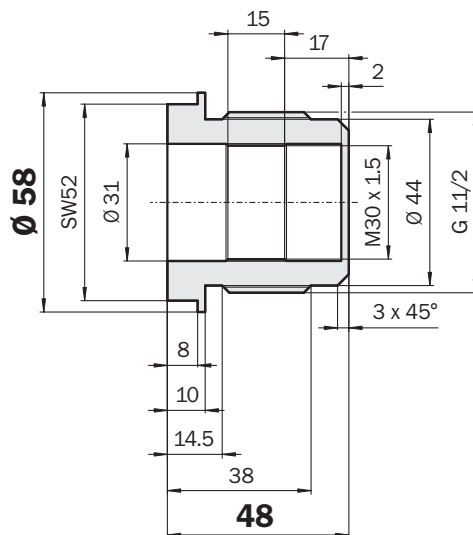


## BEF-EA-CM30

Clamping and alignment bracket

Mounting adapter for silo and tank applications

Dimensional drawing



Technical data

Material	Plastic (POM)
----------	---------------

Order information

Type	Order no.
BEF-EA-CM30	2043770



CM30



**BEF-RD30-PLG**

Clamping and alignment bracket

Bar mounting clamps

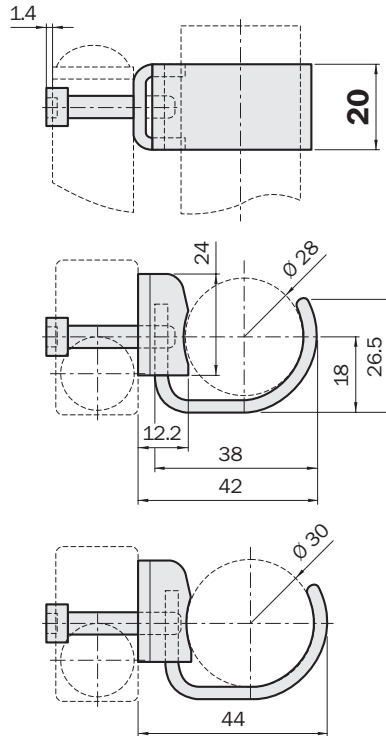
Dimensional drawing

Technical data

<b>Material</b>	Stainless steel (1.4301)
<b>Delivery</b>	2 pieces incl. mounting material

Order information

<b>Type</b>	<b>Order no.</b>
BEF-RD30-PLG	2040541



PLG



**BEF-NSIT-PLG**

Clamping and alignment bracket

T-slot nut with spring ball for ITEM profile rail

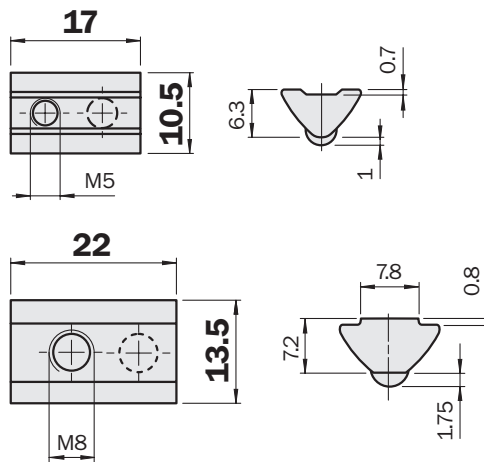
Dimensional drawing

Technical data

<b>Material</b>	Steel, galvanised
<b>Delivery</b>	Slot 6 and slot 8, 2 x each incl. mounting material

Order information

<b>Type</b>	<b>Order no.</b>
BEF-NSIT-PLG	2041045



PLG



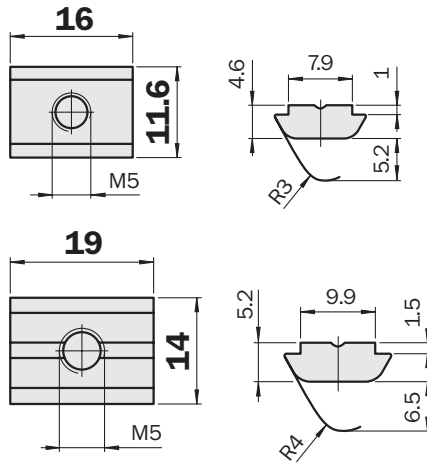
## BEF-NSBO-PLG

Clamping and alignment bracket



T-slot nut with spring leaf for Bosch profile rail

Dimensional drawing



Technical data

<b>Material</b>	Steel, galvanised
<b>Delivery</b>	Slot 8 and slot 10, 2 x each incl. mounting material

Order information

<b>Type</b>	<b>Order no.</b>
BEF-NSBO-PLG	2041049

PLG



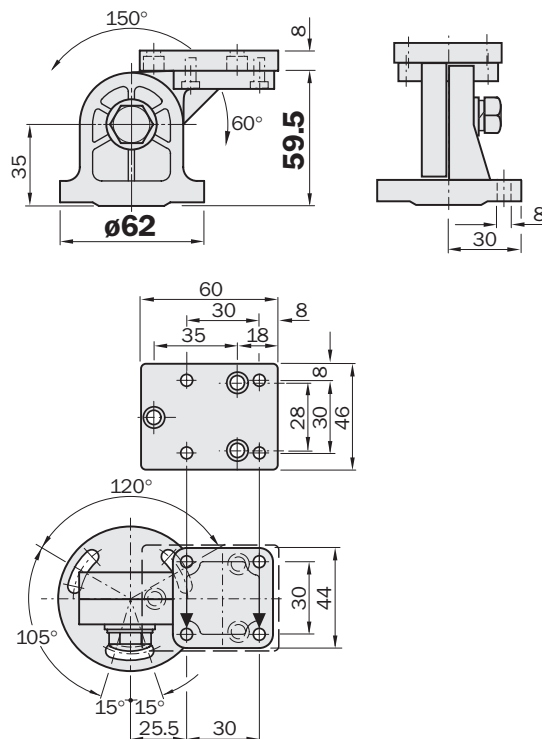
## BEF-GH-DME

Clamping and alignment bracket



Articulated mounting bracket

Dimensional drawing



Technical data

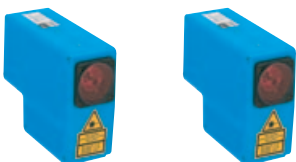
<b>Material</b>	Aluminium, anodised
<b>Delivery</b>	incl. mounting material

Order information

<b>Type</b>	<b>Order no.</b>
BEF-GH-DME	2015229

DME2000

DME3000



**BEF-DME/ISD**

Clamping and alignment bracket



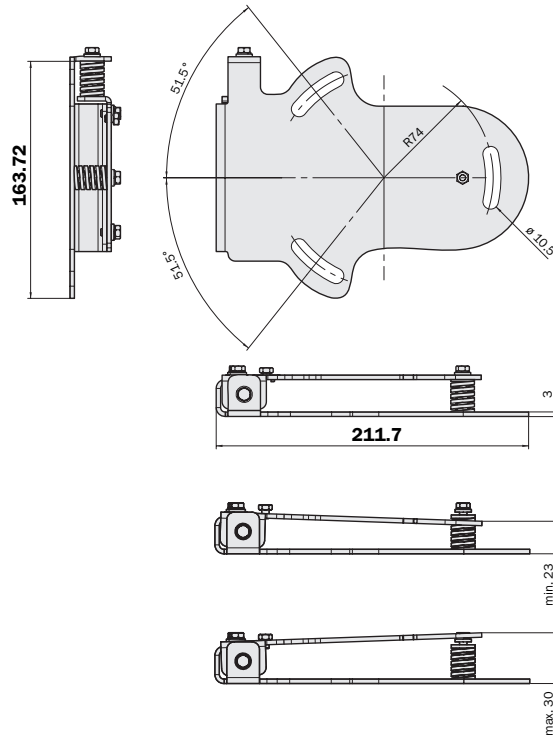
DME4000

ISD400



Alignment unit

Dimensional drawing



Technical data

<b>Material</b>	Aluminium, anodised
-----------------	------------------------

Order information

<b>Type</b>	<b>Order no.</b>
BEF-DME/ISD	2046052

**BEF-AH-DME**

Clamping and alignment bracket

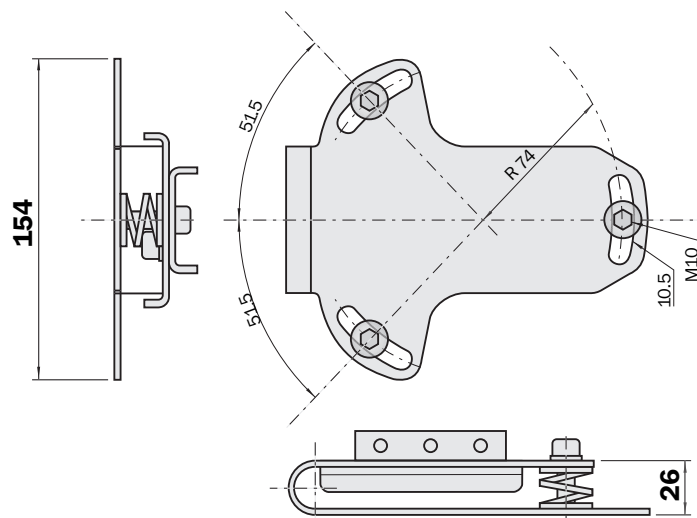


DME5000



Alignment unit

Dimensional drawing



Technical data

<b>Material</b>	Stainless steel (1.4541)
<b>Delivery</b>	incl. mounting material

Order information

<b>Type</b>	<b>Order no.</b>
BEF-AH-DME	2027721

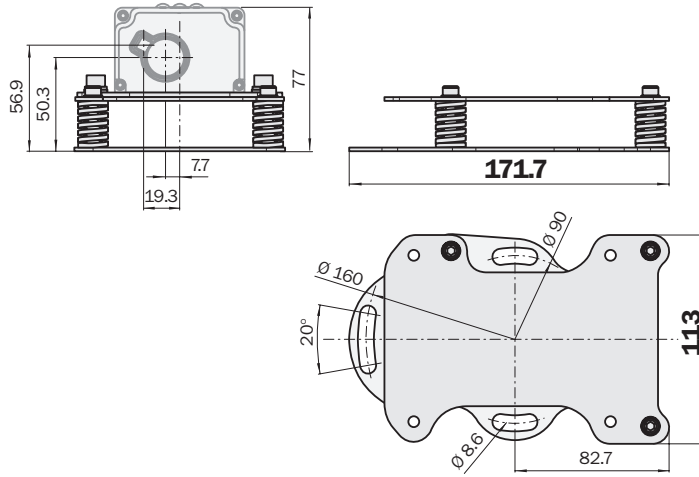
## BEF-DSDT

Clamping and alignment bracket



Alignment unit

Dimensional drawing



Technical data

<b>Material</b>	Stainless steel (1.4301)
<b>Delivery</b>	incl. mounting material

Order information

<b>Type</b>	<b>Order no.</b>
BEF-DSDT	2031377

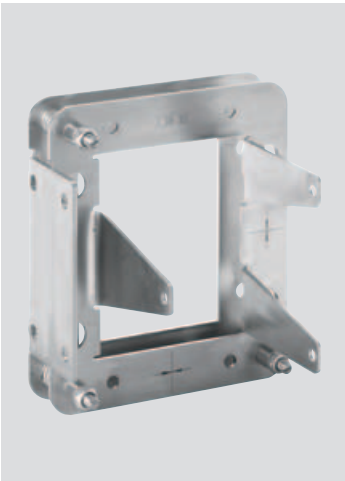
DT500

DS500



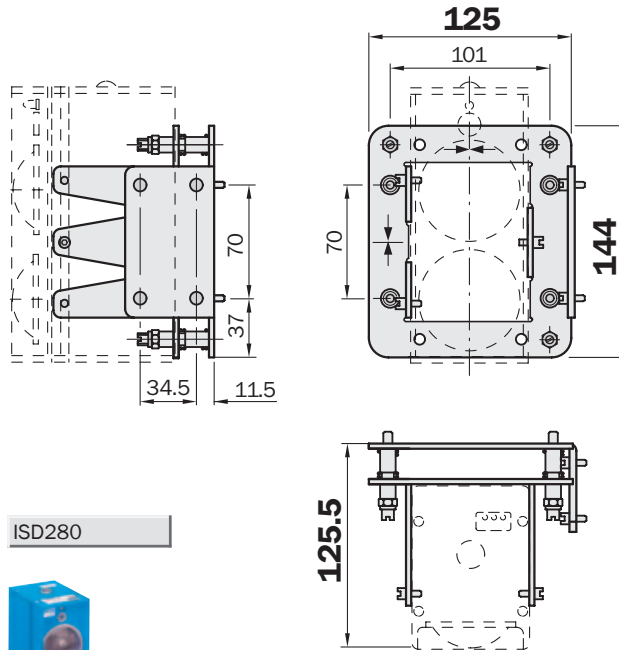
## BEF-KH-ISD

Clamping and alignment bracket



Alignment unit

Dimensional drawing



Technical data

<b>Material</b>	Stainless steel
<b>Delivery</b>	incl. mounting material

Order information

<b>Type</b>	<b>Order no.</b>
BEF-KH-ISD	5306369

ISD230

ISD260

ISD280



**BEF-GH-DMT**

Clamping and alignment bracket



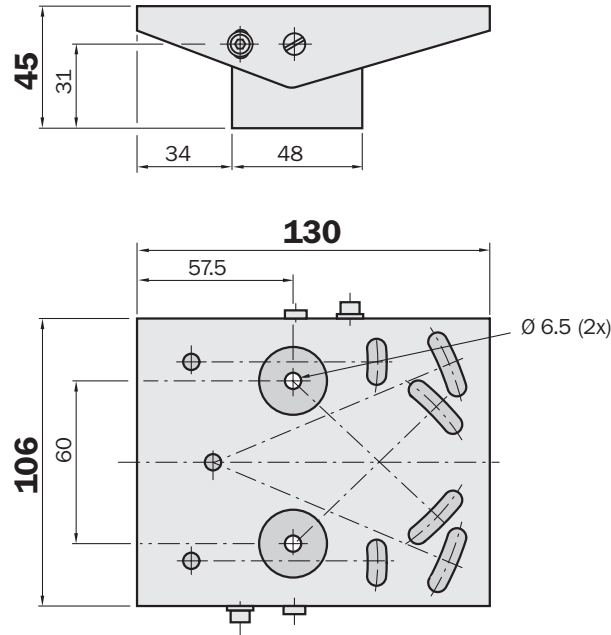
DMH

DML



Alignment unit

Dimensional drawing



Technical data

<b>Material</b>	Aluminium, anodised
<b>Delivery</b>	incl. mounting material

Order information

<b>Type</b>	<b>Order no.</b>
BEF-GH-DMT	5309130

**BEF-GH-DMH2**

Clamping and alignment bracket



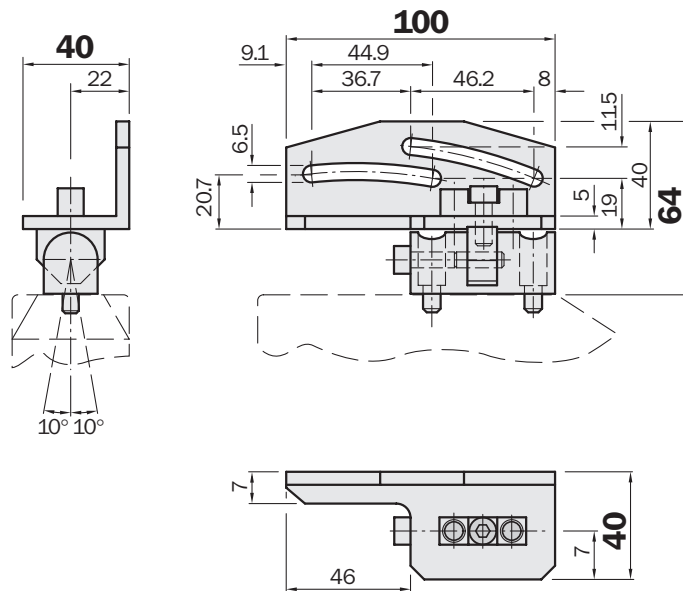
DMH

DMP



Alignment unit

Dimensional drawing



Technical data

<b>Material</b>	Aluminium, anodised
<b>Delivery</b>	incl. mounting material

Order information

<b>Type</b>	<b>Order no.</b>
BEF-GH-DMH2	2020796



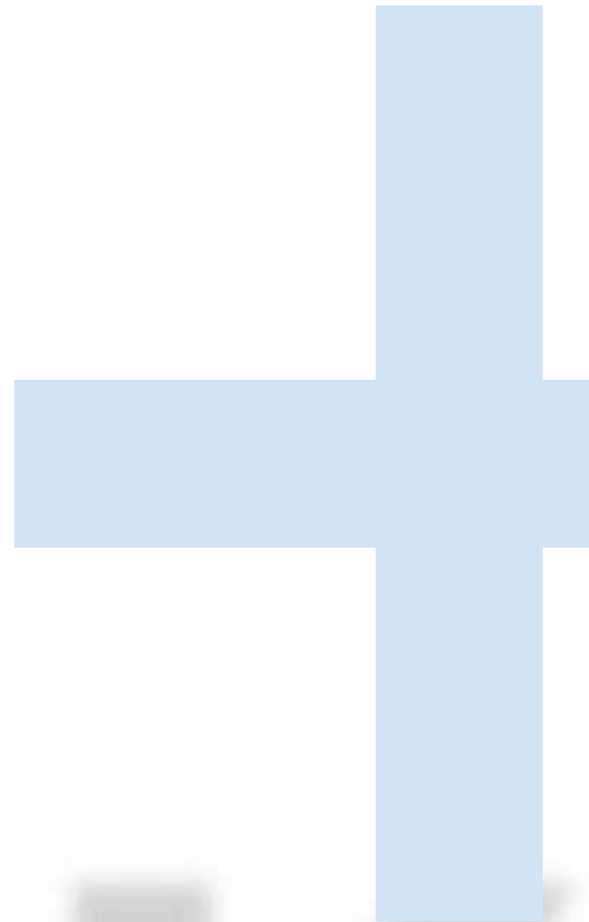
Protective devices – when it gets dirty





Sensors are used in many different places, and not always clean ones. Moisture, dust, intense sunlight or mechanical stresses can stretch the sensors' capabilities or even destroy them. Protective devices from SICK ensure perfect functionality of the SICK sensors. Even under extreme conditions they counteract harmful environmental effects to protect the sensor.

# PROTECTIVE DEVICES →





## BEF-W2S-C

Protective device

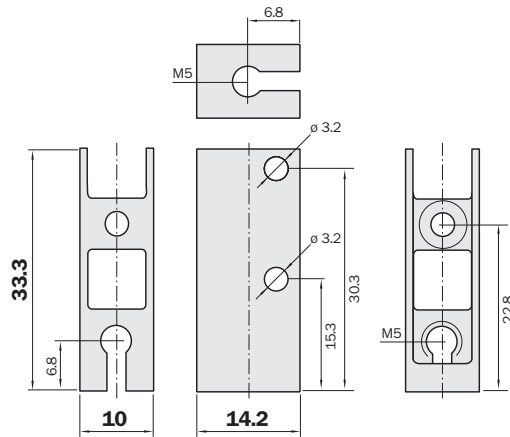


W2S



### Protective housing with cable protection

#### Dimensional drawing

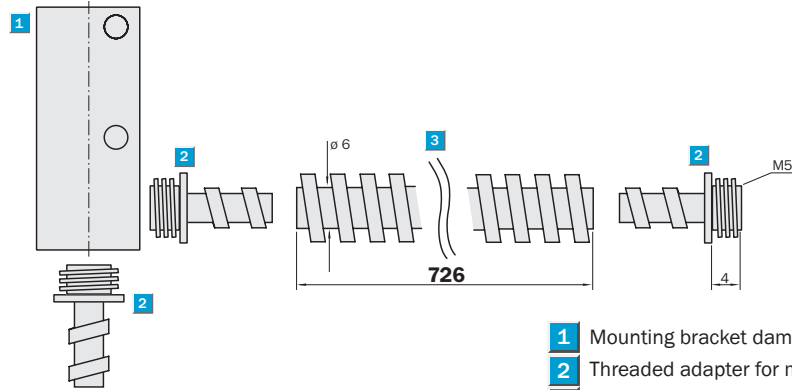


#### Technical data

Material	
Fixing bracket	Aluminium
Flexible metal conduit	Steel, chrome-plated

#### Order information

Type	Order no.
BEF-W2S-C	2033270



- 1 Mounting bracket damage protection for cables
- 2 Threaded adapter for metal flexible conduit
- 3 Flexible metal conduit/cable protection

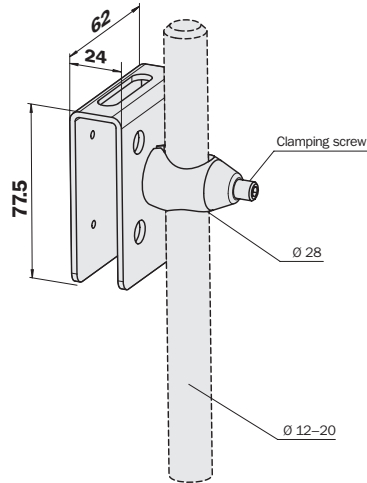
**BEF-SG-W12-3**

**Protection hood for universal bar clamp**

**Protective device**

**Dimensional drawing**

**Technical data**



Material	
Protection hood	Steel, galvanised
Clamp	Zinc, die-cast
Delivery	
incl. universal bar clamp and mounting material	

**Order information**

Type	Order no.
BEF-SG-W12-3	2045175

W11-2

W12-3



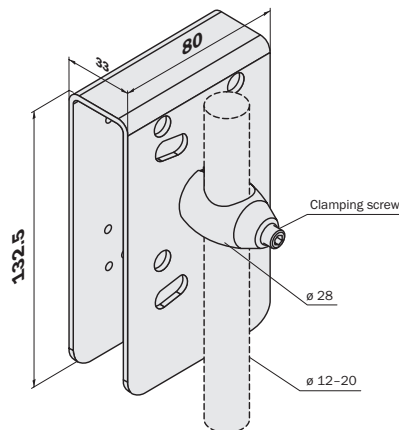
**BEF-SG-W27**

**Protection hood for universal bar clamp**

**Protective device**

**Dimensional drawing**

**Technical data**



Material	
Protection hood	Steel, galvanised
Clamp	Zinc, die-cast
Delivery	
incl. universal bar clamp and mounting material	

**Order information**

Type	Order no.
BEF-SG-W27	2039601

W14-2

W18-3

W23-2

W27-3

DT10

DS30



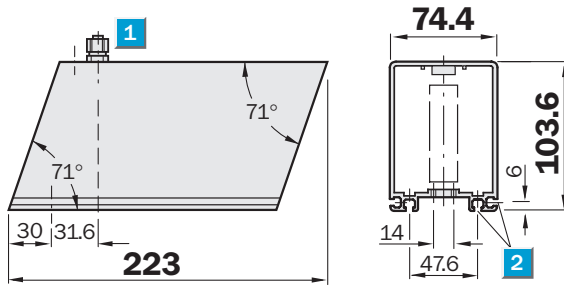
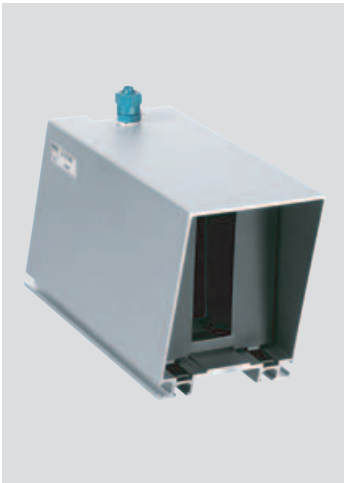
OBS-W24

Protective device

Dust protection tube, air-purged

Dimensional drawing

Technical data



<b>Material</b>	Aluminium, anodised
<b>Delivery</b>	incl. mounting material

Order information

<b>Type</b>	<b>Order no.</b>
OBS-W24	2015069

- 1** Fast action screw fitting for hose internal diameter 6 mm
- 2** Running nut channel for M5 nut

W24-2



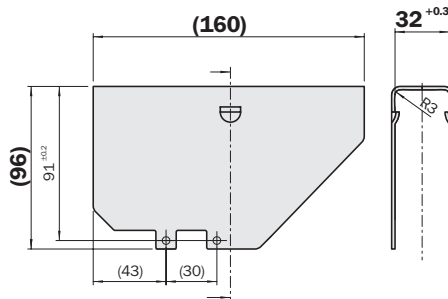
OBW-W24

Protective device

Weather-protection hood

Dimensional drawing

Technical data



<b>Material</b>	Aluminium, anodised
<b>Delivery</b>	incl. mounting material

Order information

<b>Type</b>	<b>Order no.</b>
OBW-W24	2015070

W24-2



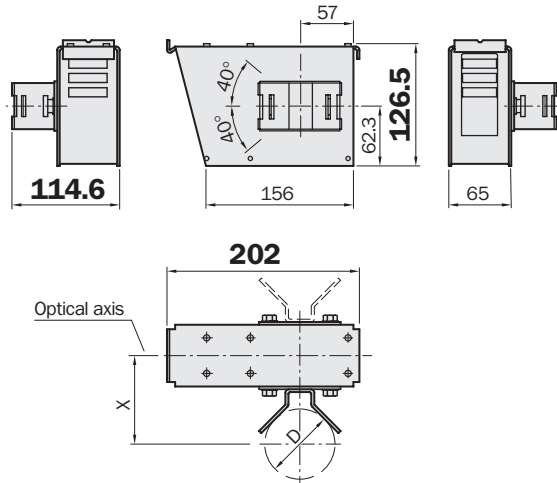
**WSG1-01**

**Weather-protection hood**

Protective device

Dimensional drawing

Technical data



<b>Material</b>	Aluminium, anodised
<b>Delivery</b>	incl. mounting material

<b>Order information</b>	
<b>Type</b>	<b>Order no.</b>
WSG1-01	1018470

W24-2

W34

DS40

DT60

DS60



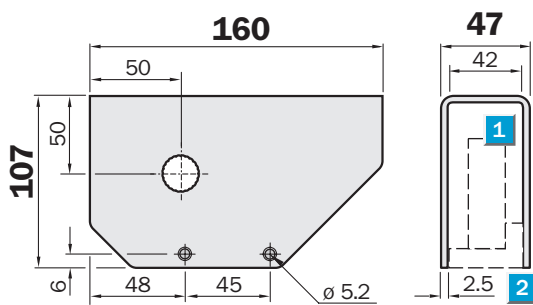
**OBW-KHS-M01**

**Weather-protection hood for universal bar clamp**

Protective device

Dimensional drawing

Technical data



<b>Material</b>	Steel, galvanised
<b>Delivery</b>	incl. mounting material

<b>Order information</b>	
<b>Type</b>	<b>Order no.</b>
OBW-KHS-M01	2023240

- 1** Sensor
- 2** Base plate with clamp supplied with unit

W23-2

W24-2

W27-3

W34

W260

DS30



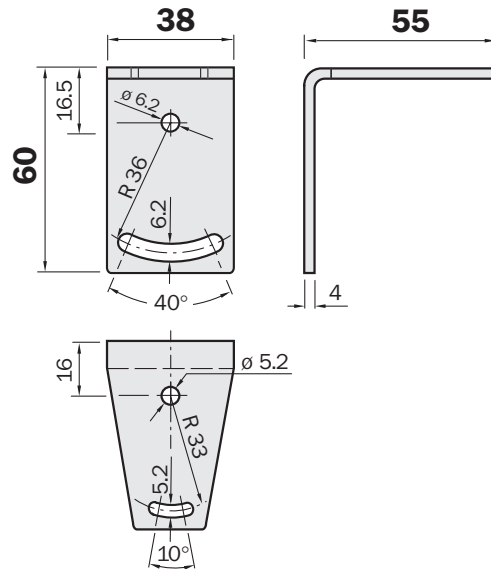
## BEF-WN-OBW

Protective device



### Mounting bracket for weather-protection hood OBW-KHS-M01

Dimensional drawing



Technical data

Material	Steel, galvanised
Delivery	incl. mounting material

Order information

Type	Order no.
BEF-WN-OBW	2023251

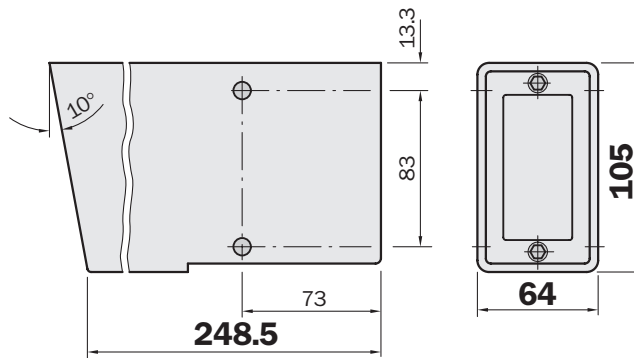
## OBS-W45

Protective device



### Dust protection tube

Dimensional drawing



Technical data

Material	Aluminium, painted
Delivery	incl. mounting material

Order information

Type	Order no.
OBS-W45	2011432

W45



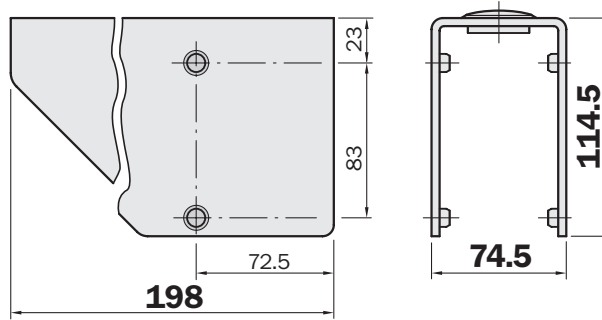
**OBW-W45**

**Weather-protection hood**

**Protective device**

**Dimensional drawing**

**Technical data**



<b>Material</b>	Aluminium, painted
<b>Delivery</b>	incl. mounting material

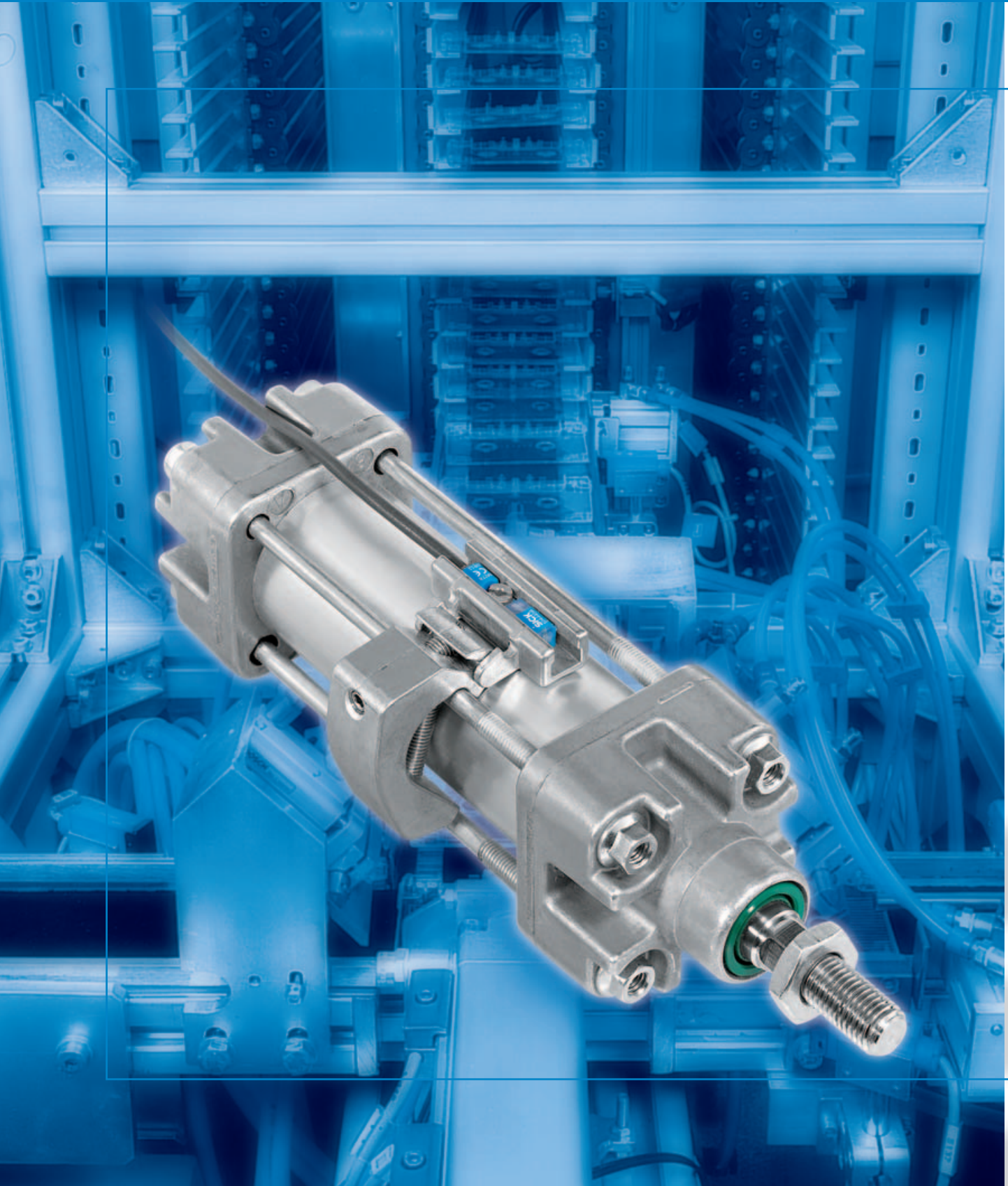
<b>Order information</b>	
<b>Type</b>	<b>Order no.</b>
OBW-W45	2011431

W45





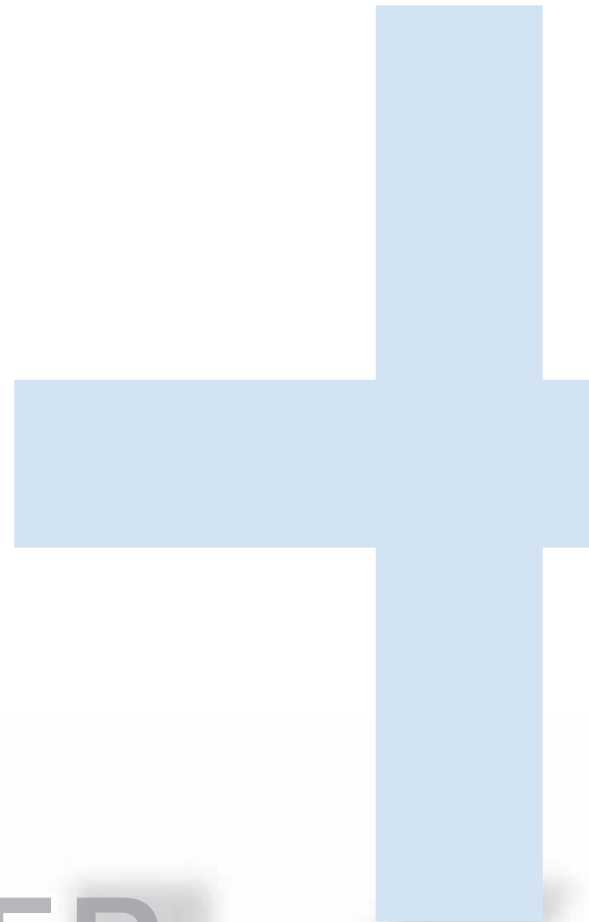
## Mountings for cylinder sensors – the matching connection





Many linear motion sequences in modern industrial installations are pneumatically driven via piston rod cylinders. Accurate position determination of cylinder pistons is crucial to system control. In this field, SICK offers plenty of sensors, of course with matching mounting systems, to fix these sensors safely to the housing of the different piston rod cylinders.

# MOUNTINGS FOR CYLINDER SENSORS →



## BEF-KHZ-RT1-xx

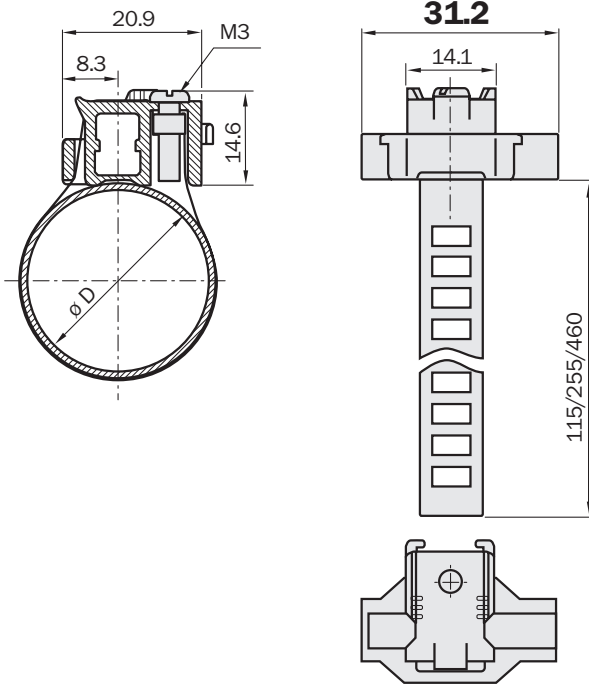
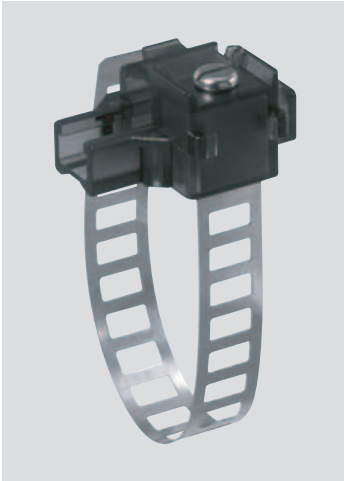
Mounting bracket for cylinder sensors

## Mounting bracket for round body cylinder

### Dimensional drawing

### Technical data

<b>Material</b>	Plastic (PEI)/ nickel silver
-----------------	---------------------------------



### Order information

Type	Order no.	$\varnothing D$ in mm
BEF-KHZ-RT1-25	5311171	8 ... 25
BEF-KHZ-RT1-63	5311172	8 ... 63
BEF-KHZ-RT1-130	5311506	8 ... 130

MZT1    MZT6    RZT1    RZT6    MZT8



**BEF-KHZ-PT1**

Mounting bracket for cylinder sensors

**Mounting bracket for profil-/tie-rod cylinders**

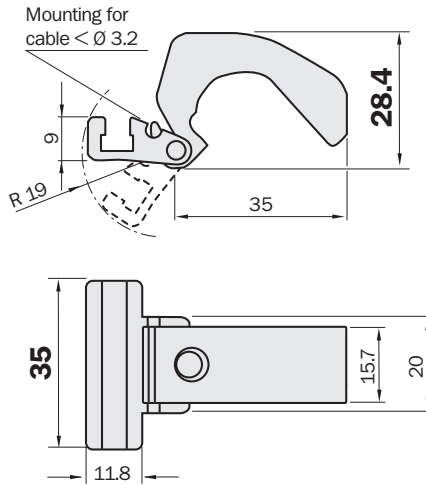
Dimensional drawing

Technical data

<b>Material</b>	Zinc, die-cast
<b>Delivery</b>	incl. mounting material

Order information

<b>Type</b>	<b>Order no.</b>
BEF-KHZ-PT1	2022702



MZT1

MZT6

RZT1

RZT6

MZT8



**BEF-KHZ-ST1**

Mounting bracket for cylinder sensors

**Mounting bracket for cylinders with dovetail slot**

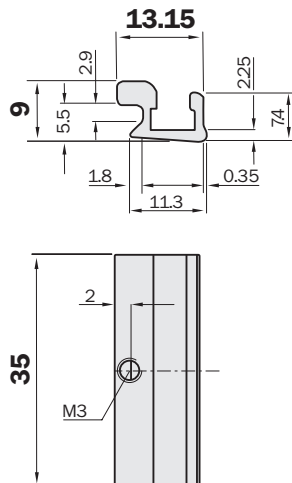
Dimensional drawing

Technical data

<b>Material</b>	Aluminium
-----------------	-----------

Order information

<b>Type</b>	<b>Order no.</b>
BEF-KHZ-ST1	2022703



MZT1

MZT6

RZT1

RZT6

MZT8



# Mounting bracket for cylinder sensors

## BEF-KHZ-TT1

Mounting bracket for cylinder sensors

Bracket for mounting to SMC rail ECDQ2 (T slot)

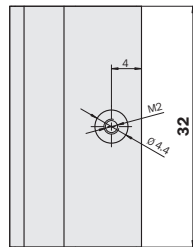
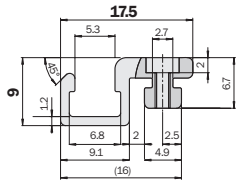
Dimensional drawing

Technical data

Material Aluminium

Order information

Type	Order no.
BEF-KHZ-TT1	2046439



MZT1 MZT6 RZT1 RZT6 MZT8 MZ2Q-T



## BEF-KHZ-TT2

Mounting bracket for cylinder sensors

Bracket for mounting to SMC rail CDQ2 (T slot)

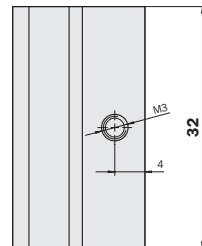
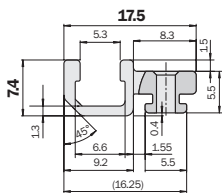
Dimensional drawing

Technical data

Material Aluminium

Order information

Type	Order no.
BEF-KHZ-TT2	2046440



MZT1 MZT6 RZT1 RZT6 MZT8 MZ2Q-T





**BEF-KHZ-TC1**

Mounting bracket for cylinder sensors

Bracket for mounting to SMC rail ECDQ2 (C slot)

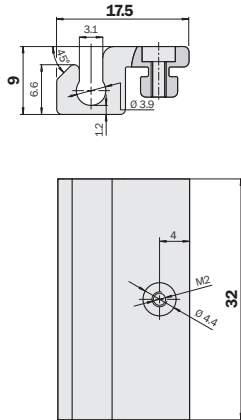
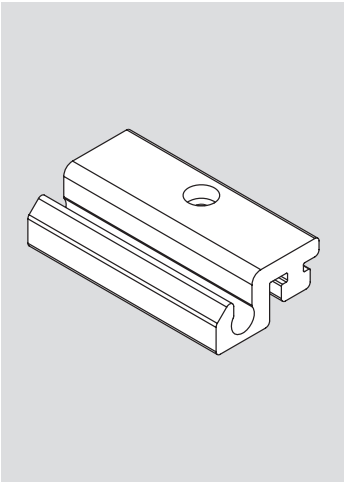
Dimensional drawing

Technical data

Material Aluminium

Order information

Type	Order no.
BEF-KHZ-TC1	2046441



MZN1

RZN1

MZ2Q-C



**BEF-KHZ-TC2**

Mounting bracket for cylinder sensors

Bracket for mounting to SMC rail CDQ2 (C slot)

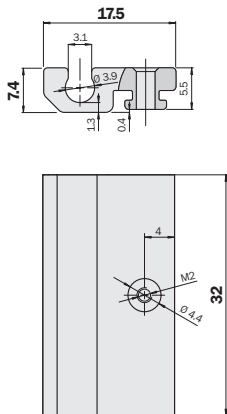
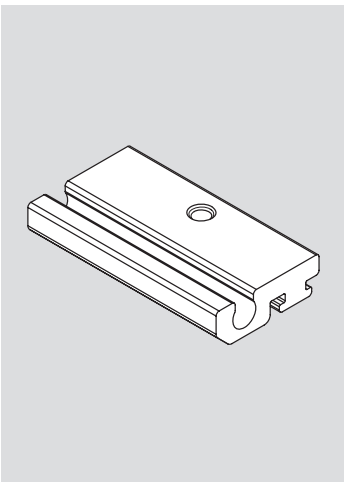
Dimensional drawing

Technical data

Material Aluminium

Order information

Type	Order no.
BEF-KHZ-TC2	2046442



MZN1

RZN1

MZ2Q-C



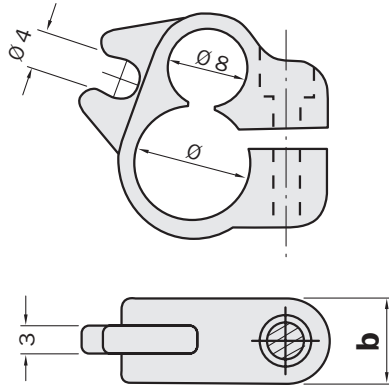
## BEF-S-R1-xx

Mounting bracket for cylinder sensors



### Cylinder mounting clamps

#### Dimensional drawing



#### Technical data

<b>Material</b>	see order informations
<b>Delivery</b>	incl. mounting material

### MZR1



#### Order information

Type	Order no.	$\varnothing$ clamping range in mm	b in mm	For piston rods $\varnothing$ in mm
BEF-S-R1-08 <sup>1)</sup>	7902337	9.2 ... 10.0	9	8
BEF-S-R1-10 <sup>1)</sup>	7901753	10.9 ... 12.0	9	10
BEF-S-R1-12 <sup>1)</sup>	7901754	12.9 ... 41.0	9	12
BEF-S-R1-16 <sup>1)</sup>	7901755	16.9 ... 18.0	9	16
BEF-S-R1-20 <sup>1)</sup>	7901756	21.0 ... 22.0	9	20
BEF-S-R1-25 <sup>1)</sup>	7901757	26.1 ... 27.2	9	25
BEF-S-R1-32 <sup>2)</sup>	7901758	33.0 ... 35.0	10	32
BEF-S-R1-40 <sup>2)</sup>	7901759	41.4 ... 42.5	10	40
BEF-S-R1-50 <sup>2)</sup>	7901760	52.5 ... 54.0	10	50
BEF-S-R1-63 <sup>2)</sup>	7901761	66.0 ... 67.0	10	63

<sup>1)</sup> PBTP plastic

<sup>2)</sup> POM plastic

**BEF-KS-U2-P1**

Mounting bracket for cylinder sensors

Clamping bracket for profil rod cylinder up to a rod width of 13 mm

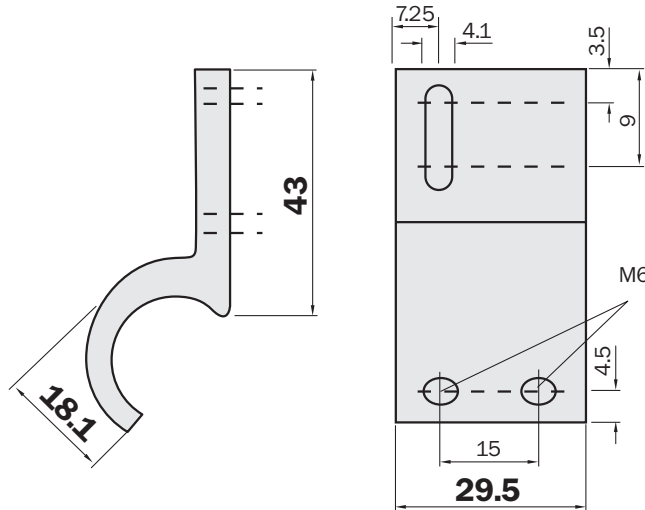
Dimensional drawing

Technical data

<b>Material</b>	Aluminium
<b>Delivery</b>	incl. mounting material

Order information

<b>Type</b>	<b>Order no.</b>
BEF-KS-U2-P1	2019824



MZU2



**BEF-KS-U2-P2**

Mounting bracket for cylinder sensors

Clamping bracket for profil rod cylinder up to a rod width of 18 mm

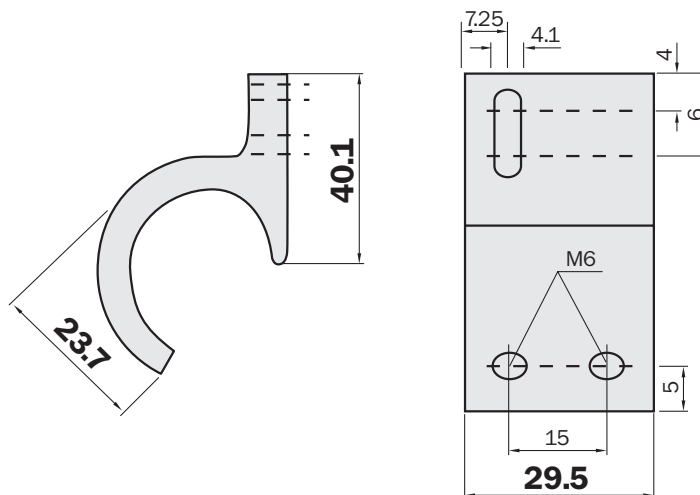
Dimensional drawing

Technical data

<b>Material</b>	Aluminium
<b>Delivery</b>	incl. mounting material

Order information

<b>Type</b>	<b>Order no.</b>
BEF-KS-U2-P2	2019823



MZU2





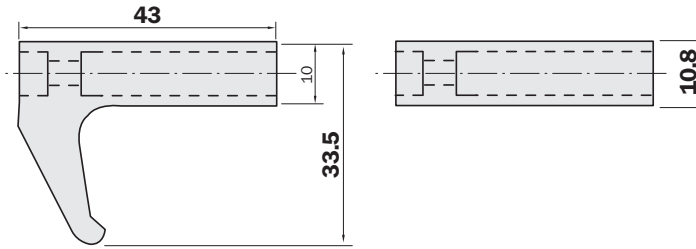
## BEF-KS-U2-S1

Mounting bracket for cylinder sensors



### Clamping bracket for tie-rod cylinder

Dimensional drawing



Technical data

<b>Material</b>	Zinc, die-cast
<b>Delivery</b>	incl. mounting material

Order information

<b>Type</b>	<b>Order no.</b>
BEF-KS-U2-S1	4030922

MZU2



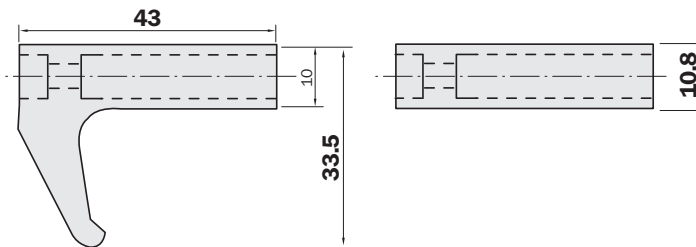
## BEF-KS-U2-S1T

Mounting bracket for cylinder sensors



### Clamping bracket for tie-rod cylinder, teflon coated

Dimensional drawing



Technical data

<b>Material</b>	Zinc, die-cast teflon coated
<b>Delivery</b>	incl. mounting material

Order information

<b>Type</b>	<b>Order no.</b>
BEF-KS-U2-S1T	4031632

MZU2



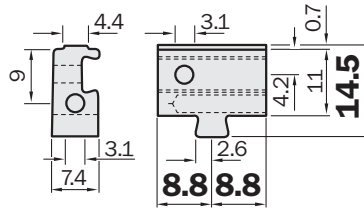
**BEF-KS-U2-T1**

Mounting bracket for cylinder sensors



Clamping bracket for cylinder with T-slot or dovetail slot

Dimensional drawing



Technical data

Material	Aluminium
Delivery	incl. mounting material

Order information

Type	Order no.
BEF-KS-U2-T1	2019822

MZU2



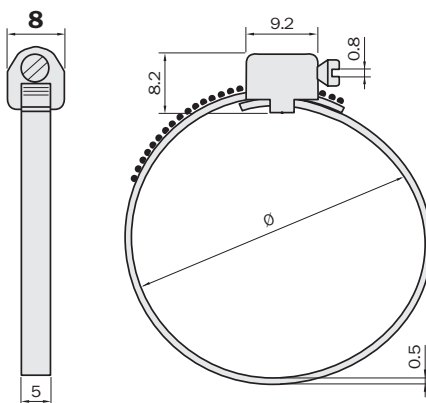
**BEF-S-R2-xx**

Mounting bracket for cylinder sensors



Mounting bracket for round body cylinder

Dimensional drawing



Technical data

Material	Stainless steel
----------	-----------------

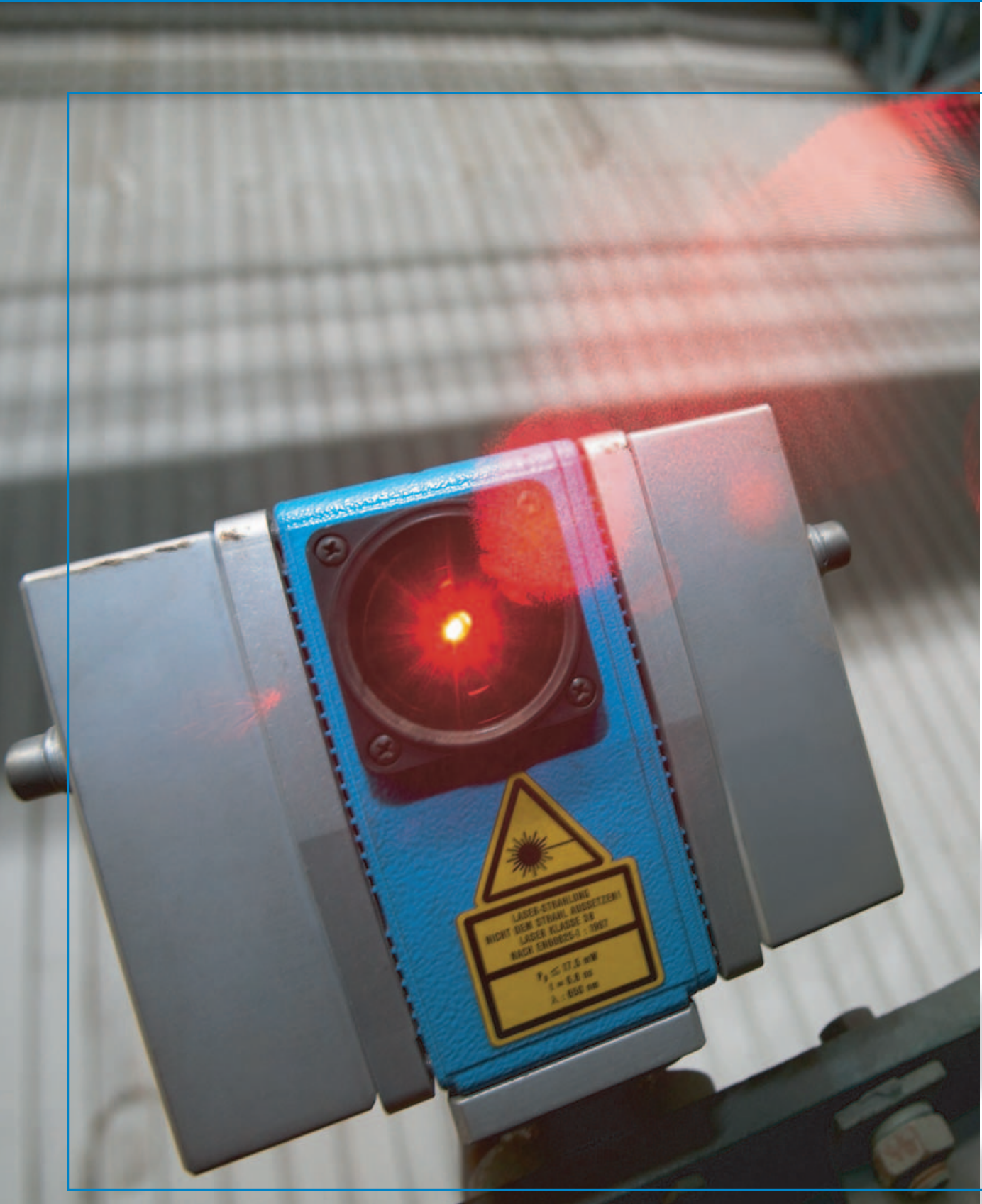
Order information

Type	Order no.	Ø clamping range in mm	For piston rods Ø in mm
BEF-S-R2-16	7901762	18 ... 29	8 ... 16
BEF-S-R2-25	7901763	28 ... 39	20 ... 25
BEF-S-R2-30	7901764	38 ... 49	32
BEF-S-R2-40	7901765	48 ... 59	40
BEF-S-R2-50	7901766	58 ... 69	50
BEF-S-R2-63	7901767	65 ... 79	63
BEF-S-R2-80	7901768	85 ... 100	80
BEF-S-R2-100	7901769	95 ... 110	100

MZR2

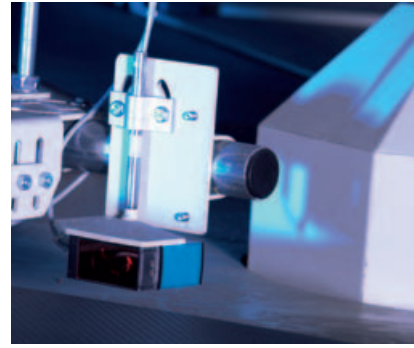


## Special accessories – for all extraordinary applications



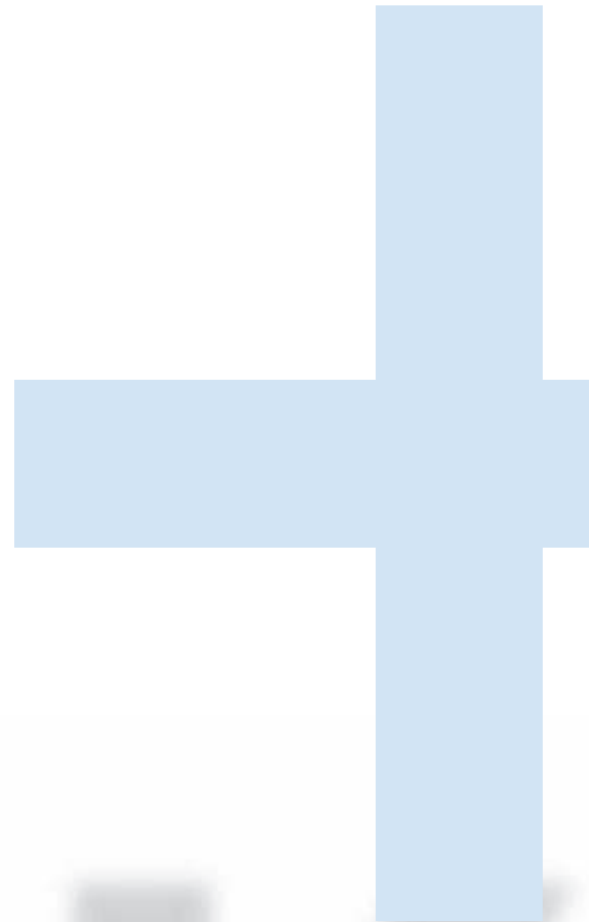
LASER-STRALUNG  
NICHT DEM STRAHL AUSSETZEN!  
LASER-KLASSE 2B  
NACH EN60825-1:2007

$P_0 \leq 17,5 \text{ mW}$   
 $\lambda = 635 \text{ nm}$   
 $\lambda : 630 \text{ nm}$



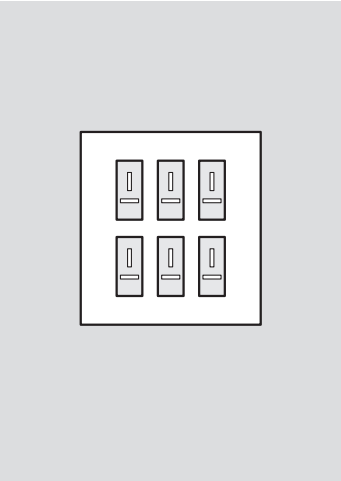
We have thought of everything: polarisation filter for reducing mutual interference of through-beam photoelectric switches, as well as slotted lens masks for focussing the emitted light paths, extend the applications for SICK sensors enormously. And, for high-temperature uses of SICK sensors, cooling plates for water cooling are the ultimate addition.

# SPECIAL ACCESSORIES



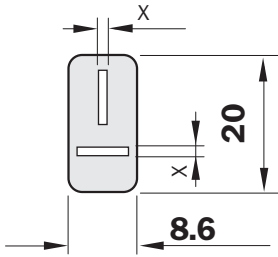
## BL-140

Masks



Slotted lens mask card, self-adhesive masks for sender and receiver

Dimensional drawing



Technical data

Slot width X	0.5 mm
	1.0 mm
	2.0 mm

Order information

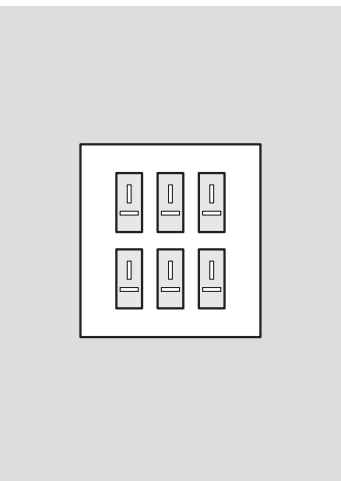
Type	Order no.
BL-140	5308458

WS/WE140-2



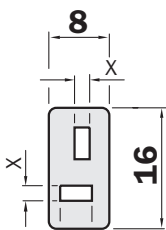
## BL-150-10

Masks



Slotted lens mask card, self-adhesive masks for sender and receiver

Dimensional drawing



Technical data

Slot width X	0.5 mm
	1.0 mm
	2.0 mm

Order information

Type	Order no.
BL-150-10	5306216

WS/WE150



**BL-160-10**

Slotted lens mask card, self-adhesive masks for sender and receiver

**Masks**

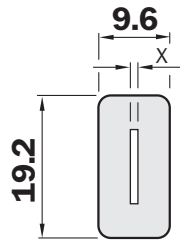
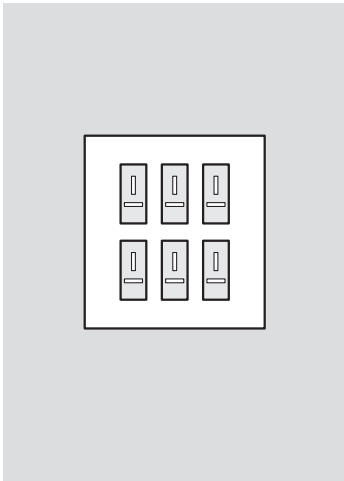
**Dimensional drawing**

**Technical data**

<b>Slot width X</b>	0.5 mm
	1.0 mm
	2.0 mm

**Order information**

<b>Type</b>	<b>Order no.</b>
BL-160-10	5305196



WS/WE160



**BL-160-SK**

Slotted lens mask card, self-adhesive masks for sender and receiver

**Masks**

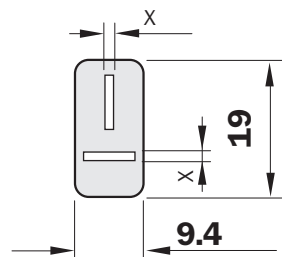
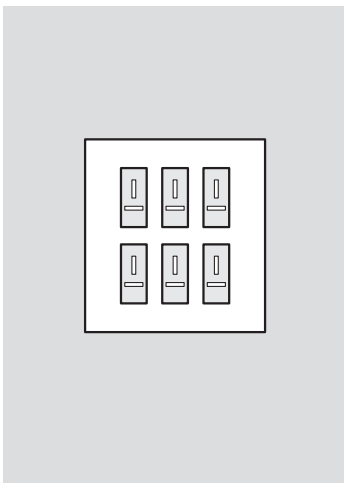
**Dimensional drawing**

**Technical data**

<b>Slot width X</b>	0.5 mm
	1.0 mm
	2.0 mm

**Order information**

<b>Type</b>	<b>Order no.</b>
BL-160-SK	5310718



WS/WE160



## BL-170-10

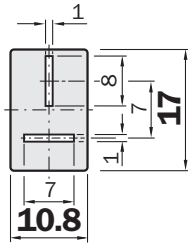
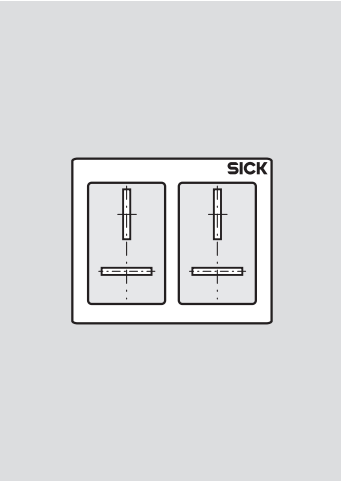
2 self-adhesive slotted lens masks for sender and receiver

Masks

Dimensional drawing

Order information

Type	Order no.
BL-170-10	5305687



WS/WE170



## BL-9-2

Slotted lens mask card, self-adhesive masks for sender and receiver

Masks

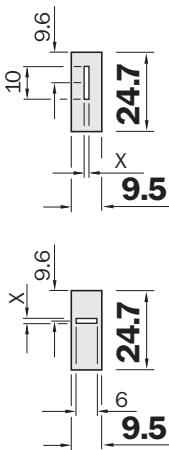
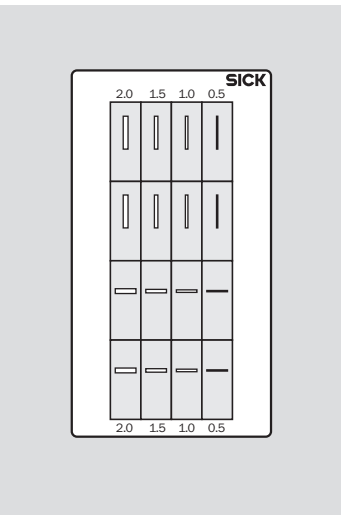
Dimensional drawing

Technical data

Slot width X	0.5 mm 1.0 mm 1.5 mm 2.0 mm
--------------	--------------------------------------

Order information

Type	Order no.
BL-9-2	4033253



WS/WE9-2



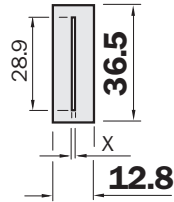
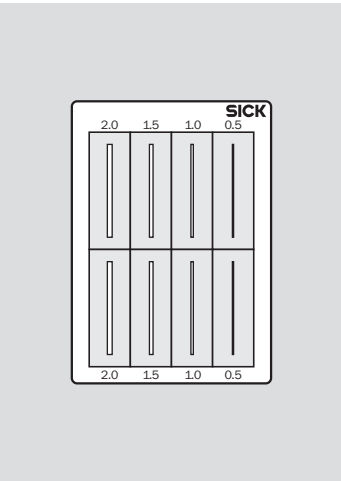
**BL-12-SKN**

Slotted lens mask card, self-adhesive masks for sender and receiver

**Masks**

**Dimensional drawing**

**Technical data**



<b>Slot width X</b>	0.5 mm
	1.0 mm
	1.5 mm
	2.0 mm

**Order information**

<b>Type</b>	<b>Order no.</b>
BL12-SKN	4031815

WSE11-2

WSE12-3



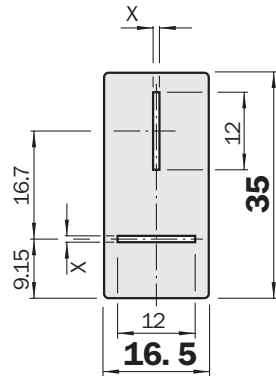
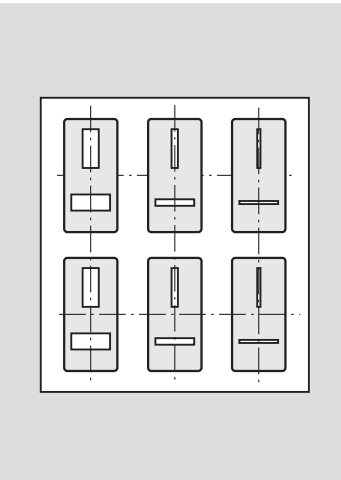
**BL-260-SK**

Slotted lens mask card, self-adhesive masks for sender and receiver

**Masks**

**Dimensional drawing**

**Technical data**



<b>Slot width X</b>	0.5 mm
	1.0 mm
	2.0 mm

**Order information**

<b>Type</b>	<b>Order no.</b>
BL-260-SK	5308773

WS/WE260<sup>1)</sup>

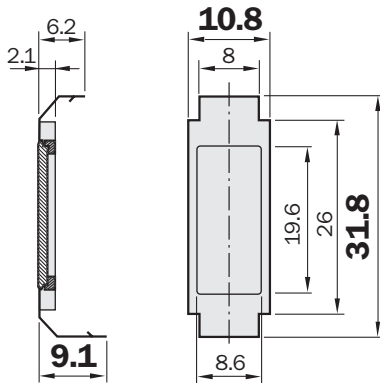


<sup>1)</sup> DC types



**BL-100-POLF**

Polarisation filter



Front polarisation filter

Dimensional drawing

Technical data

<b>Delivery</b>	2 x X- und 2 x Y-polarisation
-----------------	-------------------------------

Order information

<b>Type</b>	<b>Order no.</b>
BL-100-POLF	5314702

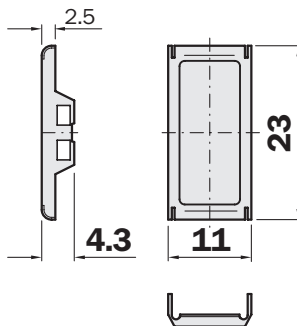
WS/WE8

WS/WE100



**BL-140-POLF**

Polarisation filter



Front polarisation filter

Dimensional drawing

Technical data

<b>Delivery</b>	2 x X- und 2 x Y-polarisation
-----------------	-------------------------------

Order information

<b>Type</b>	<b>Order no.</b>
BL-140-POLF	5308457

WS/WE140-2



**BL-170-POLF**

**Front polarisation filter**

**Polarisation filter**

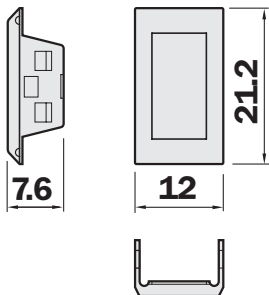
**Dimensional drawing**

**Technical data**

<b>Delivery</b>	2 x X- und 2 x Y-polarisation
-----------------	-------------------------------

**Order information**

<b>Type</b>	<b>Order no.</b>
BL-170-POLF	5305688



WS/WE170





**BEF-KPM-DME**

**Cooling plates**



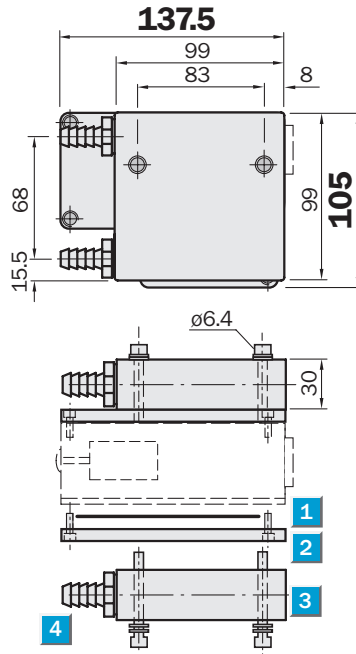
DME2000

DME3000



**Cooling plate assembly kit for water cooling**

**Dimensional drawing**



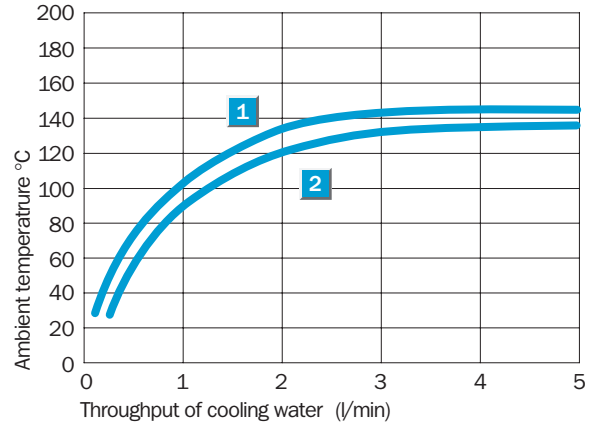
- 1 Heat conduction cloth (2 x)
- 2 Adapter plate (2 x)
- 3 Cooling plate (2 x)
- 4 Hose nozzle R 1/2"

**Technical data**

<b>Material</b>	Aluminium, anodised
<b>Delivery</b>	incl. mounting material

**Order information**

<b>Type</b>	<b>Order no.</b>
BEF-KPM-DME	2014457



- 1 Temperature for cooling water 20 °C
- 2 Temperature for cooling water 30 °C





### FACTORY AUTOMATION

With its intelligent sensors, safety systems, and auto idet applications, SICK realises comprehensive solutions for factory automation.

- Non-contact detecting, counting, classifying, and positioning of any types of object
- Accident protection and personal safety using sensors, as well as safety software and services



### LOGISTICS AUTOMATION

Sensors made by SICK form the basis for automating material flows and the optimisation of sorting and warehousing processes.

- Automated identification with bar code and RFID reading devices for the purpose of sorting and target control in industrial material flow
- Detecting volume, position, and contours of objects and surroundings with laser measurement systems



### PROCESS AUTOMATION

Analyzers and Process Instrumentation by SICK MAIHAK provides for the best possible acquisition of environmental and process data.

- Complete systems solutions for gas analysis, dust measurement, flow rate measurement, water analysis or, respectively, liquid analysis, and level measurement as well as other tasks



Worldwide presence with subsidiaries in the following countries:

Australia  
Belgium/Luxembourg  
Brasil  
Ceská Republika  
China  
Danmark  
Deutschland  
España  
France  
Great Britain  
India  
Israel  
Italia  
Japan

Nederlands  
Norge  
Österreich  
Polska  
Republic of Korea  
Republika Slovenija  
România  
Russia  
Schweiz  
Singapore  
Suomi  
Sverige  
Taiwan  
Türkiye  
USA/Canada/México

Please find detailed addresses and additional representatives and agencies in all major industrial nations at [www.sick.com](http://www.sick.com)

Handed over by:

