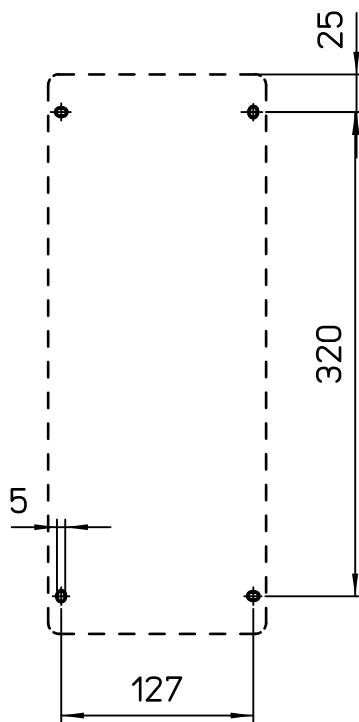
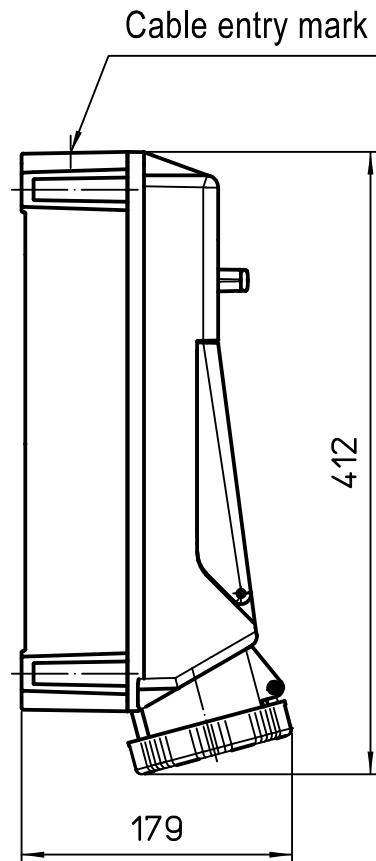
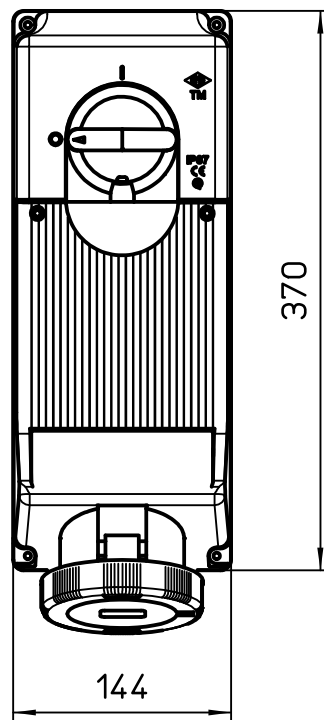



Diritti riservati All rights reserved



Fixing holes

dimensions in mm	TM 63.. IT	Scale	
Date 28/6/10	SW.S+F.SCRE.63A	1:5	
Sign. Visentin			