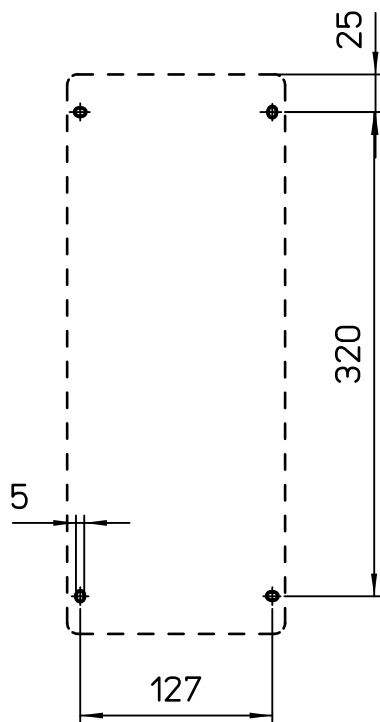
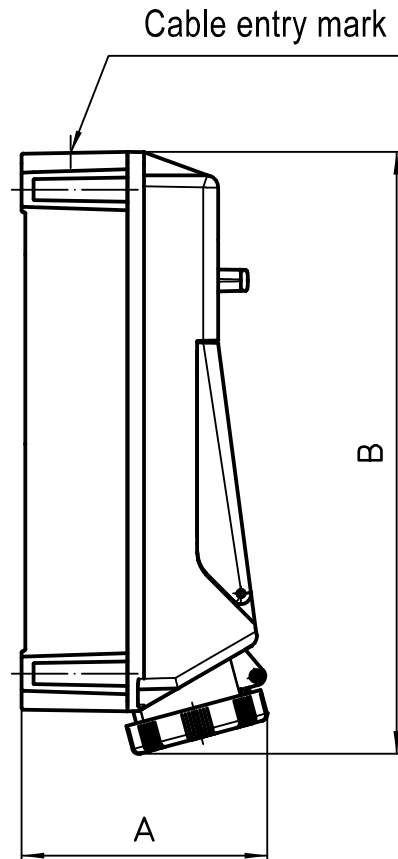
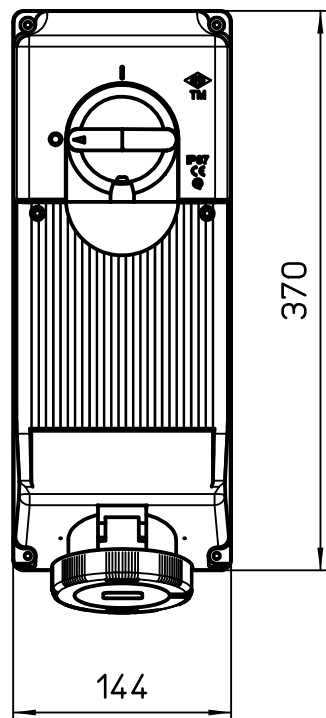



Diritti riservati All rights reserved



Fixing holes

		PART NUMBERS	A	B
32A	2P+⊕	TM 32x3 SP	162	398
	3P+⊕	TM 32x4 SP	162	398
	3P+N+⊕	TM 32x5 SP	169	398

dimensions in mm		TM 32.. SP SW.S+SWITCH 32A	Scale 1:5	
Date	28/6/10			
Sign.	Visentin			