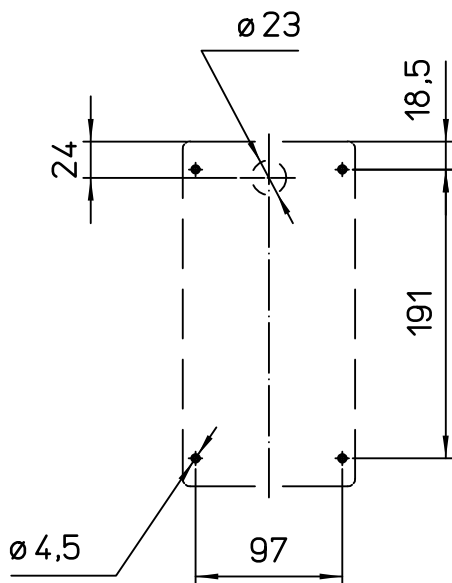
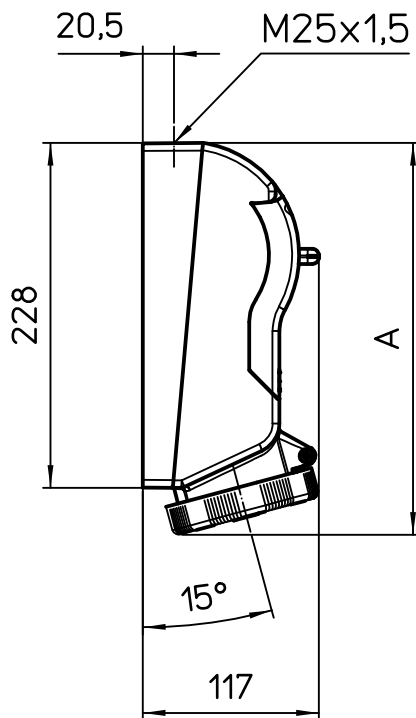
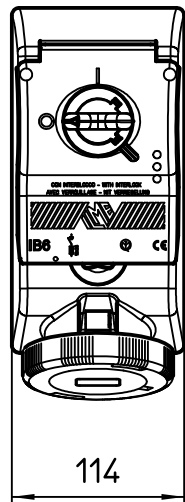


Diritti riservati All rights reserved



Fixing holes

		PART NUMBERS	A
16A	2P+⊕	KI 16X3 IB6	252
	3P+⊕	KI 16X4 IB6	252
	3P+N+⊕	KI 16X5 IB6	252
32A	2P+⊕	KI 32X3 IB6	260
	3P+⊕	KI 32X4 IB6	260
	3P+N+⊕	KI 32X5 IB6	260

dimensions in mm
Date 7/11/2012
Sign. Visentin

KI 16XX / 32XX IB6
SW.S+F.SECT.16A/32A

Scale
1:5

