

enclosures:

size "44.27"from page 176
 size "57.27"from page 184

inserts with screw fixing centre distance:

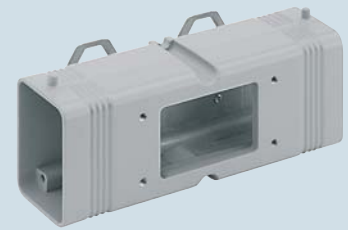
44 x 27 mm
 57 x 27 mm

1 branch-off T-BOX coupling



NEW

1 branch-off T-BOX coupling to be fitted on DIN rails



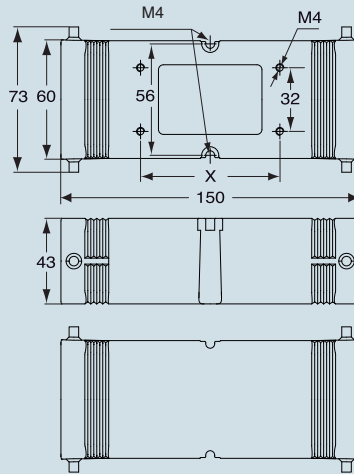
NEW

description	part No.	part No.
for 2 C hoods with lever and gasket "44.27" size and one CHI housing "44.27" A size	CYG 06H06	
for 2 C hoods with lever and gasket "44.27" size and one CHI housing "57.27" A size	CYG 06H10	
for 2 C hoods with lever and gasket "44.27" size and one CHI housing "44.27" A size		CYG 06H06D
for 2 C hoods with lever and gasket "44.27" size and one CHI housing "57.27" A size		CYG 06H10D

How to use the CYG 06H branch coupling

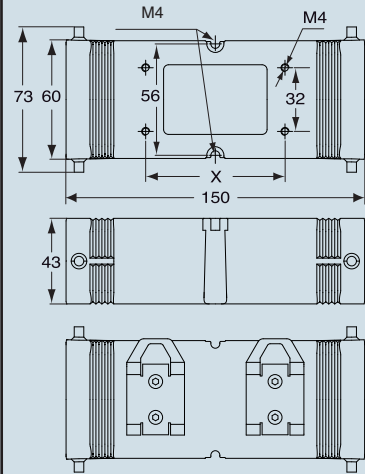
The cables are branched off by using the CYG 06H coupling in the 1 or 2 branch-off versions. Multi-pole inserts "44.27" size can be fitted inside the two side recesses. The entire unit can be used with one lever hoods complete with connector inserts. The front faces can be fitted with "44.27" and/or "57.27" size bulkhead housings. The coupling may also be used as an adapter by using a combination of different insert versions. The CHC 06 LG cover may be used to close the coupling side faces. In the branch-offs, the CSS series dual spring terminal inserts allow two wires to be connected without having to fit additional terminals inside the coupling.

dimensions in mm
CYG...H06 / H10



part No.	X
CYG 06H06	70
CYG 06H10	83

dimensions in mm
CYG...H06D / H10D



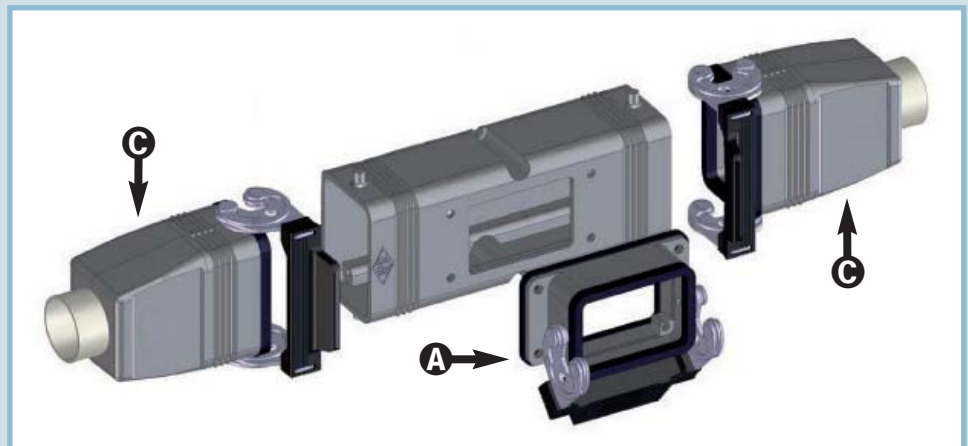
part No.	X
CYG 06H06D	70
CYG 06H10D	83

part No.	A	C
	CHI	CHV .. LG *
CYG 06H06	06	06
CYG 06H10	10	06
CYG 06H06D	06	06
CYG 06H10D	10	06

* the following enclosures may also be used:
 MHV / CAV / MAV / CFV / MFV 06 LG

CALUS® Type 4/4X/12
 (certification being applied)

dimensions shown are not binding
 and may be changed without notice



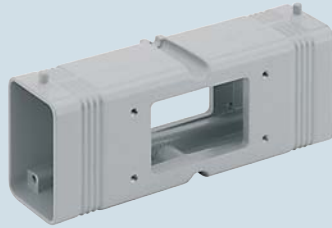
enclosures:

size "44.27"from page 176
 size "57.27"from page 184

inserts with screw fixing centre distance:

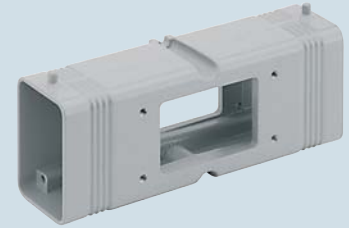
44 x 27 mm
 57 x 27 mm

2 branch-off T-BOX coupling



NEW

2 branch-off T-BOX coupling



NEW

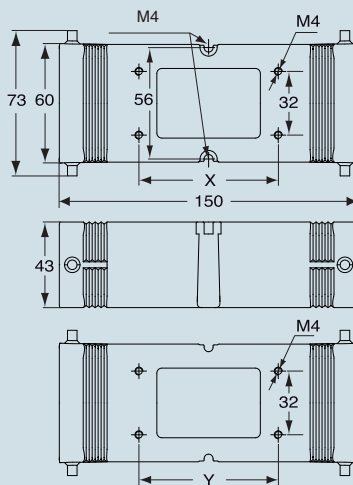
description	part No.	part No.
for 2 "44.27" size hoods with lever and gasket and 1 "44.27" size fixing side CHI housing and one "57.27" size CHI housing	CYG 06H0610	
for 2 "44.27" size hoods with lever and gasket and 1 "57.27" size fixing side CHI housing and one "44.27" size CHI enclosure	CYG 06H1006	
for 2 "44.27" size hoods with lever and gasket and two "44.27" size CHI housing		CYG 06H0606
for 2 "44.27" size hoods with lever and gasket and two "57.27" size CHI housing		CYG 06H1010

How to use the CYG 06H branch coupling

The cables are branched off by using the CYG 06H coupling in the 1 or 2 branch-off versions. Multi-pole inserts "44.27" size can be fitted inside the two side recesses. The entire unit can be used with one lever hoods complete with connector inserts. The front faces can be fitted with "44.27" and/or "57.27" size bulkhead housings. The coupling may also be used as an adapter by using a combination of different insert versions. The CHC 06 LG cover may be used to close the coupling side faces. In the branch-offs, the CSS series dual spring terminal inserts allow two wires to be connected without having to fit additional terminals inside the coupling.

dimensions in mm

CYG...H0610 / H1006 and CYG...H0606 / H1010



part No.	X	Y
CYG 06H0610	83	70
CYG 06H1006	70	83
CYG 06H0606	70	70
CYG 06H1010	83	83

part No.	A	B	C
	CHI	CHI	CHV .. LG *
CYG 06H0610	06	10	06
CYG 06H1006	10	06	06
CYG 06H0606	06	06	06
CYG 06H1010	10	10	06

* the following enclosures may also be used:
 MHV / CAV / MAV / CFV / MFV 06 LG

CALUS® Type 4/4X/12
 (certification being applied)

dimensions shown are not binding
 and may be changed without notice

