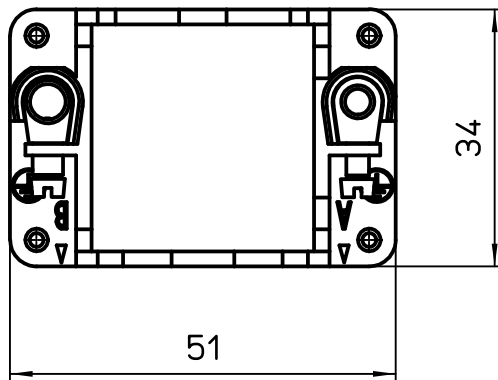
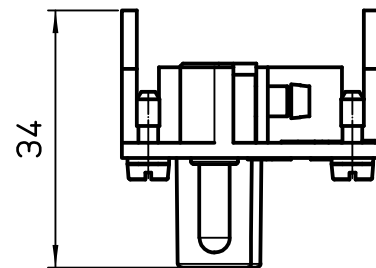
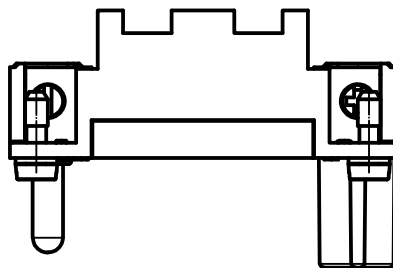
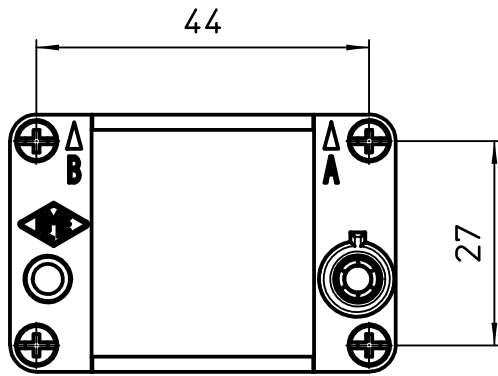
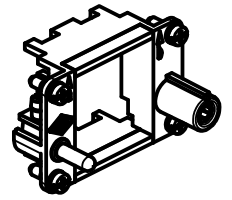


Diritti riservati All rights reserved



A	07/11/12	Improvement		
dimensions in mm		CX 02 TM frame for 2 modular units for hoods	Scale	
Date	29/11/06		1:1	
Sign.	T.Tedeschi			