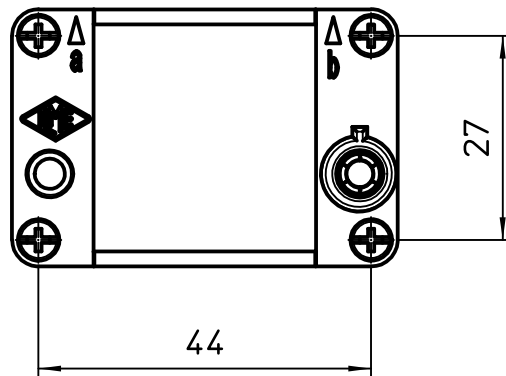
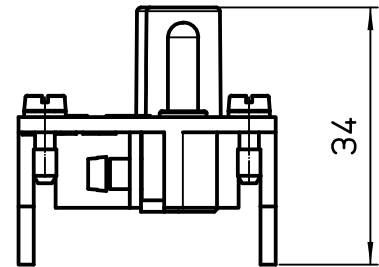
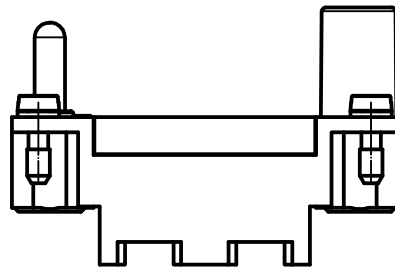
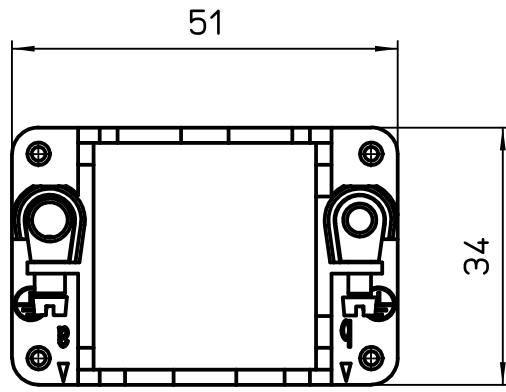
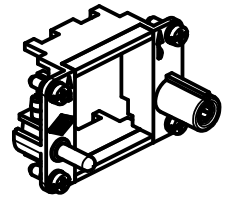


Diritti riservati All rights reserved



A	07/11/12	Improvement	
dimensions in mm		CX 02 TF frame for 2 modular units for housings	Scale
Date	29/11/06		1:1
Sign.	T.Tedeschi		