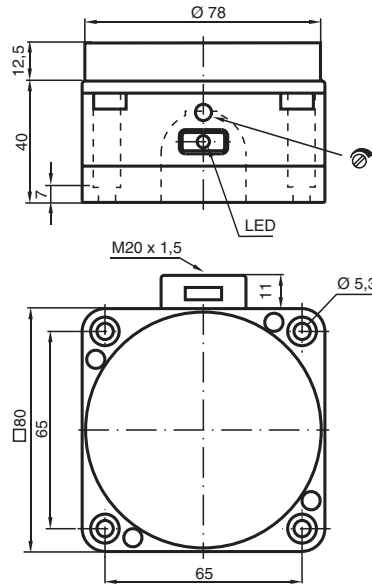


Comfort series

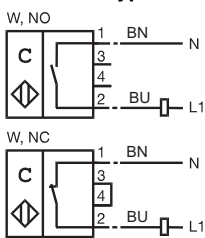
40 mm not embeddable

The switching distance can be set over a wide range with the potentiometer



Switching element function	AC	Make/Break function
Rated operating distance s_n	40 mm	
Installation	not embeddable	
Assured operating distance s_a	0 ... 28,8 mm	
Operating voltage U_B	20 ... 253 V	
Switching frequency f	0 ... 10 Hz	
Short circuit protection	no	
Voltage drop U_d	≤ 7 V	
Momentary current (20 ms, 0.1 Hz)	0 ... 4000 mA	
Operating current I_L	10 ... 500 mA	
Off-state current I_r	0 ... 2,5 mA typ.	
Indication of the switching state	LED, red	
EMC in accordance with	EN 60947-5-2	
Ambient temperature	-25 ... 70 °C (248 ... 343 K)	
Connection type	terminal compartment	
Core cross-section	up to 2.5 mm ²	
Housing material	PBT/POM	
Sensing face	POM	
Protection degree	IP65	

Connection_type:



041505_ENG.xml

2003-08-15

www.pepperl-fuchs.com

PEPPERL+FUCHS GmbH