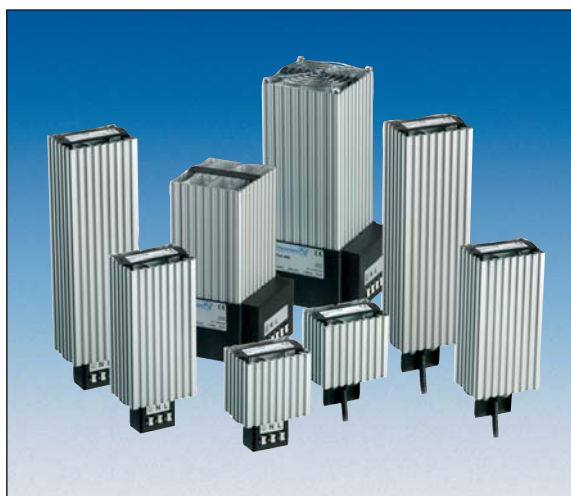


# Radiant Heater and Fan Heater

## FLH 010 - FLH 400



Heat generated by electrical equipment operating under load will prevent the accumulation of condensation. After the equipment has been switched off however it cools down and gradually adapts to the ambient temperature, thus dropping below the dew point.

This is the signal that triggers the heater! These sources of heat prevent the formation of condensation by raising the internal temperature a few degrees above the ambient temperature.

In the interest of evenly distributing the heat, we recommend that the requirement of heating capacity is divided among several small heaters.



System of protection



suitable for both 50 Hz and 60 Hz



115V...230V (FLH 010-150)

Thermal data	Radiant Heater								Fan Heater	
	FLH 010	FLH 015	FLH 030	FLH 045	FLH 060	FLH 075	FLH100	FLH 150	FLH 250	FLH 400
Heater power ( $T_U = +20^\circ\text{C}$ )	10 Watt	15 Watt	30 Watt	45 Watt	60 Watt	75 Watt	100 Watt	150 Watt	250 Watt	400 Watt
Max. surface temperature approx.	55 °C	65 °C	90 °C	105 °C	105 °C	120 °C	130 °C	150 °C	70 °C	85 °C
Airflow									50 m <sup>3</sup> /h (50 Hz) 61 m <sup>3</sup> /h (60 Hz)	
Duty cycle	100 %									
Heating element	PTC (positive temperature coefficient), temperature regulating								resistance type with temperature monitor	

### Electrical data

Rated voltage <sup>1)</sup>	230 V (50 / 60 Hz) <sup>2)</sup>								115 V or 230 V	
Voltage range	110 - 250 V								104 - 126 V or 207 - 258 V	
Power consumption	10 Watt	15 Watt	30 Watt	45 Watt	60 Watt	75 Watt	100 Watt	150 Watt	260 Watt	410 Watt
Starting current approx.	1,0A	1,1A	1,2A	1,8A	2,5A	4,5A	5,0A	7,5A	2,2A / 1,1A	3,6A / 1,8A

<sup>1)</sup> other voltages (24V DC, 48V DC) on request

<sup>2)</sup> selected models available in 400V

### Mechanical data

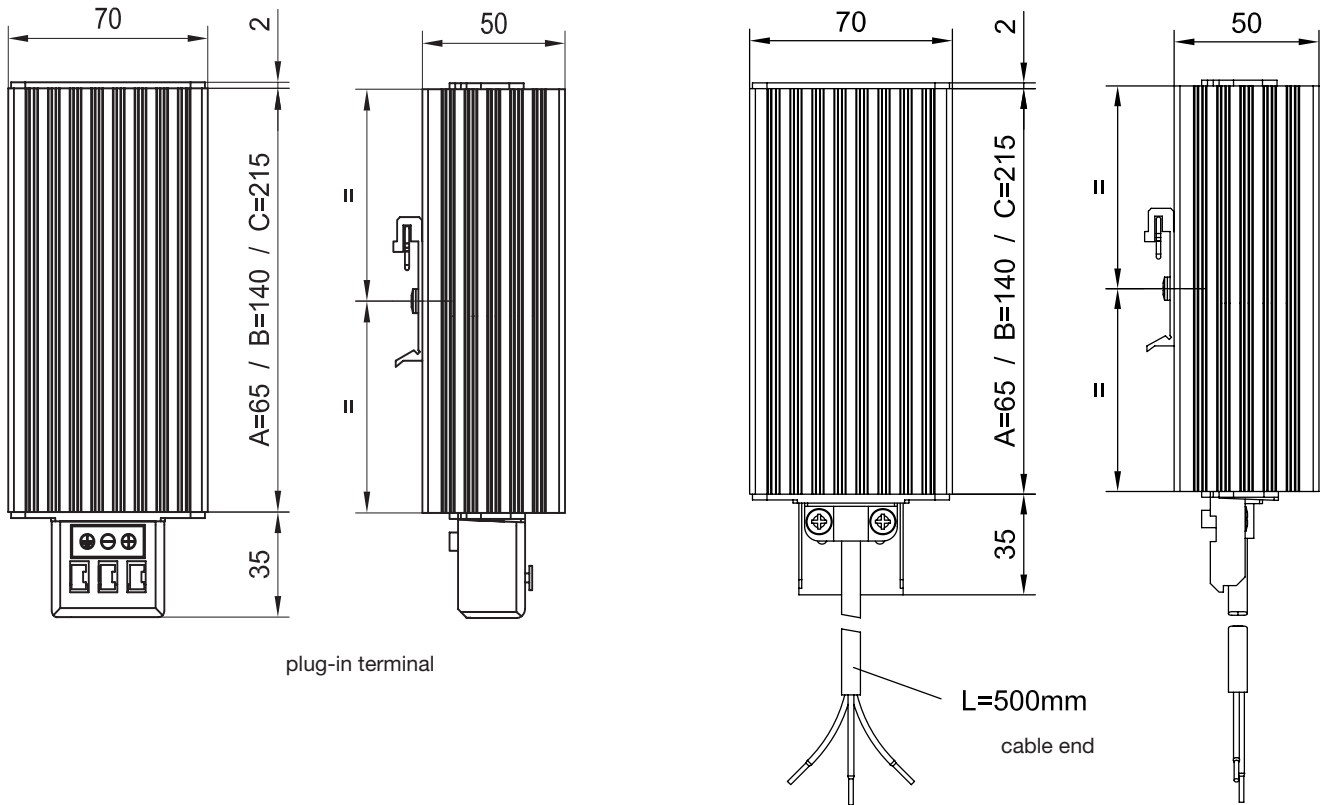
Fitting position	any, vertical position preferred								airflow vertical, exit at top	
Construction	aluminium section, anodised (light-coloured)									
Weight	250 g	250 g	250 g	250 g	450 g	510 g	510 g	770 g	1.035 g	1.200 g
Dimensions	A	A	A	A	B	B	B	C	D	E
Protection class	I								I	
Connection	cable end or plug-in terminal								plug-in terminal	
Binding post clamping area	single filament: 2 x 0,5 - 2,5 mm <sup>2</sup> , fine multi-filament: (soldered, wire and sleeve, pin terminal) 2 x 0,5 - 1,5 mm <sup>2</sup>									
Mounting method	snap fastening for 35mm profile bars according to EN 60715									

### Supplementary data

Operating temperature	- 40 °C (- 40 °F) ... + 70 °C (+ 158 °F)								- 20 °C (- 4 °F) ... + 70 °C (+ 158 °F)	
Storage temperature	- 40 °C (- 40 °F) ... + 70 °C (+ 158 °F)								- 40 °C (- 40 °F) ... + 70 °C (+ 158 °F)	
System of protection	IP 44 (cable end), IP 20 (plug-in terminal), when installed as recommended								IP 20, when installed as recommended	
Accessories	thermostats, hygrostats									
Approvals	UL approval									
Optional extra									2nd protective guard	

**Mechanical data:**

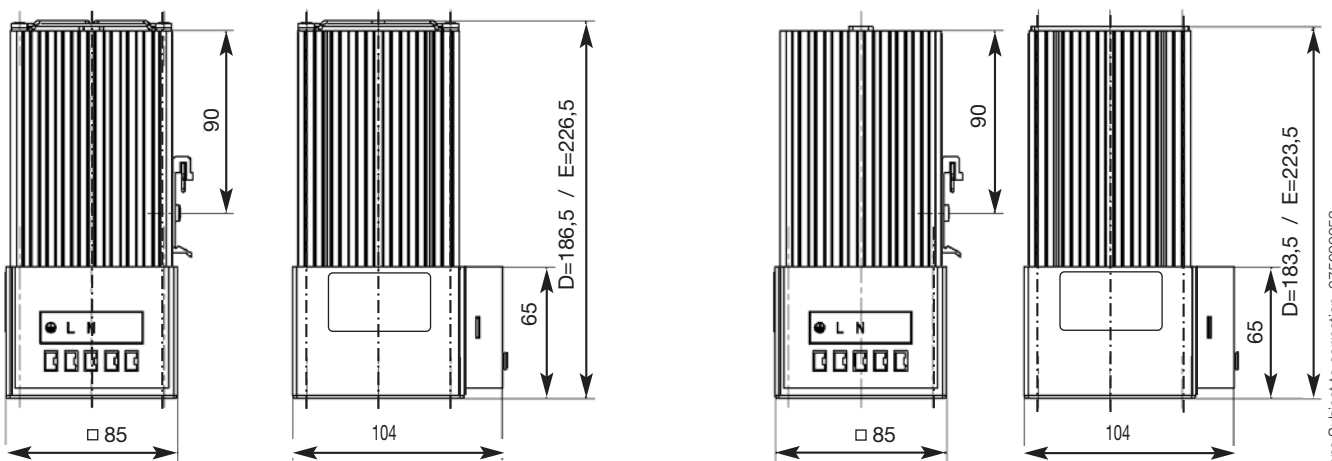
**FLH 010 - FLH 150**



plug-in terminal

L=500mm  
cable end

**FLH 250 / FLH 400**



with guard

without guard