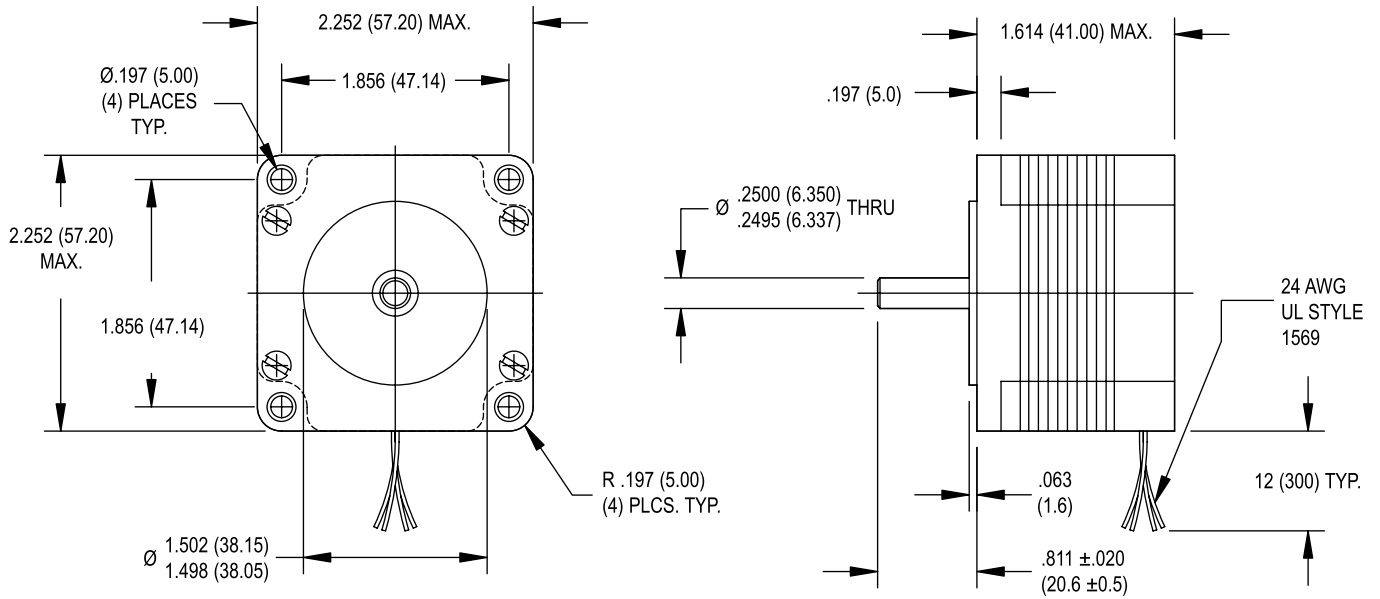
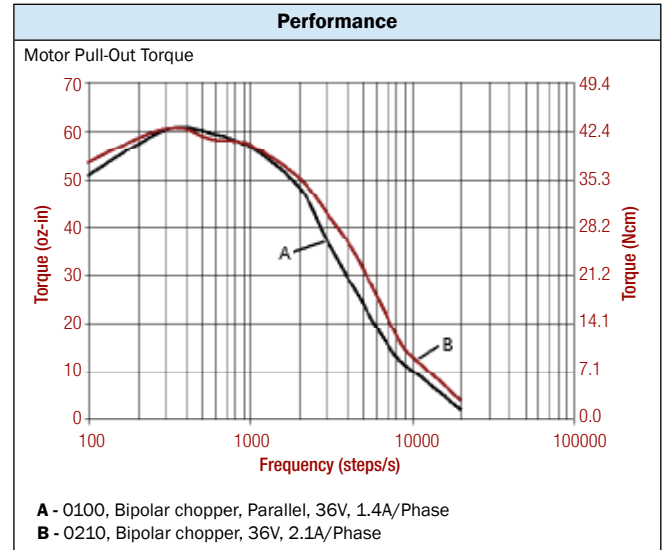


SIZE 23 HIGH PERFORMANCE STEPPER MOTOR DATA



Specification	Units	HS 200 2216	
		0100	0210
Rated Phase Current	A	1.00	2.10
Phase Resistance	Ω	4.6	1.0
Phase Inductance	mH	4.6	2.1
Holding Torque Unipolar	oz-in Ncm	52 37	—
Holding Torque Bipolar	oz-in Ncm	67 47	67 47
Detent Torque	oz-in Ncm	3.0 2.1	3.0 2.1
Rotor Inertia	oz-in-s ² $\times 10^{-4}$ g-cm ²	11 77	11 77
Motor Weight (Mass)	lb kg	1.1 0.50	1.1 0.50
Maximum Voltage	V	75	75
Std. No. of Leads	—	8	4



- Standard Features**
- Step angle: 1.8°
 - Step angle accuracy: 5%
 - Insulation class: B (130°C)
 - Optimized for microstep operation
 - NEMA 23 mounting configuration
 - Neodymium magnets
 - Additional windings and customization options available

- Complementary Products**
- Gearboxes
 - Encoders

