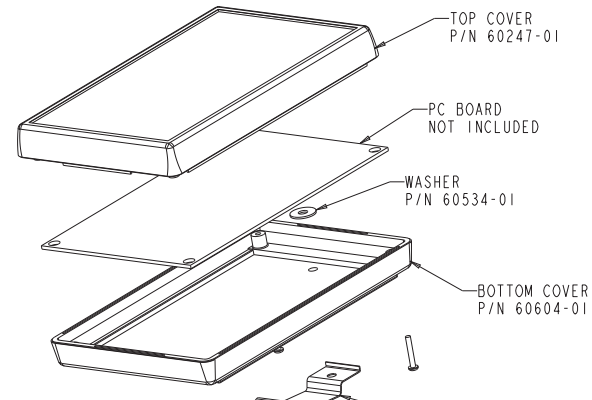


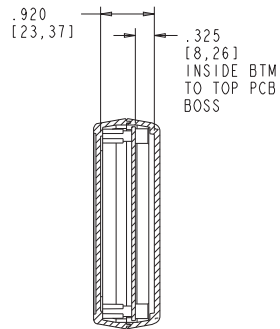
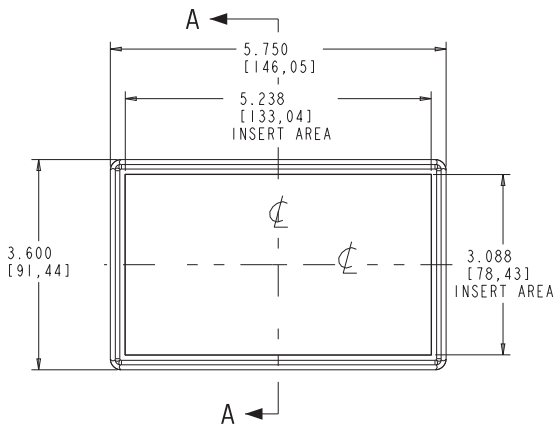
4X ASSEMBLY SCREW  
P/N 60228-01

**HP**

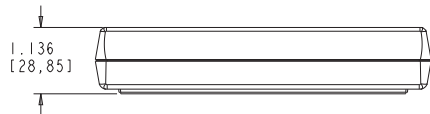
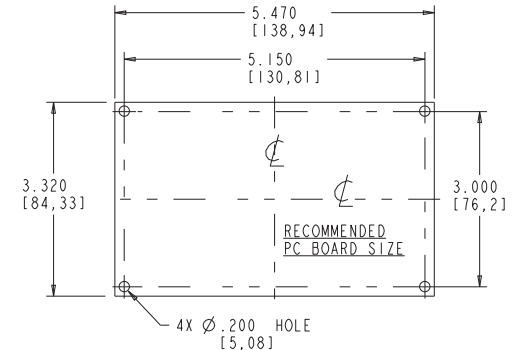
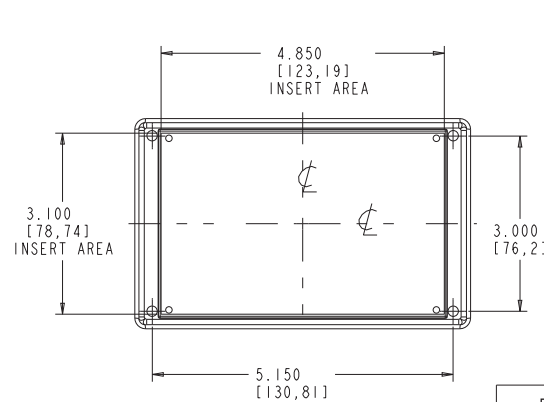


4X ASSEMBLY SCREW  
P/N 60228-01

**HP-BC**



**SECTION A-A**



**PACINTEC®**

1-610-361-4200

**HP , HP-BC**

VISIT **PACINTEC®**  
ON THE WORLD WIDE WEB  
[www.pactecenclosures.com](http://www.pactecenclosures.com)

COLOR / MATERIAL CODE		
COLOR	94HB	94VO
BLACK	000	028
P.C.BONE	039	060

DRAWING NUMBER	REV
60278	B