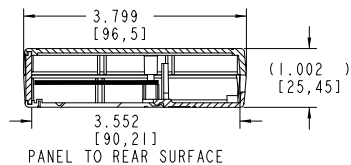
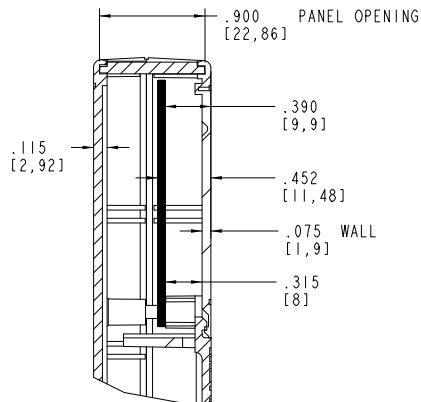
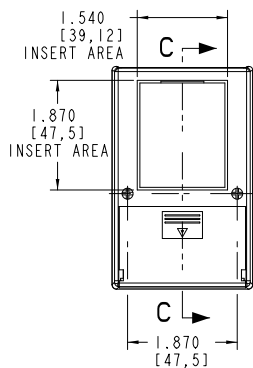


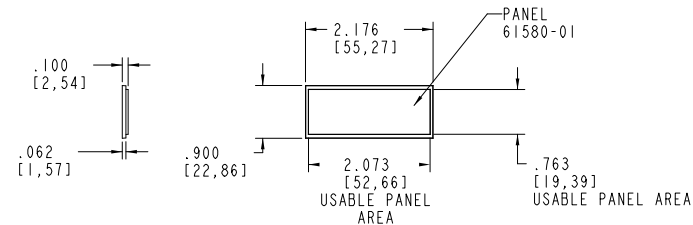
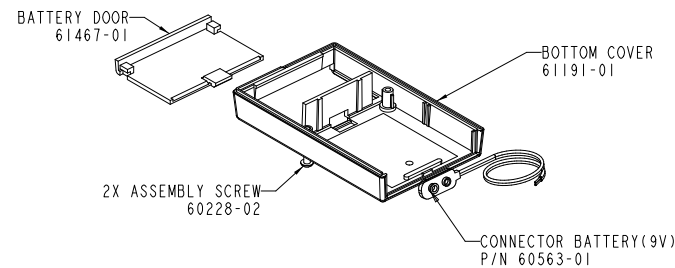
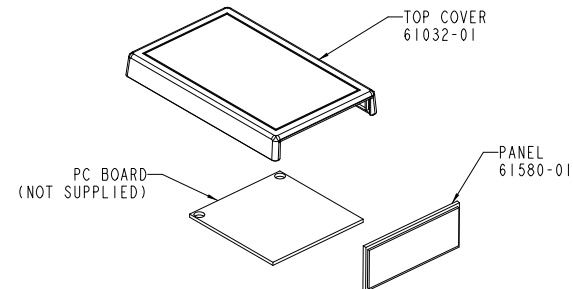
SECTION A-A



SECTION B-B  
PANEL TO REAR SURFACE



SECTION C-C



**PACNTEC®**  
1-610-361-4200

---

**HM-9VB**

---

VISIT **PACNTEC®**  
ON THE WORLD WIDE WEB  
[www.pactecenclosures.com](http://www.pactecenclosures.com)

COLOR / MATERIAL CODE	
COLOR	94HB 94VO
BLACK	000 028
P.C. BONE	039 060

DRAWING NUMBER	REV
61399	C