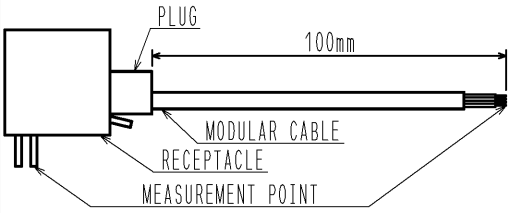


<b>APPLICABLE STANDARD</b>		ANSI/TIA/EIA-568-B.2.10 CAT6a		
RATING	OPERATING TEMPERATURE RANGE	① -25 °C TO 60 °C	STORAGE TEMPERATURE RANGE	-25 °C TO 60 °C
	VOLTAGE	125 V AC	OPERATING HUMIDITY RANGE	95 % MAX
	CURRENT	1 A	APPLICABLE CABLE	AWG# 24 ~ AWG# 27

### SPECIFICATIONS

ITEM	TEST METHOD	REQUIREMENTS	QT	AT
<b>CONSTRUCTION</b>				
GENERAL EXAMINATION	VISUALLY AND BY MEASURING INSTRUMENT.	ACCORDING TO DRAWING.	X	X
MARKING	CONFIRMED VISUALLY.		X	X

<b>ELECTRIC CHARACTERISTICS</b>				
CONTACT RESISTANCE	100 mA (DC OR 1000 Hz AC).	50 mΩ MAX.	X	X
				
INSULATION RESISTANCE	100 V DC.	100 MΩ MIN.	X	X
VOLTAGE PROOF	500 V AC FOR 1 min.	NO FLASHOVER OR BREAKDOWN.	X	X

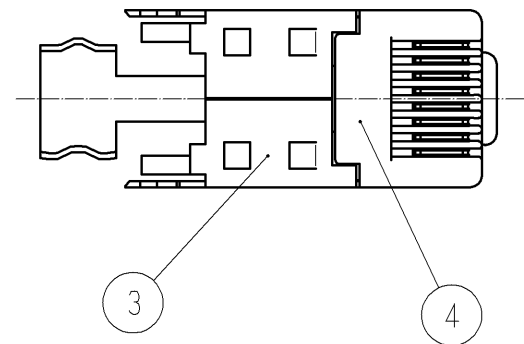
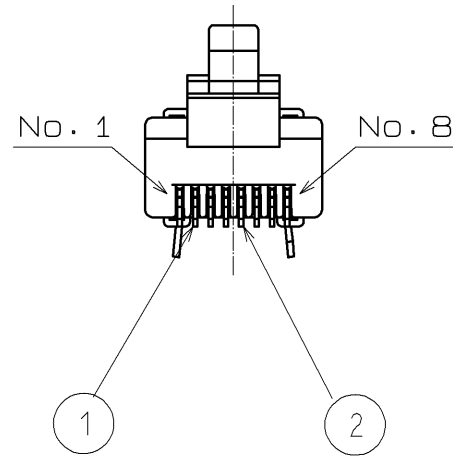
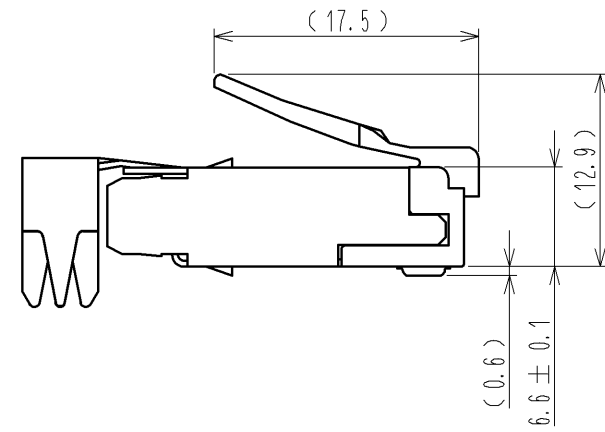
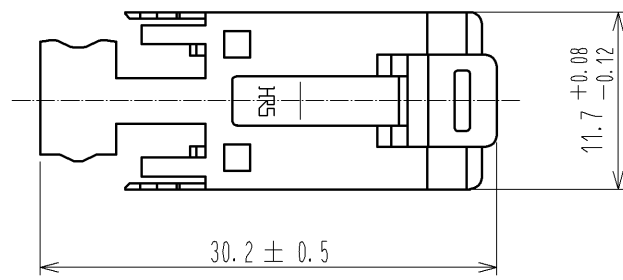
<b>MECHANICAL CHARACTERISTICS</b>				
MECHANICAL OPERATION	200 TIMES INSERTIONS AND EXTRACTIONS.	1)CONTACT RESISTANCE: 70 mΩ MAX. 2)NO DAMAGE, CRACK AND LOOSENESS, OF PARTS.	X	—
VIBRATION	FREQUENCY 10 TO 55Hz, SINGLE AMPLITUDE 0.75 mm, AT 2h, FOR 3 DIRECTIONS.	1)NO ELECTRICAL DISCONTINUITY OF 1 μs. 2)CONTACT RESISTANCE: 70 mΩ MAX. 3)NO DAMAGE, CRACK AND LOOSENESS, OF PARTS.	X	—
SHOCK	490 m/s <sup>2</sup> DIRECTIONS OF PULSE 11 ms AT 3 TIMES FOR 6 DIRECTIONS.		X	—

<b>ENVIRONMENTAL CHARACTERISTICS</b>				
DAMP HEAT (STEADY STATE)	EXPOSED AT 40 °C, 90 TO 95 %, 500h.	1)CONTACT RESISTANCE: 70 mΩ MAX. 2)INSULATION RESISTANCE: 1 MΩ MIN.(AT HIGH HUMIDITY) 10MΩ MIN.(AT DRY) 3)NO DAMAGE, CRACK AND LOOSENESS, OF PARTS.	X	—
RAPID CHANGE OF TEMPERATURE	TEMPERATURE: -55 → 15 TO 35 → 85 → 15 TO 35 °C TIME: 30 → 2 TO 3 → 30 → 2 TO 3 min. UNDER 5 CYCLES.	1)CONTACT RESISTANCE: 70 mΩ MAX. 2)INSULATION RESISTANCE: 100 MΩ MIN. 3)NO DAMAGE, CRACK AND LOOSENESS, OF PARTS.	X	—
CORROSION SALT MIST	EXPOSED IN 5 % SALT WATER SPRAY FOR 48 h.	1)CONTACT RESISTANCE: 70 mΩ MAX. 2)NO DAMAGE, CRACK AND LOOSENESS, OF PARTS.	X	—

- ① THE OPERATION TEMPERATURE INCLUDES THE TEMPERATURE RISE BY CURRENT CARRYING.  
 ② TEMPERATURE RANGE FOR A CONNECTOR UNMATED.  
 ③ USE UNDER THE CONDITION RECOMMENDED BY A CABLE MANUFACTURE.

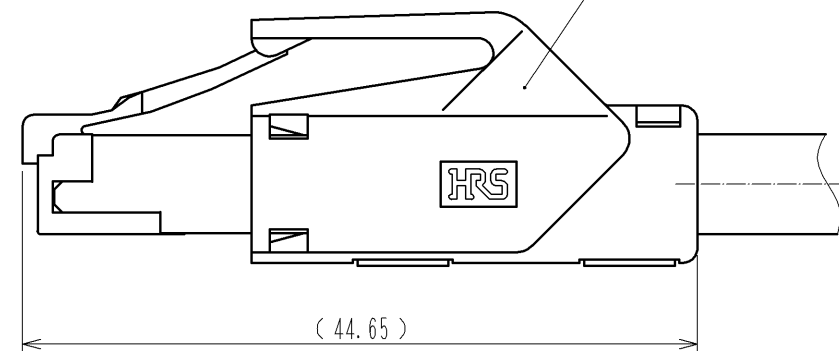
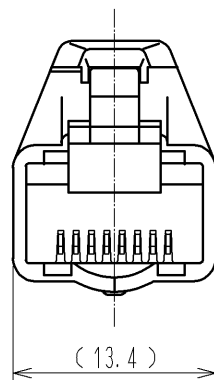
COUNT	DESCRIPTION OF REVISIONS	DESIGNED	CHECKED	DATE
△				
REMARK			APPROVED	YH. ENAMI 09.06.02
			CHECKED	YH. ENAMI 09.06.02
			DESIGNED	MT. ITANO 09.06.02
Unless otherwise specified, refer to JIS C 5402.			DRAWN	MT. ITANO 09.06.02

Note QT:Qualification Test AT:Assurance Test X:Applicable Test		DRAWING NO. ELC4-126868-01	
<b>HRS</b>	SPECIFICATION SHEET	PART NO.	TM31P-TM-88P (01)
	HIROSE ELECTRIC CO., LTD.	CODE NO.	CL222-4626-7-01
			△ 1/1



4 CL222-2862-9-\*\*  
TM21P-88P(\*\*)

COVER(SOLD SEPARATEIL)MATED



1 TABLE-1

APPLICABLE CABLE WIRE		
	CONDUCTOR	AWG#24 STRANDED WIRE ~ AWG#27 STRANDED WIRE
	INSULATOR DIAMETER	( $\phi 0.9 \sim \phi 1.0$ )
JACKET DIAMETER		( $\phi 5.8 \sim \phi 6.0$ )

- NOTES 1 APPLICABLE CABLE IS SHOWN IN TABLE-1  
 2. ( ) INDICATES THE REFERENCE DIMENSIONS.  
 3. TO SATISFY CAT6a PERFORMANCE, PLEASE ASSEMBLE ACCORDING TO HRS INSTRUCTION. (ETAD-E2847)  
 4. COLORS ARE DIFFERENT DEPENDING ON THE SPECIFICATION NUMBER.

2	PHOSPHOR BRONZE	CONTACT: GOLD PLATING 1.27 $\mu$ m MIN LEAD: GOLD PLATING 0.03 $\mu$ m MIN UNDER: NICKEL PLATING 2 $\mu$ m MIN	4	POLYCARBONATE	(YELLOW)UL94V-2			
1	PHOSPHOR BRONZE	CONTACT: GOLD PLATING 1.27 $\mu$ m MIN LEAD: GOLD PLATING 0.03 $\mu$ m MIN UNDER: NICKEL PLATING 2 $\mu$ m MIN	3	STAINLESS STEEL	OVER: NICKEL PLATING 0.5 $\mu$ m MIN			
NO.	MATERIAL	FINISH . REMARKS	NO.	MATERIAL	FINISH . REMARKS			
UNITS mm		SCALE 2 : 1	COUNT $\Delta$	DESCRIPTION OF REVISIONS		DESIGNED	CHECKED	DATE
<b>HRS</b> HIROSE ELECTRIC CO., LTD.		APPROVED : YH. ENAMI 09.06.02	DRAWING NO. EDC3-126868-01					
		CHECKED : YH. ENAMI 09.06.02	PART NO. TM31P-TM-88P(01)					
		DESIGNED : MT. ITANO 09.06.02	CODE NO. CL222-4626-7-01					
		DRAWN : MT. ITANO 09.06.02						

APPLICABLE STANDARD		ANSI/TIA/EIA-568-B.2.10 CAT6a		
RATING	OPERATING TEMPERATURE RANGE	① -25 °C TO 60 °C	STORAGE TEMPERATURE RANGE	-25 °C TO 60 °C
	VOLTAGE	125 V AC	OPERATING HUMIDITY RANGE	95 % MAX
	CURRENT	1 A	APPLICABLE CABLE	—

### SPECIFICATIONS

ITEM	TEST METHOD	REQUIREMENTS	QT	AT
------	-------------	--------------	----	----

#### CONSTRUCTION

GENERAL EXAMINATION	VISUALLY AND BY MEASURING INSTRUMENT.	ACCORDING TO DRAWING.	X	X
MARKING	CONFIRMED VISUALLY.		X	X

- ① THE OPERATION TEMPERATURE INCLUDES THE TEMPERATURE RISE BY CURRENT CARRYING.  
 ② TEMPERATURE RANGE FOR A CONNECTOR UNMATED.  
 ③ USE UNDER THE CONDITION RECOMMENDED BY A CABLE MANUFACTURE.

	COUNT	DESCRIPTION OF REVISIONS	DESIGNED	CHECKED	DATE
△					

REMARK	APPROVED	YH. ENAMI	09.06.02
	CHECKED	YH. ENAMI	09.06.02
	DESIGNED	MT. ITANO	09.06.02
	DRAWN	MT. ITANO	09.06.02

Unless otherwise specified, refer to JIS C 5402.

Note QT:Qualification Test AT:Assurance Test X:Applicable Test	DRAWING NO.	ELG4-126868-02
--	-------------	----------------

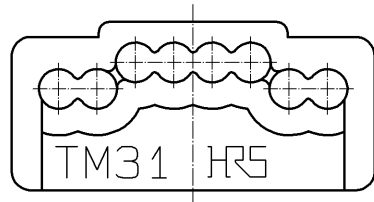
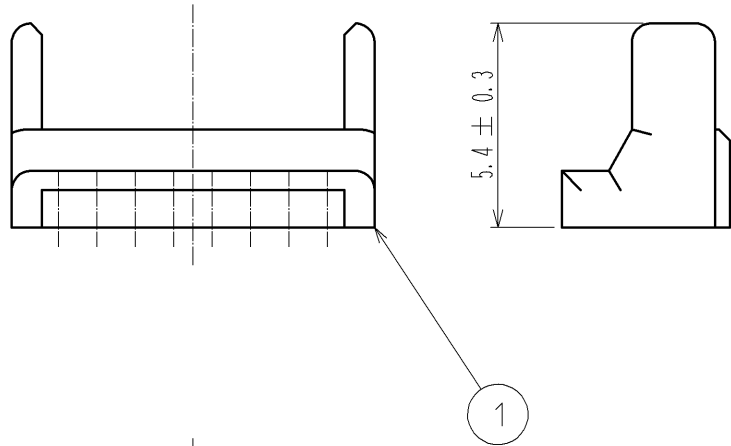
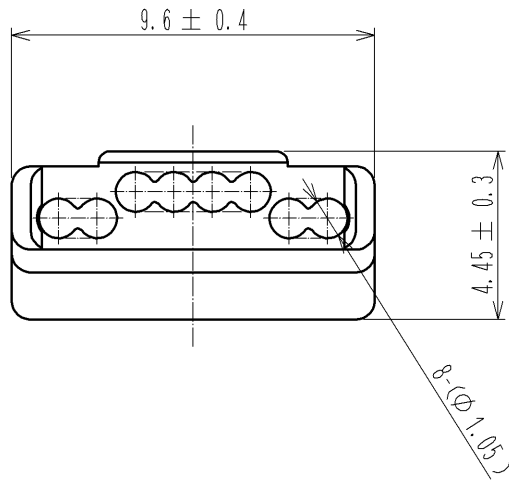
<b>HRS</b>	SPECIFICATION SHEET	PART NO.	TM31P-TM-88P (02)	
	HIROSE ELECTRIC CO., LTD.	CODE NO.	CL222-4626-7-02	△ 1/1

2009/06/02 20:05:04 MT. ITANO

A  
B  
C  
D  
E

A  
B  
C  
D  
E

1 2 3 4



1	POLYCARBONATE	(YELLOW)UL94V-2						
NO.	MATERIAL	FINISH . REMARKS	NO.	MATERIAL	FINISH . REMARKS			
UNITS mm		SCALE 5 : 1	COUNT 	DESCRIPTION OF REVISIONS		DESIGNED	CHECKED	DATE
<b>HIROSE ELECTRIC CO., LTD.</b>		APPROVED : YH. ENAMI	09.06.02	DRAWING NO.		EDC3-126868-02		
		CHECKED : YH. ENAMI	09.06.02	PART NO.		TM31P-TM-88P(02)		
		DESIGNED : MT. ITANO	09.06.02	CODE NO.		CL222-4626-7-02		
		DRAWN : MT. ITANO	09.06.02			<span style="border: 1px solid black; padding: 2px;">1/1</span>		

F