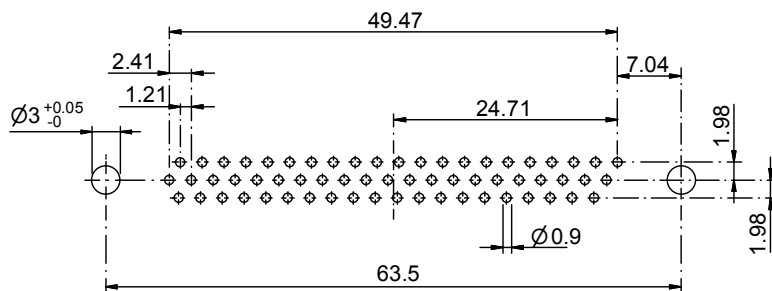
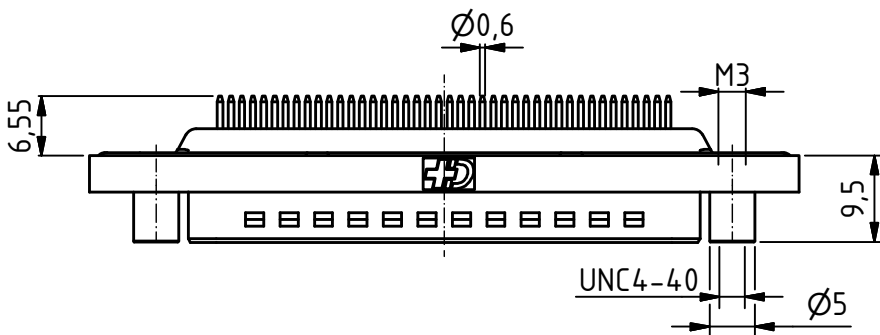
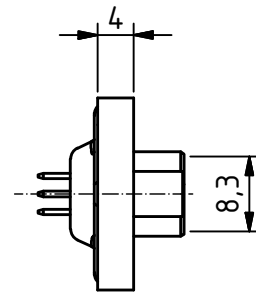
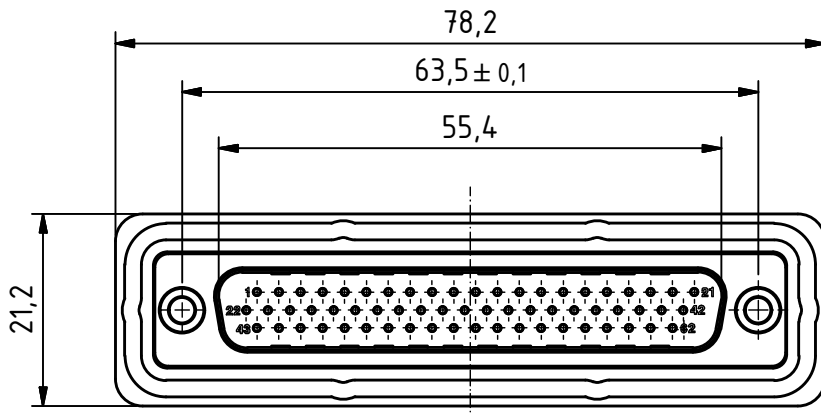
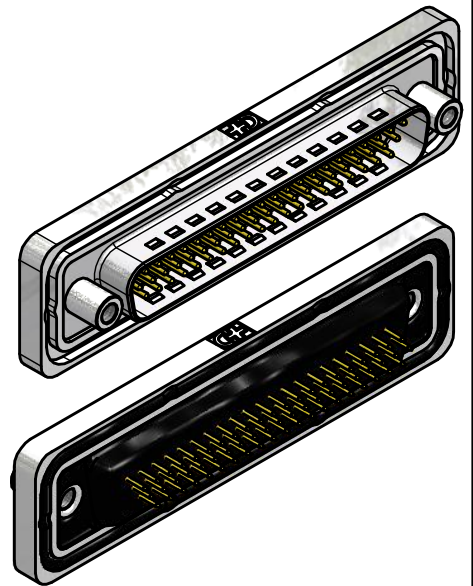


RoHS compliant



PCB Layout tolerances +/-0.1



Waterproof IP68
Frame with O-ring sealing for front panel mounting

MATERIALS

- Insulator: Thermoplastic UL 94-V-0 white
- Frame: Zinc diecasting nickel plated
- Contact: Copper alloy
- Contact finish: Quality class 2
- Shell: steel tin plated

CHARAKTERISTICS

- Working voltage: 60V
- Current rating: 3A
- Contact resistance: max. 10mΩ - DIN41652
- Insulation resistance: >5GΩ
- Temperature range: -55° to +125°C

General tolerances (Deltron standard)	
size in mm	
> 0.5	> 30
up to 3	up to 6
up to 6	up to 30
up to 30	up to 120
tolerances	
±0.1	±0.2
±0.2	±0.3

modification	Rev.	Rev.	Rev.	DE017223		
	Rev.	Rev.	Rev.	part no.		
HD-DWM62PY/2M95UN	1.2:1 scale	drawn	01.03.2016	mw		
		checked				
		approved				
 Industrie Neuhofer 8c CH-3422 Kirchberg		K062456 drawing no.				