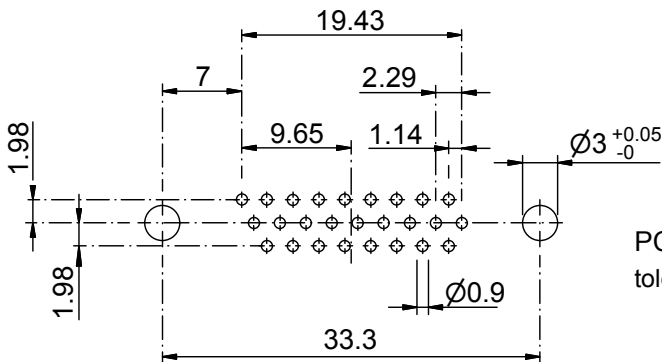
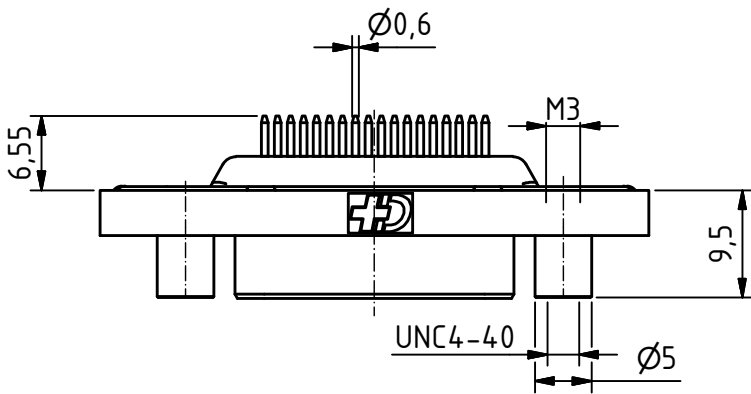
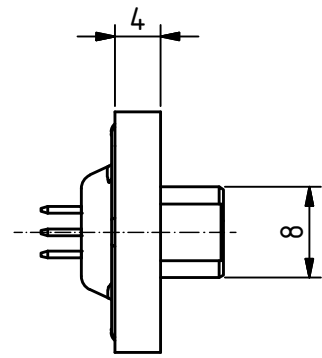
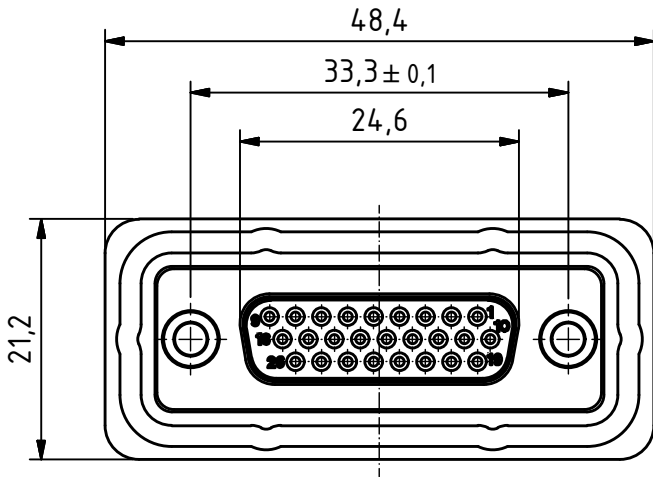
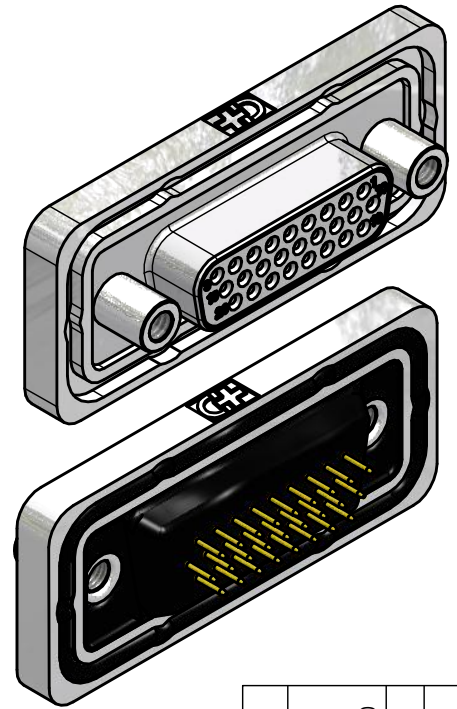


RoHS compliant



PCB Layout tolerances +/-0.1



Waterproof IP68  
Frame with O-ring sealing for front panel mounting

**MATERIALS**

- Insulator: Thermoplastic UL 94-V-0 white
- Frame: Zinc diecasting nickel plated
- Contact: Copper alloy
- Contact finish: Quality class 2
- Shell: steel tin plated

**CHARAKTERISTICS**

- Working voltage: 60V
- Current rating: 3A
- Contact resistance: max. 10mΩ - DIN41652
- Insulation resistance: >5GΩ
- Temperature range: -55° to +125°C

General tolerances (Deltron standard)	
size in mm	tolerances
> 0.5	±0.1
up to 3	±0.2
> 3 up to 6	±0.2
> 6 up to 30	±0.2
> 30 up to 120	±0.3

modification	Rev.	Rev.	Rev.	DE017220 part no.		
	Rev.	Rev.	Rev.			
HD-DWM26SY/2M95UN	1.5:1 scale	drawn	01.03.2016	mw		
		checked				
		approved				
 Industrie Neuhof 8c CH-3422 Kirchberg		K062444 drawing no.				