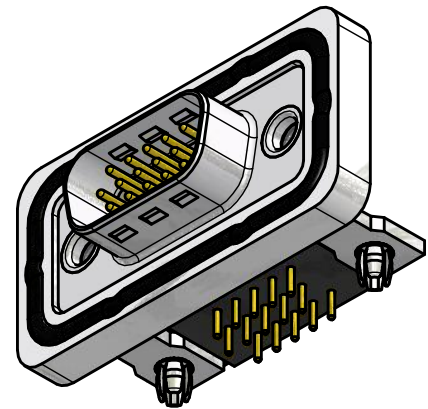
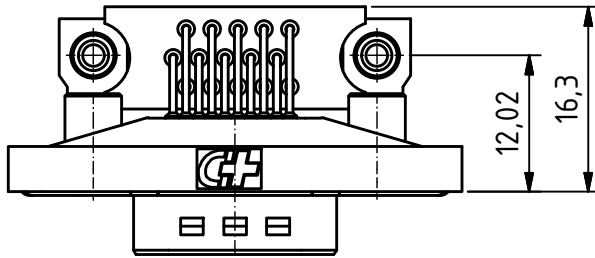
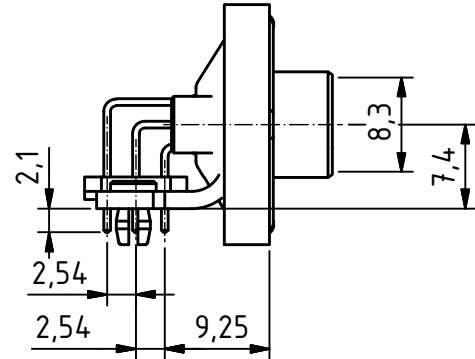
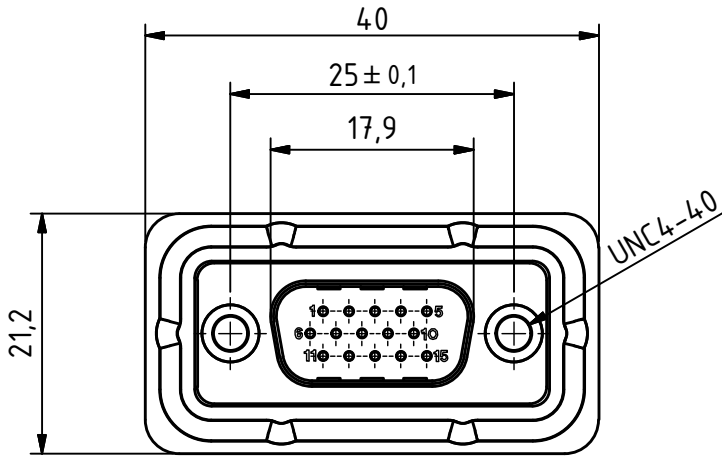
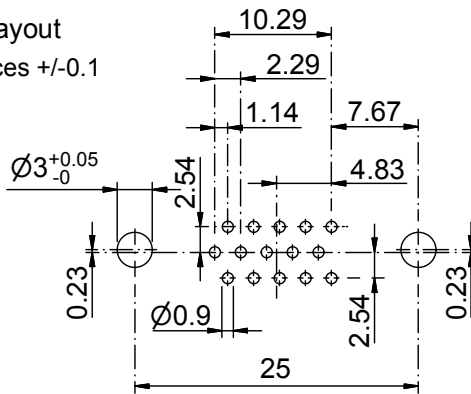


RoHS compliant



PCB Layout
tolerances +/-0.1



Waterproof IP68
Frame with O-ring sealing for back panel mounting

MATERIALS

- Insulator: Thermoplastic UL 94-V-0 white
- Frame: Zinc diecasting nickel plated
- Contact: Copper alloy
- Contact finish: Quality class 2
- Shell: steel tin plated

CHARAKTERISTICS

- Working voltage: 60V
- Current rating: 3A
- Contact resistance: max. 10mΩ - DIN41652
- Insulation resistance: >5GΩ
- Temperature range: -55° to +125°C

General tolerances (Deltron standard)		
size in mm		
> 0.5	> 3	> 30
up to 3	up to 6	up to 120
tolerances		
±0.1	±0.2	±0.3

modification	Rev.	Rev.	Rev.	DE017086		
	Rev.	Rev.	Rev.	part no.		
HD-DWM15PYC/2M47UN	1.5:1 scale	drawn	19.11.2015	mw		
		checked				
		approved				
 Industrie Neuhofer 8c CH-3422 Kirchberg		K062360 drawing no.				