

Encoder WDG 58B



- Clamping flange
 - Rugged industrial standard encoder
 - Protection to IP67, shaft sealed to IP65
 - Maximum mechanical and electrical safety
 - With control output
 - Optional: -40°C ... +80°C
- www.wachendorff.de/wdg58b-engl

Application field

Electric motors, machine tools, weigh scales, conveyors, printing machines, drives, textile machines, production lines, injection-moulding machines, test machines, elevators/lifts, doors and gates.

Available PPR up to 25000

Mechanical Data

Housing

- Clamping flange: Aluminium
- Housing: Aluminium, powder coated
- Cam mounting: pitch \varnothing 69 mm

Shaft

- Material: stainless steel
- Load on shaft end: max. 220 N radial, max. 120 N axial
- Starting torque: approx. 1 Ncm at ambient temperature

Bearings

- Type: 2 precision ball bearings
- Service life: 10^9 revs. at 100% of full rated shaft load, 10^{10} revs. at 40%, 10^{11} revs. at 20%

Operating speed: 8.000 rpm

Weight: approx. 250 g

Connections: Shielded cable or connector

Protection rating: IP67, shaft sealed to IP65 (EN 60529)

Operating temperature: -20... +80°C, 1Vss: -10... +70°C

Storage temperature: -30... +80°C

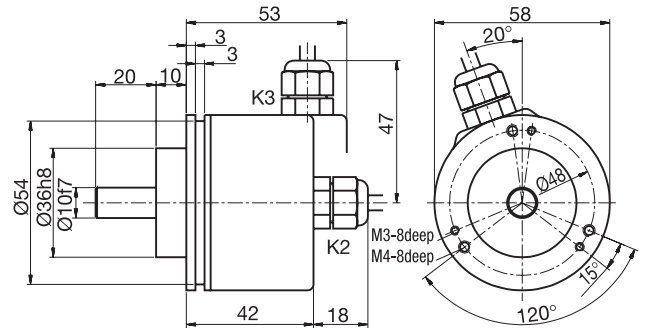
Electrical Data

Power supply	Output circuit	Key	Output circuit*	Key
10-30 VDC	HTL	G24	HTL, inv.	I24
5 VDC	TTL	G05	RS422, TTL comp.	I05
5-30 VDC	HTL	H30	HTL, inv.	R30
10-30 VDC	-	-	RS422, TTL comp.	245
5 VDC	-	-	1 Vss Sin./Cos.	SIN

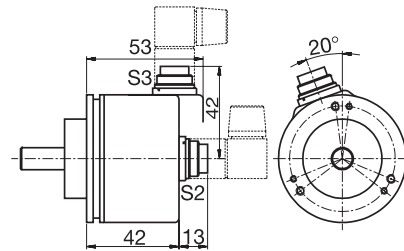
*Only for cable or connector:

K2, L2, K3, L3, S4, S5, SB8, SC8, SB12, SC12

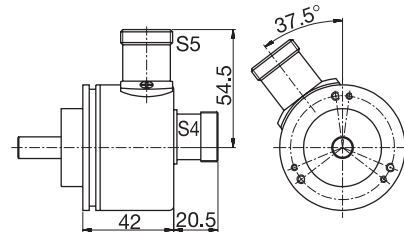
Cable connection

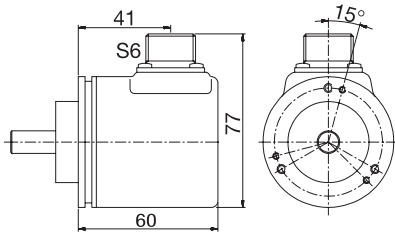
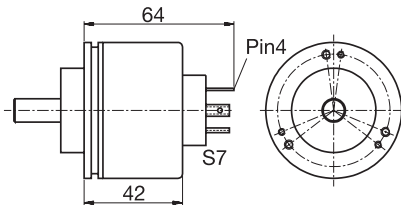
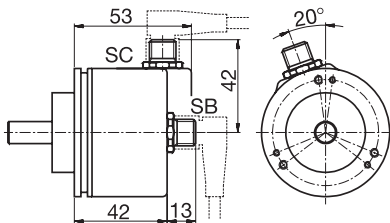


Connector S2, S3, 7-pin



Connector S4, S5, 12-pin



MIL-connector S6, 6-pin

Valve-connector S7, 4-pin

Sensor-connector (M12x1) SB, SC, 4-, 5-, 8-, 12-pin


All dimensional specifications in mm.
 Further technical information on www.wachendorff.de/gtd
 Matching accessories on www.wachendorff.de/acs

Ordering information:

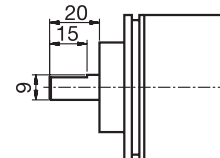
Output circuit: G24 = 10-30 VDC, HTL G05 = 5 VDC, TTL H30 = 5-30 VDC, HTL	Output circuit inv.: I24 = 10-30 VDC, HTL I05 = 5 VDC, RS422 TTL comp. R30 = 5-30 VDC, HTL 245 = 10-30 VDC, RS422 TTL comp. SIN = 5 V, 1 Vss Sinus (only to 1024 and 2048 PPR)	Electrical connections: Cable: K2 = axial, 2 m, shield not connected (standard) L2 = axial, 2 m, shield connected to encoder housing K3 = radial, 2 m, shield not connected (standard) L3 = radial, 2 m, shield connected to encoder housing Connector: S2 = 7-pin axial S3 = 7-pin radial S4 = 12-pin axial S5 = 12-pin radial S6 = 6-pin radial S7 = 4-pin axial SB4 = 4-pin axial SC4 = 4-pin radial SB5 = 5-pin axial SC5 = 5-pin radial SB8 = 8-pin axial SC8 = 8-pin radial SB12 = 12-pin axial SC12 = 12-pin radial Please note the connection configuration under "General technical data", Page 122	Options: Empty = without option Low-temperature -40°C...+80°C = ACA Shaft with flat = AAF Low-friction bearings = AAC Shaft sealed to IP 67 = AAO Cable length = in decimetres
Channels: AB, ABN (SIN: AB)			
Pulses per revolution: 2, 10, 15, 20, 24, 36, 40, 48, 50, 60, 64, 72, 87, 90, 100, 120, 125, 127, 128, 150, 160, 180, 200, 216, 240, 250, 254, 256, 300, 314, 320, 360, 400, 500, 512, 571, 600, 625, 720, 750, 768, 800, 810, 900, 1000, 1024, 1200, 1250, 1270, 1440, 1500, 1800, 2000, 2048, 2400, 2500, 3000, 3600, 4000, 4096, 4685, 5000. Other PPR's on request			
Order No.: Example <input type="text" value="WDG 58B"/> <input type="text" value="500"/> <input type="text" value="ABN"/> <input type="text" value="G24"/> <input type="text" value="K3"/> <input type="text" value=""/>			
Your encoder <input type="text" value="WDG 58B"/> <input type="text" value=""/> <input type="text" value=""/> <input type="text" value=""/> <input type="text" value=""/> <input type="text" value=""/>			

Options:
Low-temperature:

The encoder WDG 58B with the output switches G24, I24, G05, I05 and 245 is also available with the extended temperature range -40°C...+80°C (measured at the flange). When ordering please add the suffix code - ACA.

Shaft with flat:

The encoder WDG 58B can be supplied with a shaft with flat. When ordering please add the suffix code - AAF.



Drawing 58B-AAF

Low-friction bearings:

The encoder WDG 58B is also available as a particularly smooth-running low-friction encoder. The starting torque is thereby changed to < 0,5 Ncm and the protection class at the shaft input to IP50. When ordering please add the suffix code - AAC.

Shafts sealed to IP67:

The encoder WDG 58B can be supplied in a full IP67 version. When ordering please add the suffix code - AAO.

Max. RPM	Permitted Shaft-Loading axial	Permitted Shaft-Loading radial	Max. PPR (no 1Vss)	Starting-torque
3.500	100N	110N	2.500	ca. 4 Ncm

Amended specifications for shaft sealed to IP67.

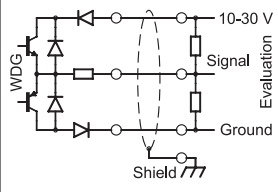
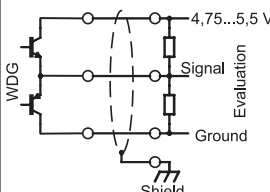
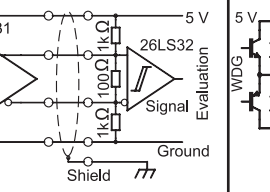
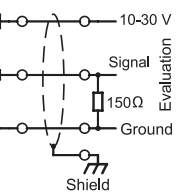
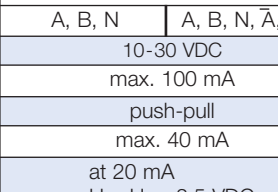
Cable length:

The encoder WDG 58B can be supplied with more than 2 m cable. Please extend the standard order code with a three figure number, specifying the cable length in decimetres.

High resolution Encoder WDG



Output circuits / Electrical Data

Key	F24 (HTL)	P24 (HTL)	F05 (TTL)	P05 (RS422 TTL)	645 (RS422 TTL)
Output circuit					
Channels	A, B, N	A, B, N, \bar{A} , \bar{B} , \bar{N}	A, B, N	A, B, N, \bar{A} , \bar{B} , \bar{N}	A, B, N, \bar{A} , \bar{B} , \bar{N}
Power supply	10-30 VDC		4,75-5,5 VDC	4,75-5,5 VDC	10-30 VDC
Current consumption	max. 100 mA		max. 100 mA	max. 100 mA	max. 100 mA
Output	push-pull		push-pull	push-pull	push-pull
Load	max. 40 mA		max. 40 mA	max. 40 mA	max. 40 mA
Signal level	at 20 mA $H > U_B - 2,5 \text{ VDC}$ $L < 2,5 \text{ VDC}$		at 20 mA $H > 2,5 \text{ VDC}$ $L < 0,5 \text{ VDC}$	at 20 mA $H > 2,5 \text{ VDC}$ $L < 0,5 \text{ VDC}$	at 20 mA $H > 2,5 \text{ VDC}$ $L < 0,5 \text{ VDC}$
Pulse frequency	max. 600 kHz		max. 2 MHz	max. 2 MHz	max. 2 MHz
Circuit protection	yes		no	no	no
Early-warning output	no		no	no	no

Ordering information:

Output circuit: F24 = 10-30 VDC, HTL F05 = 5 VDC, TTL	Output circuit inv.: P24 = 10-30 VDC, HTL P05 = 5 VDC, RS422 TTL comp. 645 = 10-30 VDC, RS422 TTL comp.	Electrical connections: Cable: K2 = axial, 2 m [6.562ft], shield not connected (standard) L2 = axial, 2 m [6.562ft], shield connected to encoder housing K3 = radial, 2 m [6.562ft], shield not connected (standard) L3 = radial, 2 m [6.562ft] shield connected to encoder housing Steckerabgang: S2 = 7-pin axial SB4 = 4-pin axial S3 = 7-pin radial SC4 = 4-pin radial S4 = 12-pin axial SB5 = 5-pin axial S5 = 12-pin radial SC5 = 5-pin radial S6 = 6-pin radial SB8 = 8-pin axial S7 = 4-pin axial SC8 = 8-pin radial SB12 = 12-pin axial SC12 = 12-pin radial Please note the connection configuration under "General technical data".
Channels: AB, ABN		
Pulses per revolution: 10000, 12500, 20000, 25000.		
Hollow shaft diameter for WDG58H and WDG58E: 8, 10, 12, (14 only WDG58H) Other diameters on request		
Encoders: WDG58A, WDG58B, WDG58C, WDG58D, WDG58K, WDG58H, WDG58E, WDG58V, WDG90B, WDG115T, WDG115M, WDG63B, WDG63Q.		
Order No.: Example WDG58H 8 25000 ABN P24 K3 Your encoder <input type="text"/> <input type="text"/> <input type="text"/> <input type="text"/> <input type="text"/> <input type="text"/>		