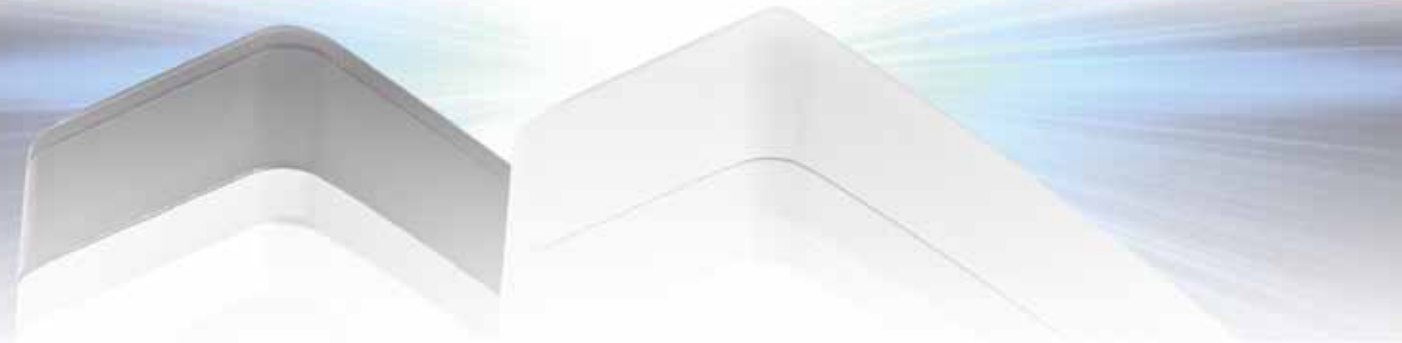




Our *passion* is enclosures.



# handCASE

Mobile handheld enclosures made of aluminium

# Technical data

## handCASE



handCASE



handCASE R



Holding clip and wall bracket



Shoulder strap with protective caps for mobile applications



Battery compartment...



...for internal power supply

**Enclosure:** Die-cast aluminium EN AN-44300 DIN EN 1706 (GD AL SI 12 / DIN 1725). 1° mould slope for casting ejection, internal measures diminishing circulatory towards enclosure bottom by 1°.

**Integrated recess:** In the lid for membrane keypad or front plates

**Components:** Fastening thread M3 in the lid and bottom

**Ingress Protection:** IP66 / EN 60529 - free-fall / DIN EN 60068-2-32

**Gasket:** TPE moulded gasket, silicone-free (-40°C to +120°C)

**Captive screws:** Stainless steel 1.4567 (V2A), captive

**Battery compartment:** ABS, RAL 9005, deep black (-10°C to +50°C)

**handCASE surface:** Lid: Power coating, silver metallic, bottom: RAL 9005, deep black

**handCASE R surface:** Powder coating RAL 7035, light grey

### Optionally available:

**Gasket:** EMC gasket (-55°C to +160°C)  
Silicone gasket (-50°C to +140°C)

**Ingress Protection:** IP67 / EN 60529

**Surface:** Corrosion protection, special colours

**Further options, see delivery overview.**

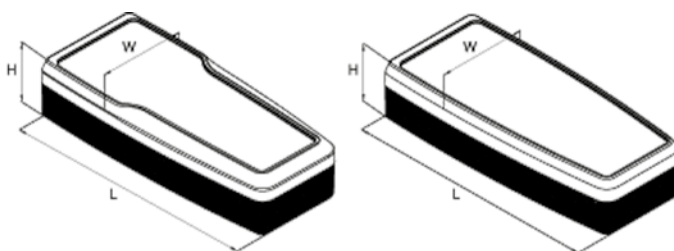
Delivery overview handCASE					
Type	Mat. no.	L	W	H	g
HCF 080	270.080.000	180	80	42,5	450
HCF 081	270.081.000	180	80	42,5	430
HCF 100	270.100.000	220	100	42,5	600
HC 100	271.100.000	220	100	62,5	660

HCF 081/HC 100 without battery compartment

Delivery overview handCASE R					
Type	Mat. no.	L	W	H	g
HCF 080 R	272.080.000	180	80	42,5	450
HCF 081 R	272.081.000	180	80	42,5	430
HCF 100 R	272.100.000	220	100	42,5	600
HC 100 R	273.100.000	220	100	62,5	660

HCF 081 R/HC 100 R without battery compartment

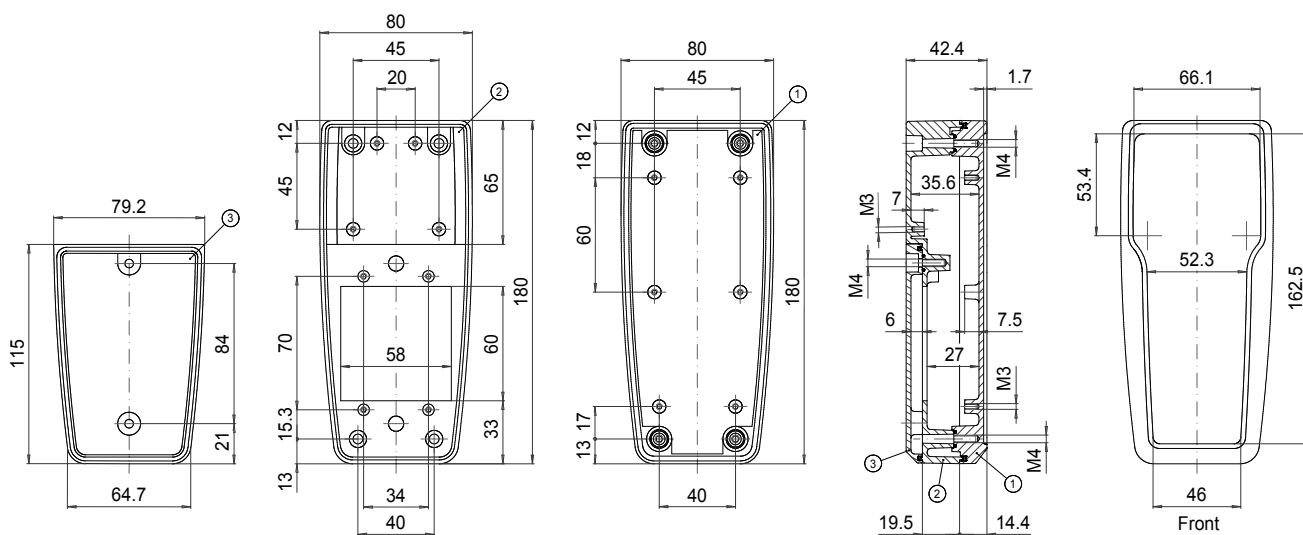
Approvals:



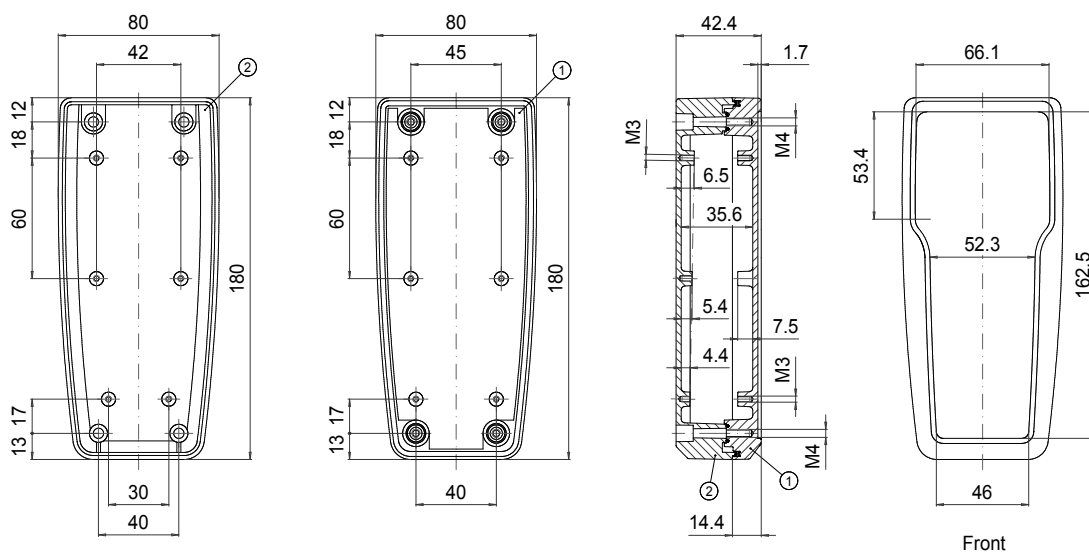
# ROLEC Attachment and mounting dimensions

## handCASE

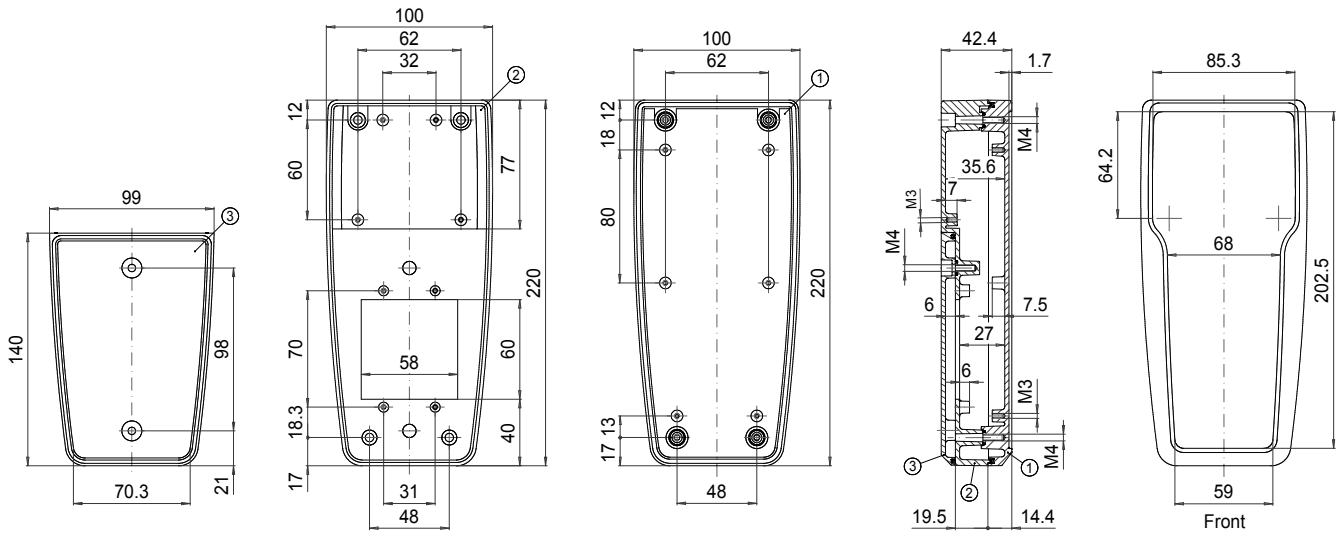
### HCF 080



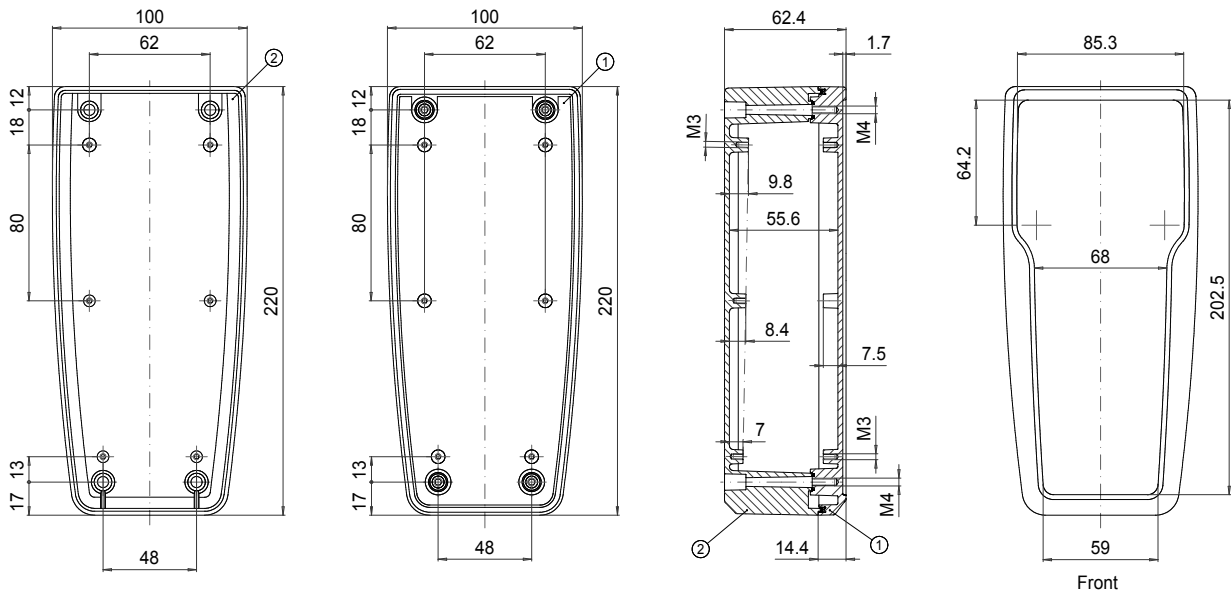
### HCF 081



### HCF 100



### HC 100

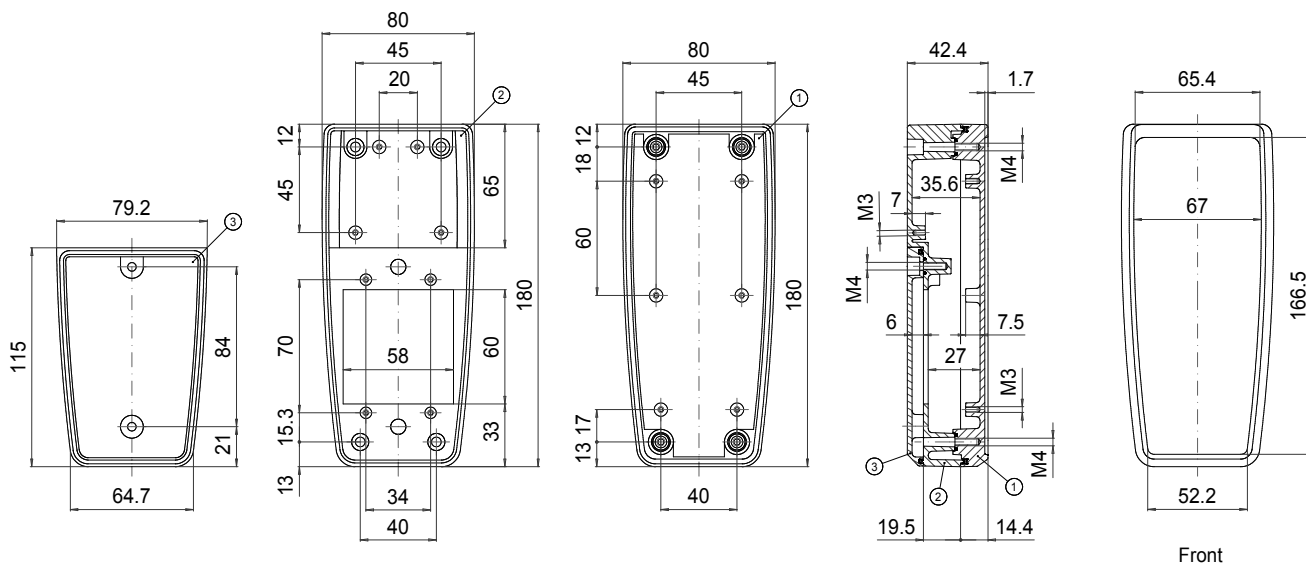


- ① Enclosure lid
- ② Enclosure bottom
- ③ Battery compartment lid

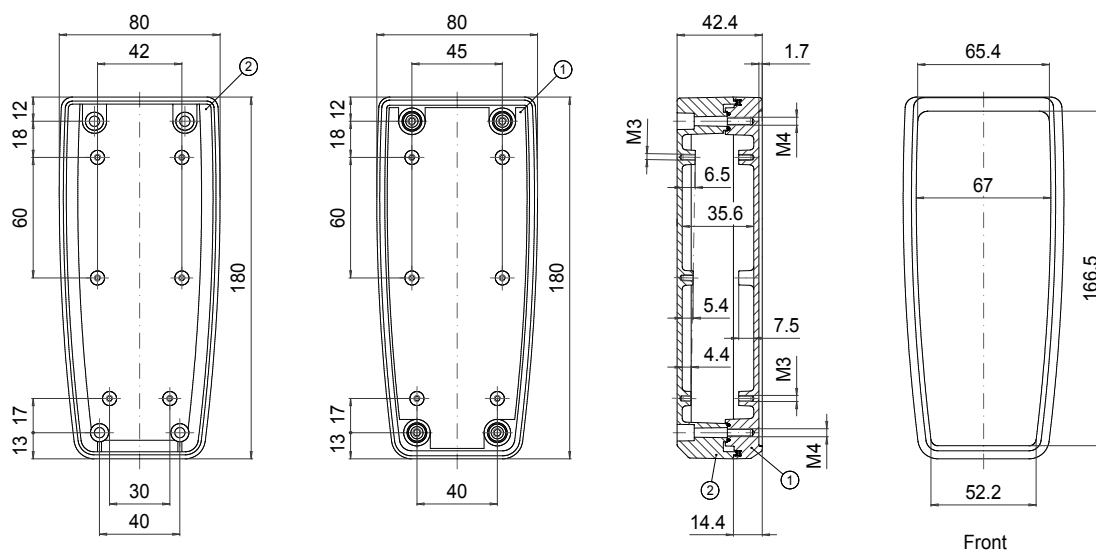
# ROLEC Attachment and mounting dimensions

## handCASE

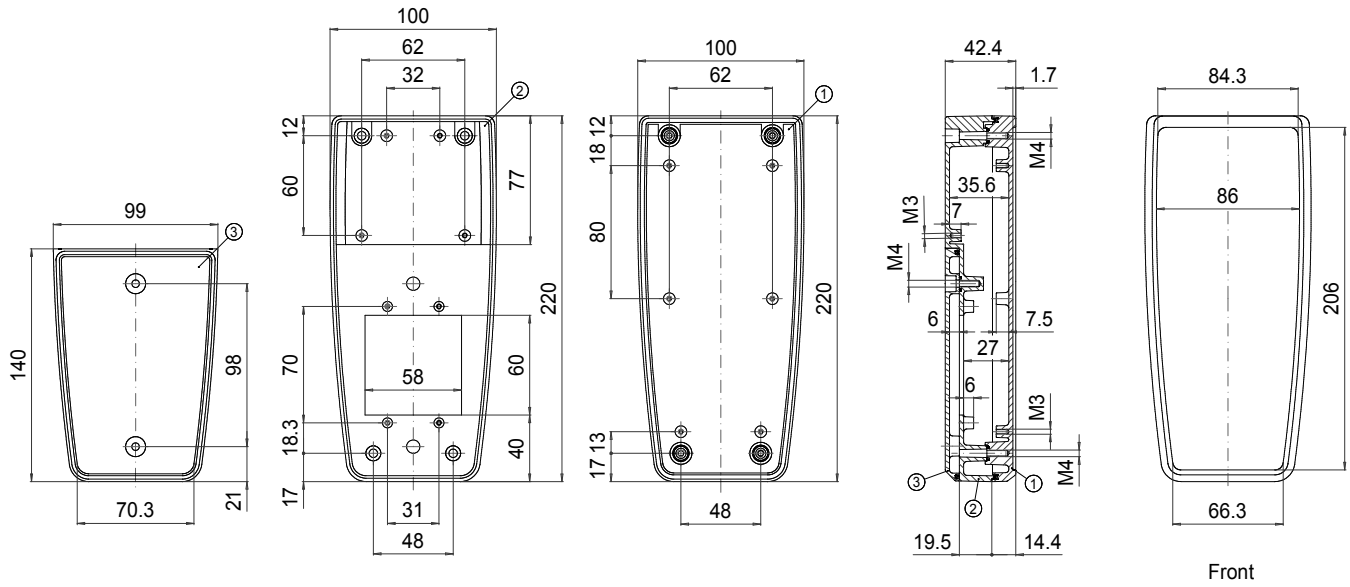
### HCF 080 R



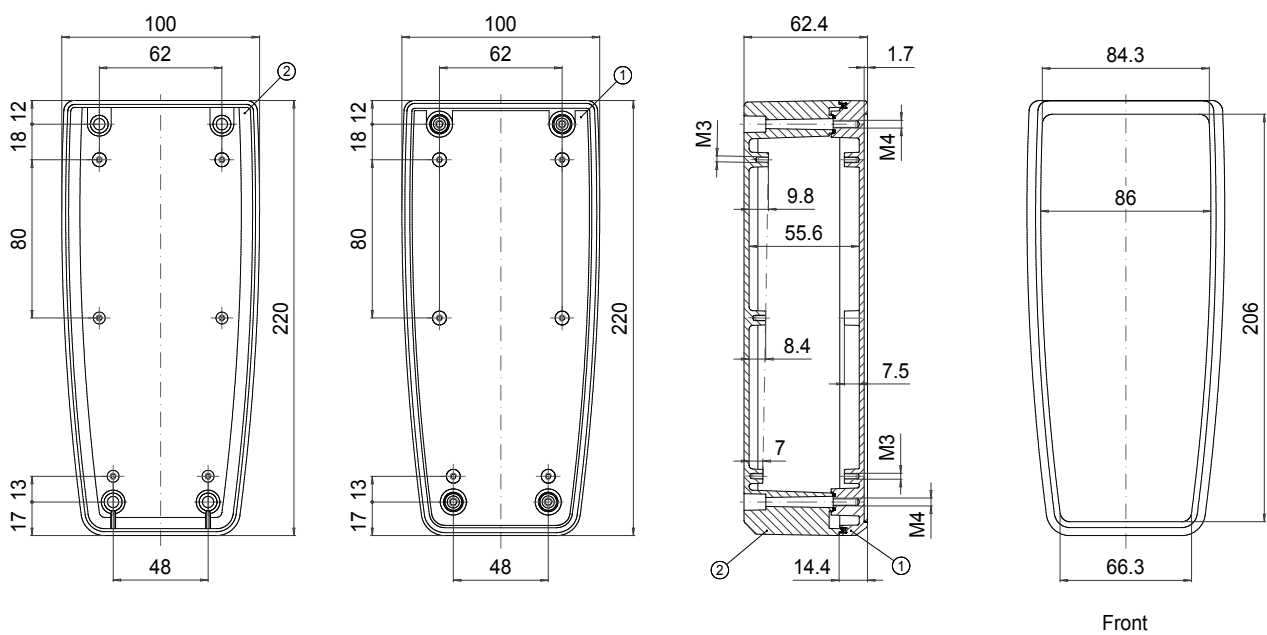
### HCF 081 R



### HCF 100 R



### HC 100 R



- ① Enclosure lid
- ② Enclosure bottom
- ③ Battery compartment lid

