



Model Number

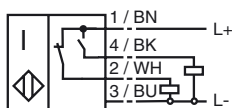
NBN40-U1-A2-T

Features

- Temperature range -25 ... 100 °C
- 40 mm not embeddable
- 4 LEDs indicator for 360° all-round visibility

Connection

A2

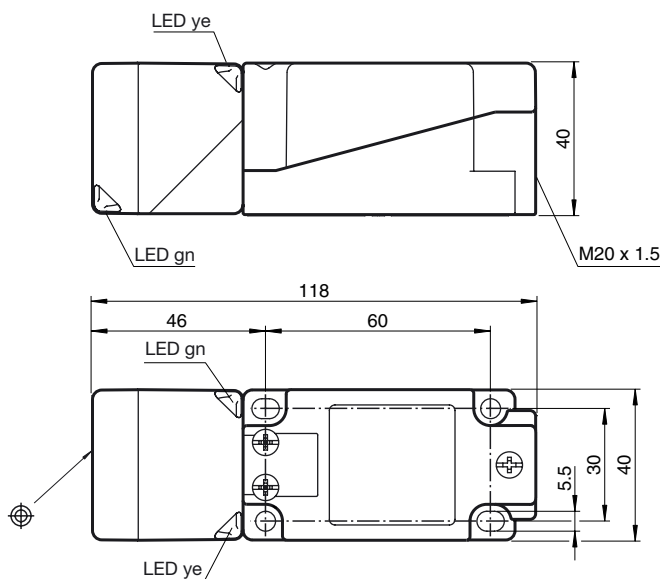


Accessories

MHW 01

Mounting aid

Dimensions



Technical Data

General specifications

Switching element function	PNP	Antivalent
Rated operating distance	s_n	40 mm
Installation	not embeddable	
Output polarity	DC	
Assured operating distance	s_a	0 ... 32.4 mm
Reduction factor r_{Al}	0.31	
Reduction factor r_{Cu}	0.3	
Reduction factor r_{V2A}	0.74	
Reduction factor r_{Brass}	0.39	

Nominal ratings

Operating voltage	U_B	10 ... 30 V
Switching frequency	f	0 ... 250 Hz
Hysteresis	H	typ. 5 %
Reverse polarity protection	protected against reverse polarity	
Short-circuit protection	pulsing	
Voltage drop	U_d	≤ 2 V
Operating current	I_L	0 ... 200 mA
Off-state current	I_r	0 ... 0.5 mA
No-load supply current	I_0	≤ 20 mA
Operating voltage display	LED, green	
Indication of the switching state	LED, yellow	

Standard conformity

Standards	IEC / EN 60947-5-2:2004
-----------	-------------------------

Ambient conditions

Ambient temperature	-25 ... 100 °C (248 ... 373 K)
---------------------	--------------------------------

Mechanical specifications

Connection type	terminal compartment M20, core cross-section $\leq 2,5$ mm ²
Housing material	PA/metal
Sensing face	PA
Protection degree	IP67 / IP69K
Mass	225 g
Note	Tightening torque: 1.8 Nm (housing) Tightening torque: 1.0 Nm (Screw terminal)