

FELLER GMBH

A-2525 GUENSELSDORF, AUSTRIA - TEL.: .. 43(2256) 62 32 50 - FAX: .. 43 (2256) 62 32 57
e-mail: sales@feller-at.com <http://www.feller-at.com>

Description: G50-H05VVF3G150-C19/2,50M SW9005

Rating of power supply cord: 16A/250Vac

1. 1st end preparation: g50

50 mm jacket removed

2. CORD: Type H05VVF3G1,50mm²

BLACK

Flexible cord according to : ÖVE K41a;EN50525;AS 3191;IEC 60227
Marked : *JF*<ÖVE><HAR>H05VVF3G1,5mm2*N1095*CE*CCC 60227
IEC53 (RVV) 300/500 3X1,5*KTL SW01001-2001A
Number of cores : 3
Conductor construction : 29x0,245 mm O.D. 1,52mm
Conductor insulation : Extruded PVC, O.D. 2,90mm, +/-0,06mm
Jacket : Extruded PVC, O.D. 8,20mm, +/-0,20mm
Temperature rating : -20°C up to +70°C
Resistance of conductors : 13,3 Ω/km
Dielectric strength : 2kVac, 1min.
Insulation resistance : >0,010MΩ/km
Color of conductors : yellow/green, brown, blue
Approvals : HARMONIZED, ÖVE, SAA, CCC, KTL

3. CONNECTOR: Type C19

Molded connector according to : EN/IEC 60320/C19, UL817, GB17465.1
Rated current and voltage : 16 A, 250 V AC
Construction : double insulation, contacts crimped
Contacts of the connection : Self adjusting phosphor bronze CuSn 6
Inner insulation : Housing, PPO GFR
Outer mold : PVC compound, hardness Shore A 75-77
Approvals : CE, ENEC, SAA, CCC, KTL

Environmental conformity

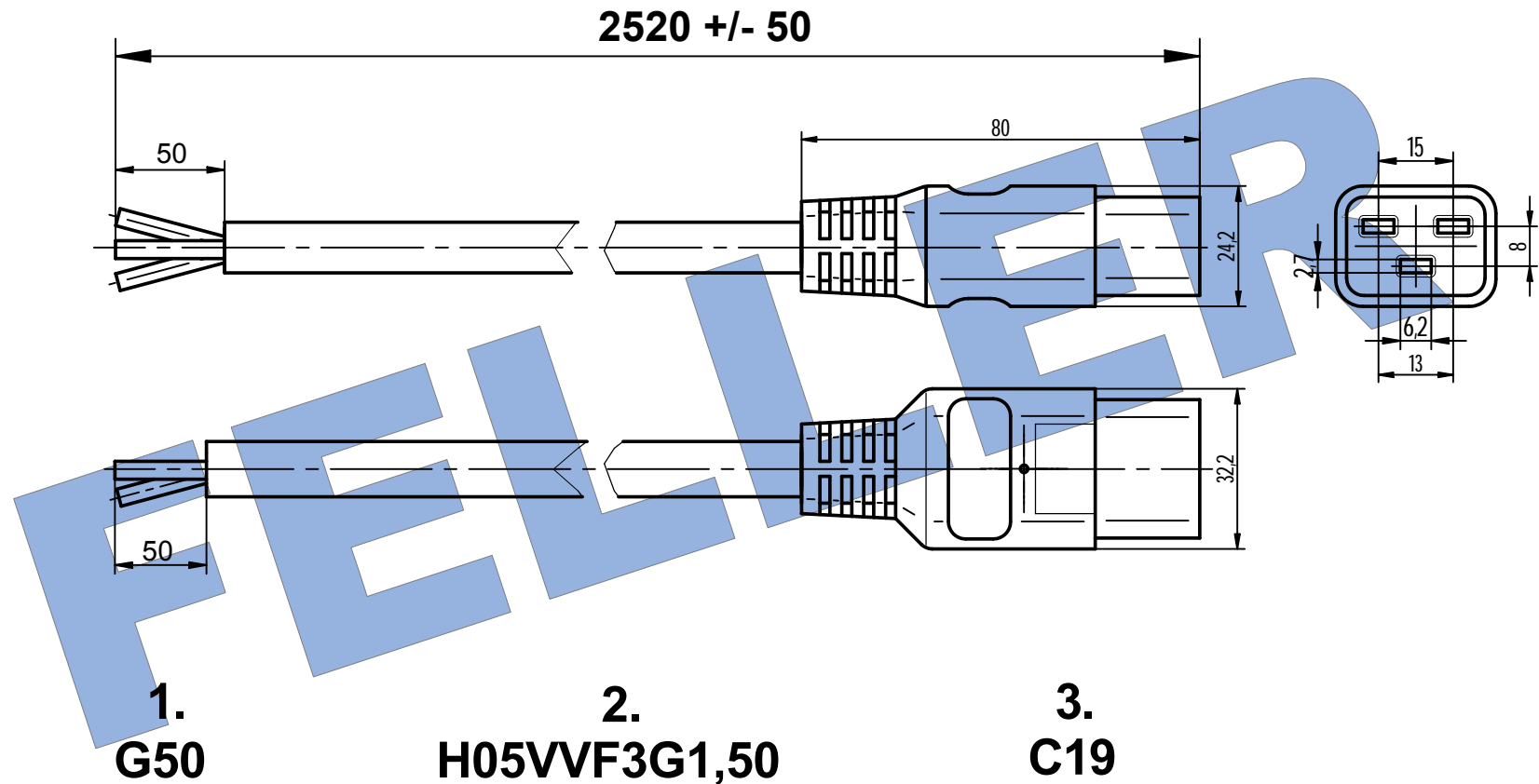
: EU-Directive 2012/19/EU (WEEE)
EU-Directive 2011/65/EU
EU-Directive 1907/2006 EG (REACH -compliant)

TESTING

Electrical testing : 100%
Visual inspection : 100%
High pot test wire to wire : 3kVac for 2 sec.
Continuity test : 25Aac to grounding / 20Aac to line and neutral
Polarity test : yes
Skin high pot test : 6kVac line to skin

design subject to change without prior notice, except written agreements with customer

DATE of ISSUE:	September, 2018
REV: 1	ORIG: DG



Feller Type: G50-H05VVF3G150-C19/2,50M SW9005

PN: 143-30-686

All dimensions in mm

27.09.2018

DG

RoHS compliant

FELLER 

A-2525 Günselsdorf, Austria
 Telefon 0043-2256-62325-0
 Fax: 0043-2256-62325-7
 email: sales@feller-at.com
<http://www.feller-at.com>